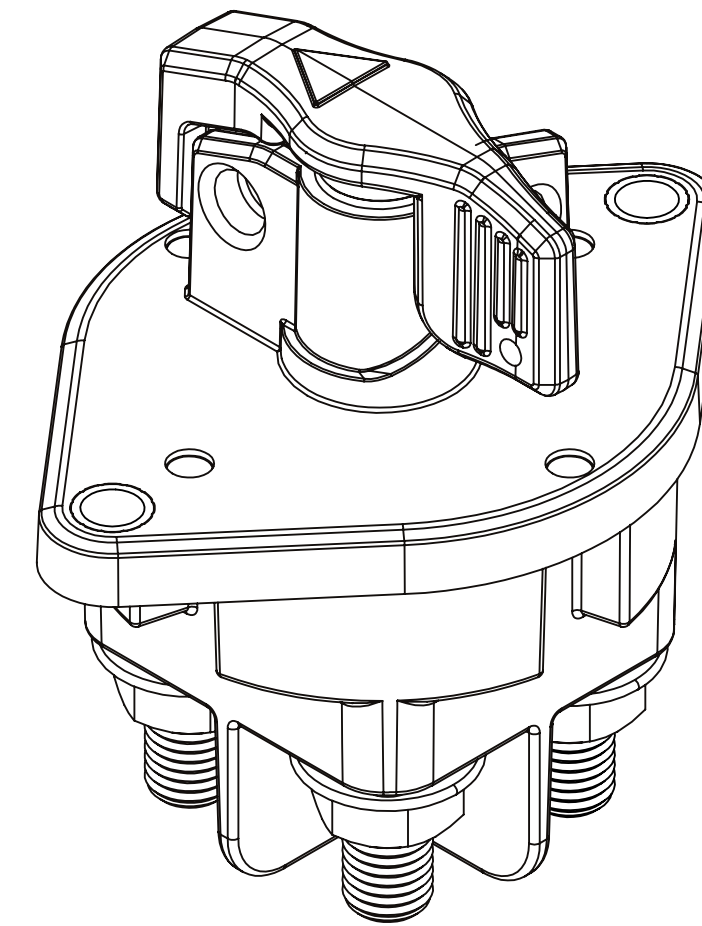
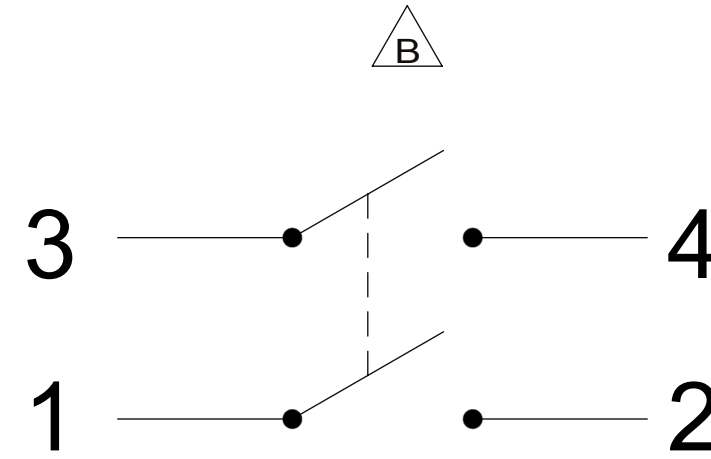


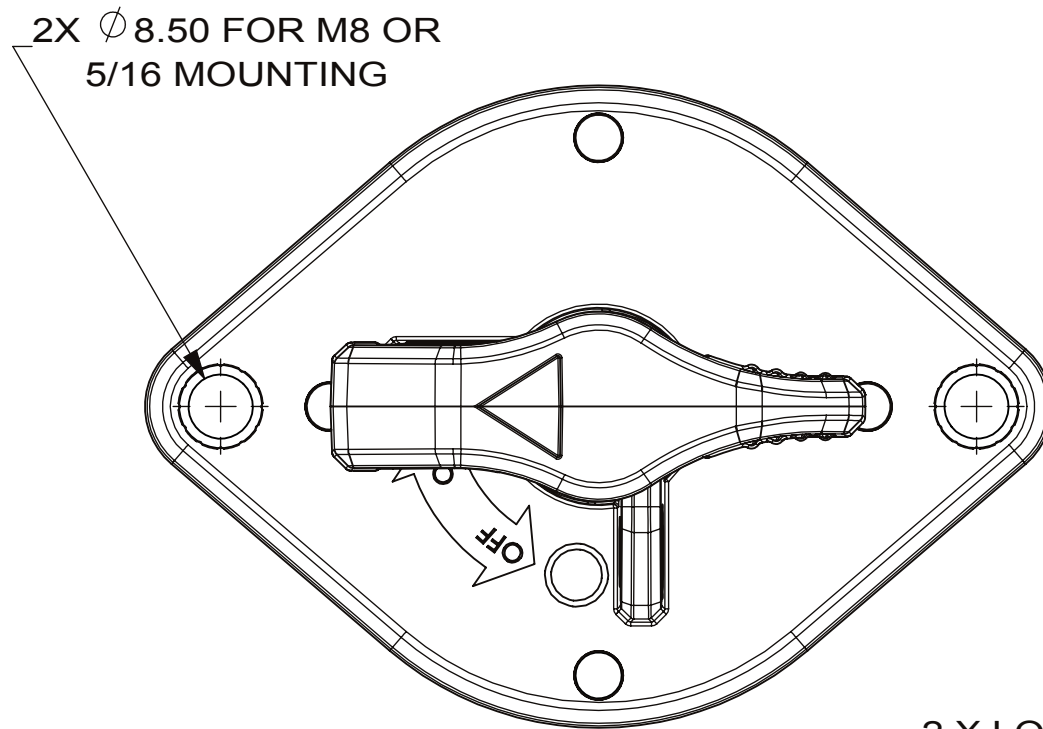
REVISIONS				
ZONE	REV.	DESCRIPTION	DATE	APPROVED
	A	INITIAL DWG RELEASE	4/10/2013	M. MILLSON
	B	PER EC#509902: UPDATED SCHEMATIC	10/21/2013	V.BELOUS
	C	PER EC#510572: CORRECTED BOM ERROR ON THE SECOND PAGE	6/4/2014	J. LIU
	D	PER GCF #518972: ADD NEW P/N FOR RED/YELLOW KNOB AND UPDATE NOTES	02/26/2018	J. LI

- NOTES: (UNLESS OTHERWISE SPECIFIED)
1. ALL DIMENSIONS ARE REFERENCE ONLY
  2. MATERIAL AND FINISHED:
    - HOUSING: THERMOPLASTIC
    - KNOB: THERMOPLASTIC
    - STUD: COPPER TIN PLATED
    - NUT: STAINLESS STEEL
    - INTERNAL BUSBAR: COPPER
  3. INGRESS PROTECTION RATING IS IP67 & IP69K
  4. MAXIMUM CONTINUOUS CURRENT:
    - 500A PER CIRCUIT, WITH 2 x 4/0 INPUT AND 2 x 4/0 OUTPUT CABLES
    - 350A PER CIRCUIT, WITH 1 x 4/0 INPUT AND 1 x 4/0 OUTPUT CABLES
  5. MAXIMUM OPERATING VOLTAGE 48V
  6. TERMINAL STUD SIZE M12X25mm, RECOMMENDED TERMINAL TORQUE 20 Nm
  7. RECOMMENDED MOUNTING TORQUE 15Nm
  8. OPERATING TEMPERATURE RANGE: -50 °C TO +85 °C, DC-RATED TO 105°C

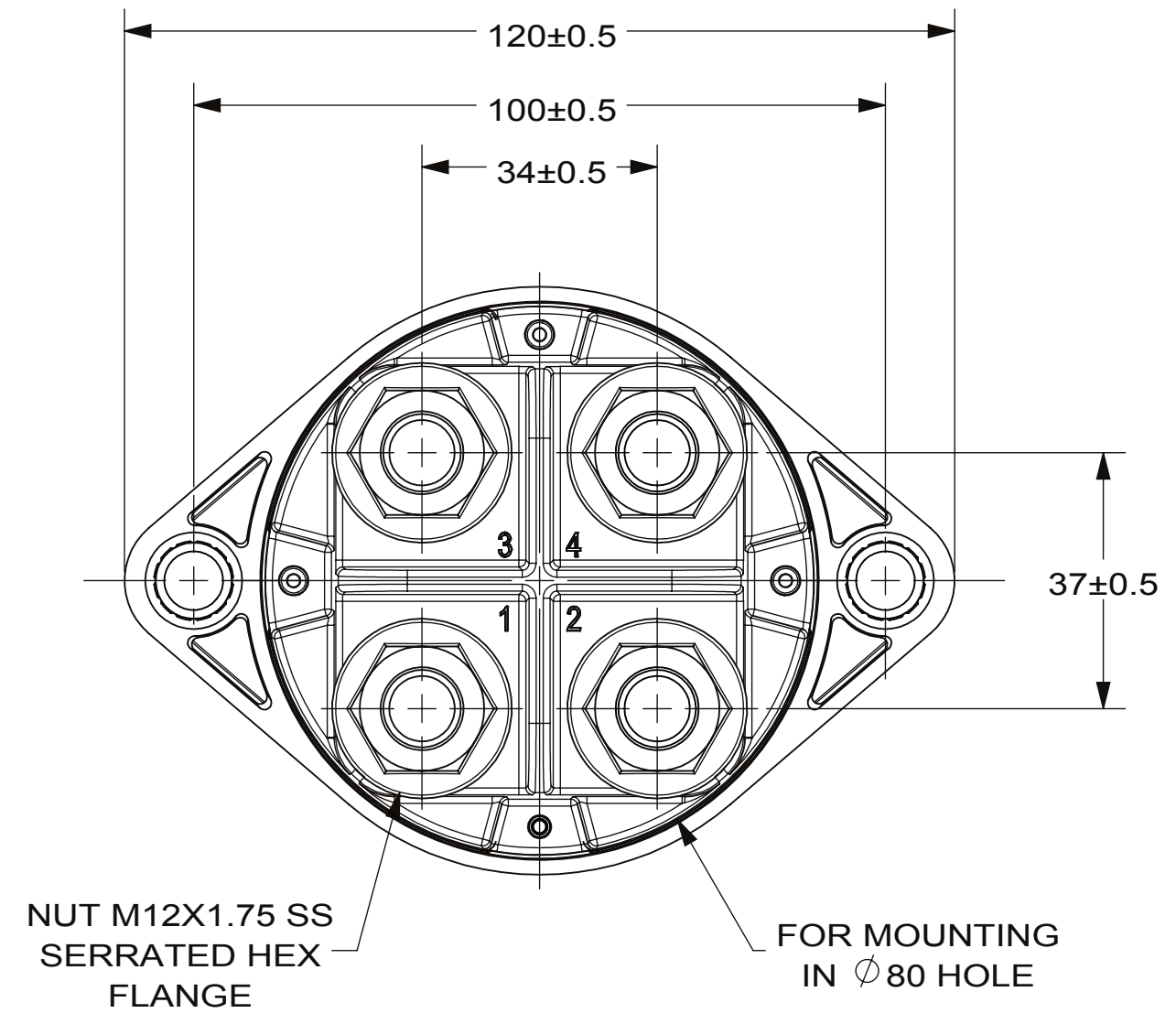
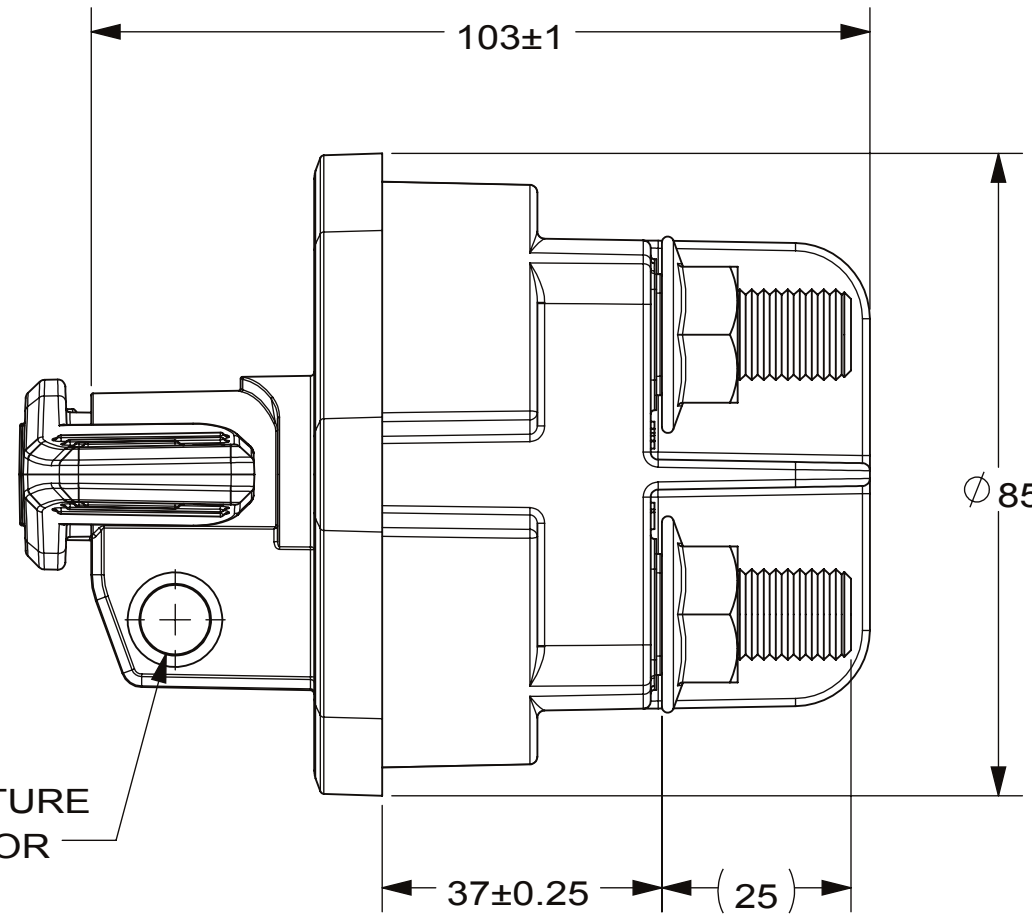
SCHEMATIC



CONFIGURATION CHART		
PRODUCT NUMBER	KNOB COLOR	REMARK
880175	BLACK	
880175-0001	RED	
880175-0002	YELLOW	



2 X LOCKOUT FEATURE  
ACCEPTS HASP OR  
PADLOCK



DIMENSIONS ARE SHOWN IN MILLIMETERS. DIMENSIONS AND TOLERANCES ARE DEFINED ACCORDING TO ANSI/ASME Y14.5-1994.

- FIT FUNCTION CRITICAL CHARACTERISTICS SYMBOL
- <S> SAFETY/ COMPLIANCE CRITICAL CHARACTERISTICS SYMBOL
- CPK DENOTES CPK DIMENSIONS MINIMUM CPK VALUE
- (ST) DENOTES A CHARACTERISTIC THAT PROVIDES AN INDICATION OF PROCESS PERFORMANCE PROCEDURE FOR MEASUREMENT AND TRACKING TO BE DEFINED IN LITTELFUSE INSPECTION INSTRUCTIONS
- CP DENOTES CP DIMENSIONS. MINIMUM CP VALUE MUST BE WITHIN THE DIMENSIONAL LIMITATIONS SHOWN ON DRAWING AND INITIALLY LOCATED TO ALLOW FOR MAXIMUM TOOL LIFE.

DIMENSION: MM TOLERANCES UNLESS OTHERWISE SPECIFIED  
 ONE PLACE DECIMAL ± 0.5      THREE PLACES DECIMAL ± 0.100  
 TWO PLACES DECIMAL ± 0.20      ANGULAR ± 2°

NAME	DATE
DRAWN: V.Belous	2/6/2012
CHECKED: -	-
-	-

**Littelfuse**  
Expertise Applied | Answers Delivered

FORM NO: CVP-PE40-0006 REV A  
 THIRD ANGLE PROJECTION

TITLE: Switch Master TR 2 Pole 300A

DO NOT SCALE DRAWING      SCALE 1:2      SHEET 1 OF 1