

4

3

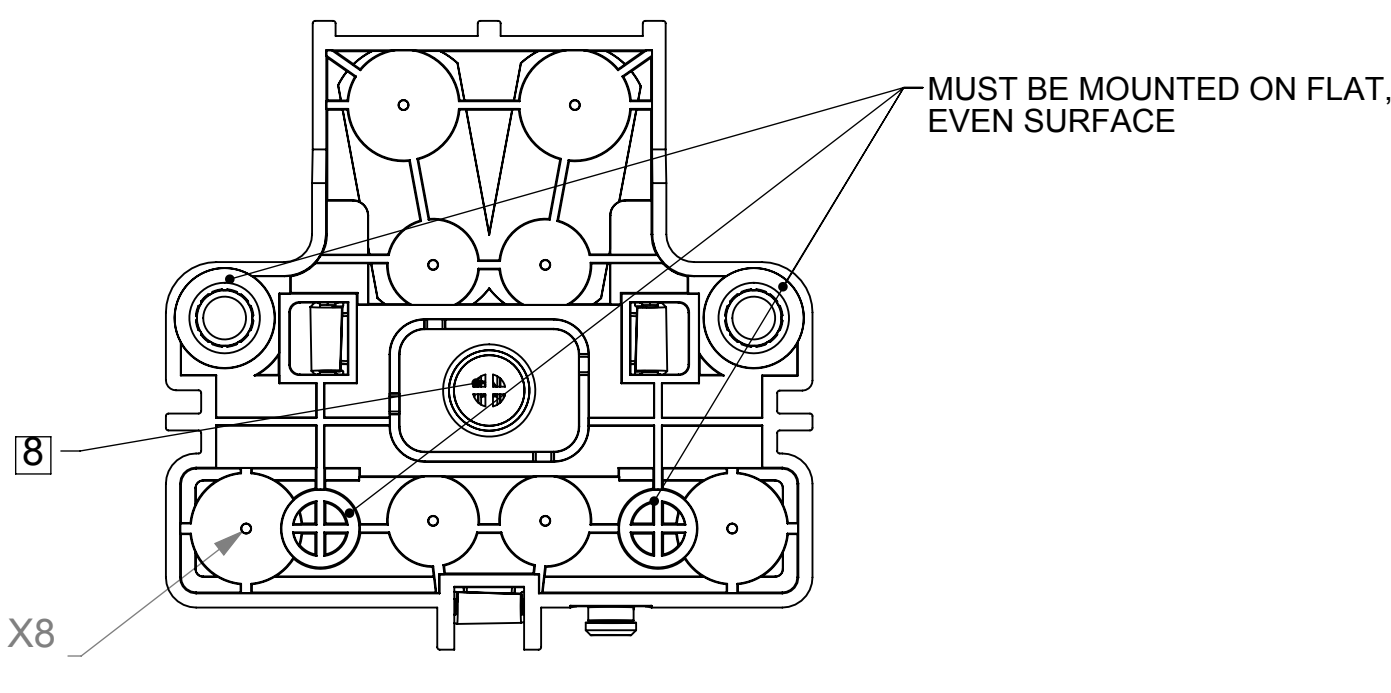
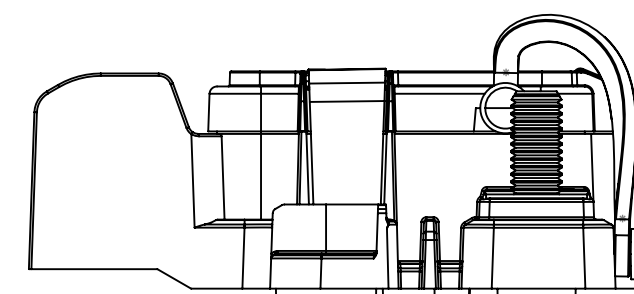
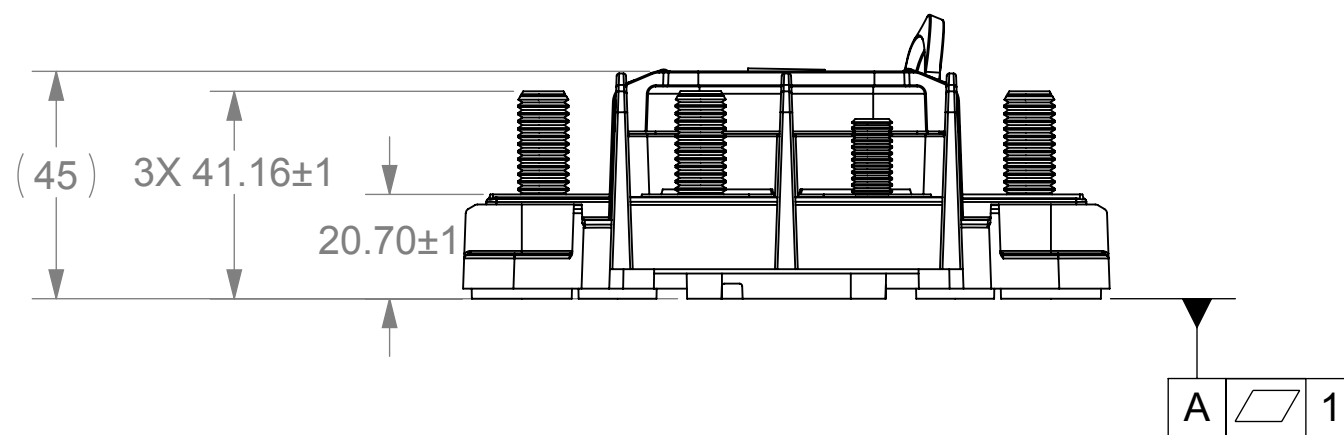
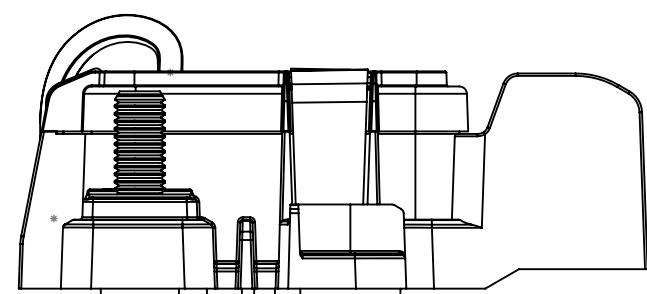
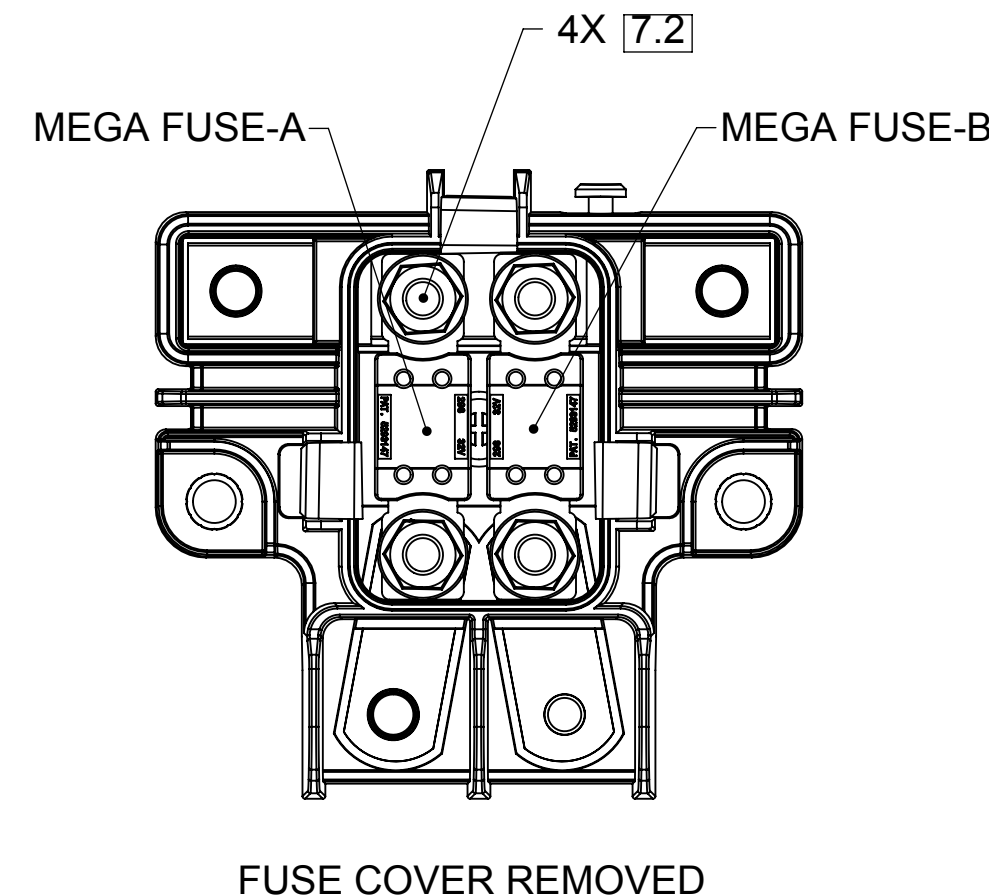
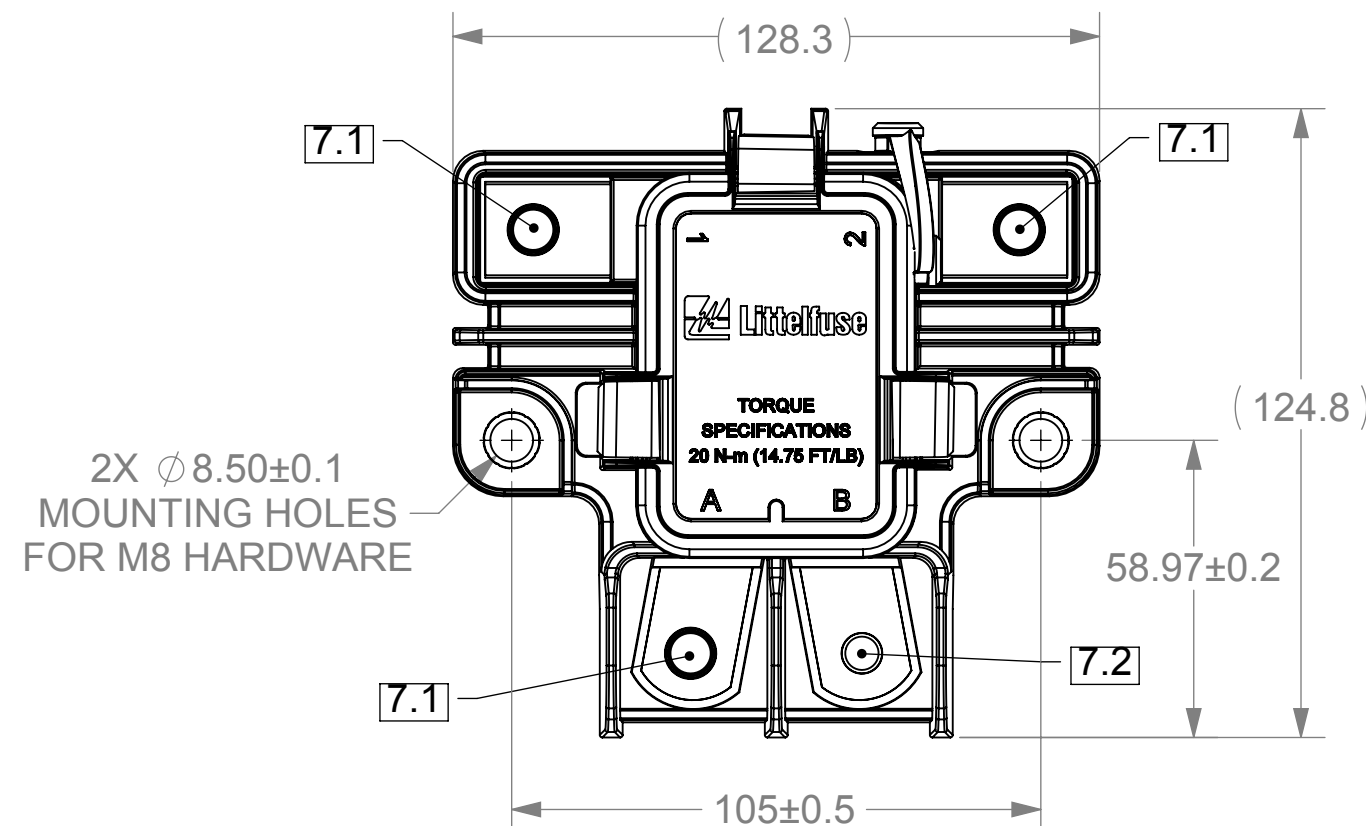
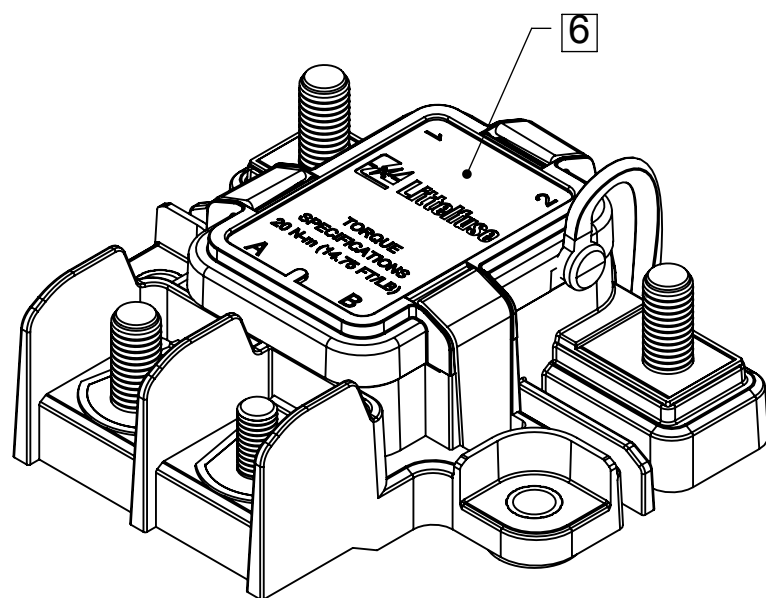
2

1

NOTES:

- 1. DRAWING SHOWN WITH FUSES INSTALLED, REFER TO CHART FOR DETAILS
- 2. ALL STUDS TO BE STAINLESS STEEL WITH ROLLED THREADS
- 3. ALL BUS BARS TO BE TIN PLATED COPPER
- 4. WEIGHT EST 350 grams
- 5. RECOMMENDED TORQUE VALUES:
  - 1. MEGA FUSES - 15 N-m ±1.36 (11 ft-lb ±1)
  - 2. TERMINALS - 28.5 N-m ±1.36 (21 ft-lb ±1)
- 6. COVER LABEL (SEE CHART) PLACED ON OUTSIDE OF COVER
- 7. RECOMMENDED HARDWARE (TO BE INSTALLED AT LESS THAN 300 RPM);
  - 1. M10x1.50 18-8 STAINLESS STEEL
  - 2. M8x1.25 18-8 STAINLESS STEEL
- 8. LOCATION OF GORE VENT
- 9. MATERIAL:
  - HOUSING: GLASS FILLED NYLON 94V-0 COVER: GLASS FILLED PC 94V-0
- 10. MIN/MAX TEMPERATURE RATING: OPERATIONAL: -50C~105C NON-OPERATIONAL: -55C~125C
- 11. MAX CURRENT INPUT: 600 AMPS
- 12. MAX ASSEMBLY TORQUE (PRODUCT TO MOUNTING SURFACE): 30 N-m

REVISIONS				
ZONE	REV.	DESCRIPTION	DATE	APPROVED
	A	PER EC510604: INITIAL RELEASE	6/4/2014	J LIU



LITTELFUSE P/N	FUSE A P/N	FUSE B P/N
880195100	0298250.ZXEH	0298150.ZXEH
880195200	0298200.ZXEH	0298200.ZXEH
880195300	0298250.ZXEH	0298250.ZXEH
880195400	N/A	N/A
880195500	0298100.ZXEH	0298100.ZXEH

DIMENSIONS ARE IN MM.  
DIMENSIONS AND TOLERANCES ARE DEFINED ACCORDING TO ANSI / ASME Y14.5M-1994

THIS DRAWING AND THE INFORMATION CONTAINED WITHIN IT ARE CONFIDENTIAL AND MAY NOT BE COPIED OR DISCLOSED WITHOUT THE WRITTEN PERMISSION OF LITTELFUSE.

THIRD ANGLE PROJECTION

DRAWN	J. LIU	DATE	6/4/2014
CHECKED	-	-	-
-	-	-	-
-	-	-	-
-	-	-	-

**Littelfuse**  
Expertise Applied | Answers Delivered  
425 Sequoia Drive Bellingham, WA 98226  
Phone (360)738-9010 Fax (360)738-0372

POWER PDM 2 POSITION W- GASKET

SIZE DWG. NO. REV.  
C OL-880195000 A

SCALE 2:3 SHEET 1 OF 1

4

3

2

1