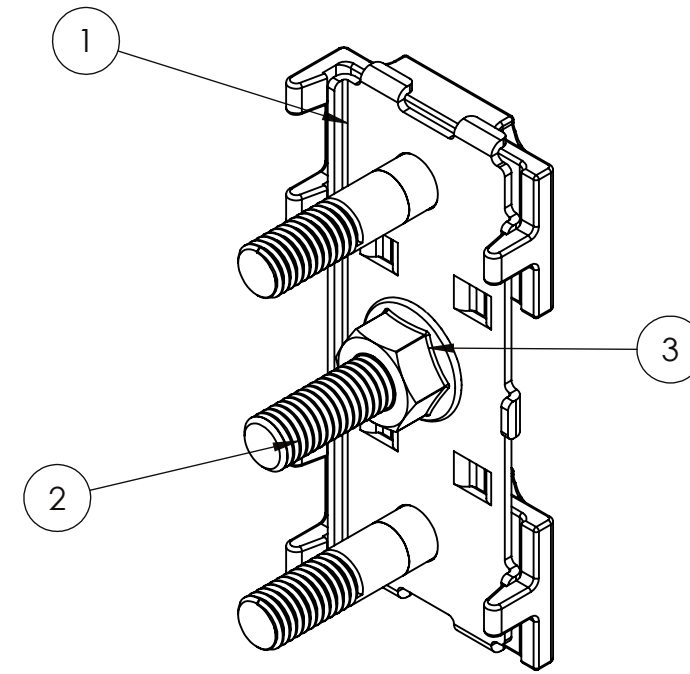
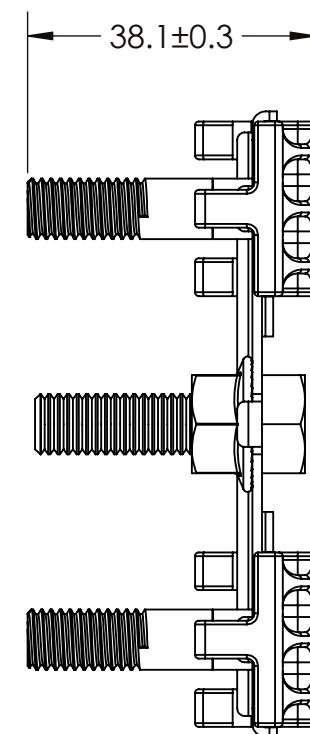
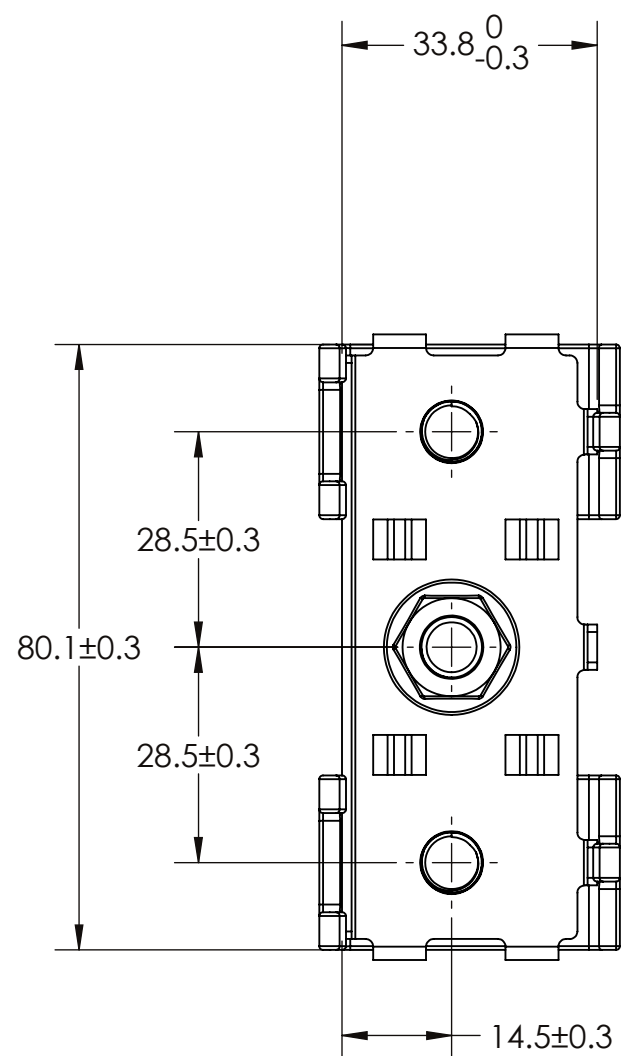
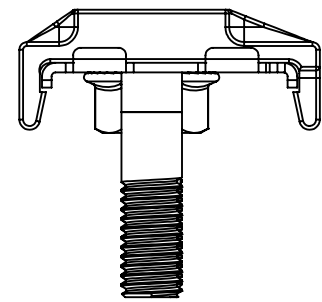


THIS DRAWING AND THE INFORMATION CONTAINED WITHIN IT ARE CONFIDENTIAL AND MAY NOT BE COPIED OR DISCLOSED WITHOUT THE WRITTEN PERMISSION OF LITTELFUSE.

| REVISIONS | | | | |
|-----------|------|---------------------------------------|-----------|----------|
| ZONE | REV. | DESCRIPTION | DATE | APPROVED |
| | A | GCF #524724 INITIAL RELEASE. D.SILVA. | 1/25/2022 | L.ARGIL |



| ITEM NO. | PART NUMBER | DESCRIPTION | QTY. |
|----------|-------------|--------------------------------------|------|
| 3 | - | M8 x 1.25 SERRATED FLANGE HEX NUT SS | 1 |
| 2 | - | BOLT M8x1.25x30 SS | 1 |
| 1 | 882-855 | SUB ASSM Z-CASE FUSE HOLDER 2WAY | 1 |

NOTES:

- ALL DIMENSIONS ARE FOR REFERENCE
- MATERIAL:
 - ZCASE FUSE HOLDER:
 - BUSBAR: COPPER ALLOY
 - POLYPHTHALAMIDE (PPA)
 - STANDARD M8 BOLT
- BOLT M8x1.25: STAINLESS STEEL (TO BE BAGGED)
- HEX NUT M8X1.25: STAINLESS STEEL (TO BE BAGGED)
- MOUNTING METHOD: M8 STUD MOUNT
- MAX VOLTAGE RATING: 32 VDC
- FUSE TERMINAL TORQUE: 14±2 Nm

DIMENSIONS ARE SHOWN IN MILLIMETERS. DIMENSIONS AND TOLERANCES ARE DEFINED ACCORDING TO ANSIA/SME Y14.5-1994.

● FIT/ FUNCTION CRITICAL CHARACTERISTICS

<S> SAFETY/ COMPLIANCE CRITICAL CHARACTERISTICS SYMBOL

CPK DENOTES CPK DIMENSIONS MINIMUM CPK VALUE

(ST) DENOTES A CHARACTERISTIC THAT PROVIDES AN INDICATION OF PROCESS PERFORMANCE. PROCEDURE FOR MEASUREMENT AND TRACKING TO BE DEFINED IN LITTELFUSE INSPECTION INSTRUCTIONS

CP DENOTES CP DIMENSIONS. -MINIMUM CP VALUE MUST BE WITHIN THE DIMENSIONAL LIMITATIONS SHOWN ON DRAWING AND INITIALLY LOCATED TO ALLOW FOR MAXIMUM TOOL LIFE

| | |
|---------------|----------|
| NAME | DATE |
| DRAWN D.SILVA | 1/8/2022 |
| CHECKED | |
| | |

FORM NO. CVP-PE40-0005 REV B
THIRD ANGLE PROJECTION

Littelfuse
Expertise Applied | Answers Delivered

TITLE ZCASE HOLDER ASS 2WAY

SIZE C DWG. NO. OL-882-854 REV. A
OUTLINE

DO NOT SCALE DRAWING SCALE 1:1 SHEET 1 OF 1