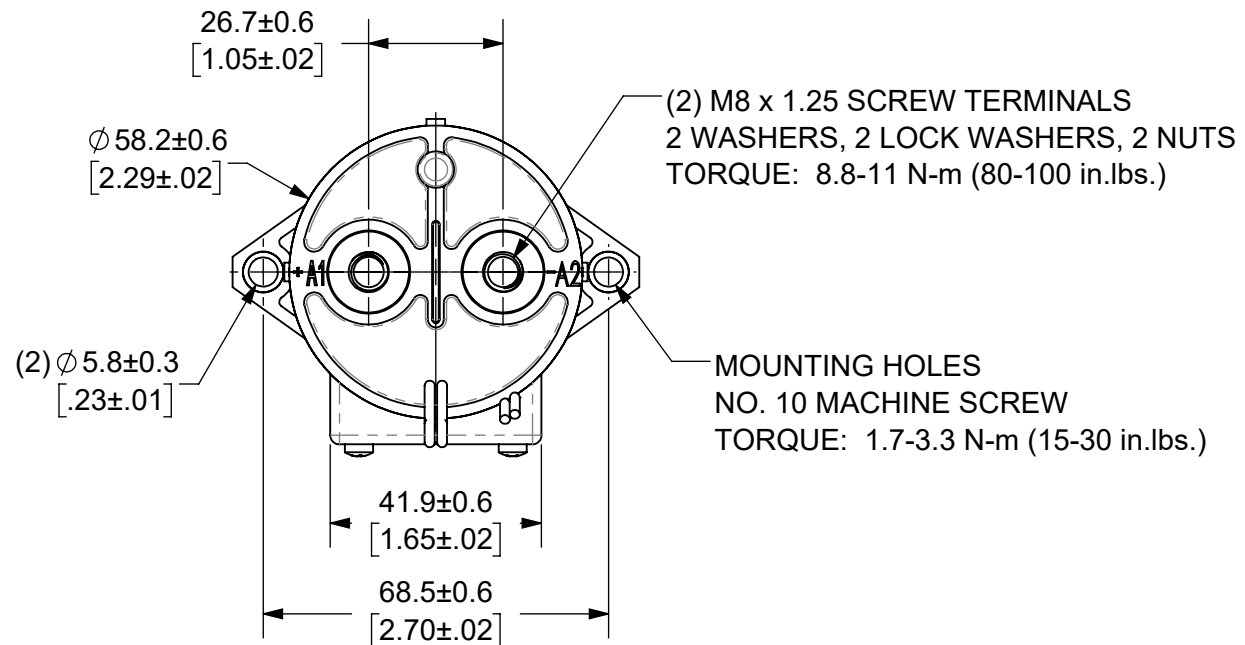


THIS DRAWING AND THE INFORMATION CONTAINED WITHIN IT ARE CONFIDENTIAL AND MAY NOT BE COPIED OR DISCLOSED WITHOUT THE WRITTEN PERMISSION OF LITTELFUSE.

REVISIONS				
ZONE	REV.	DESCRIPTION	DATE	APPROVED
	A	INITIAL RELEASE. GCF 500000021760	12/16/2019	DGK

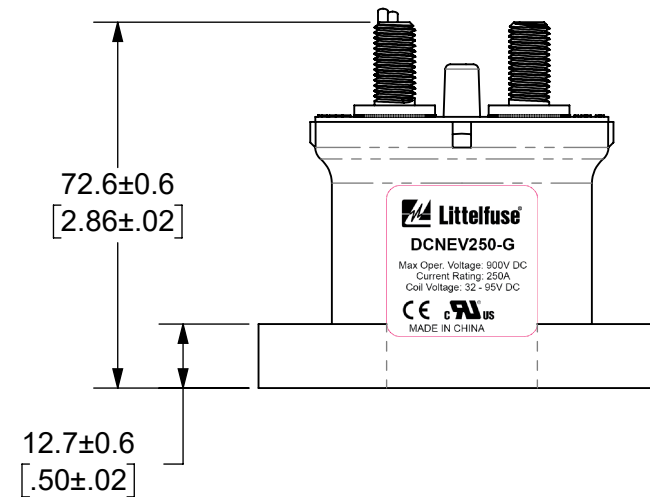
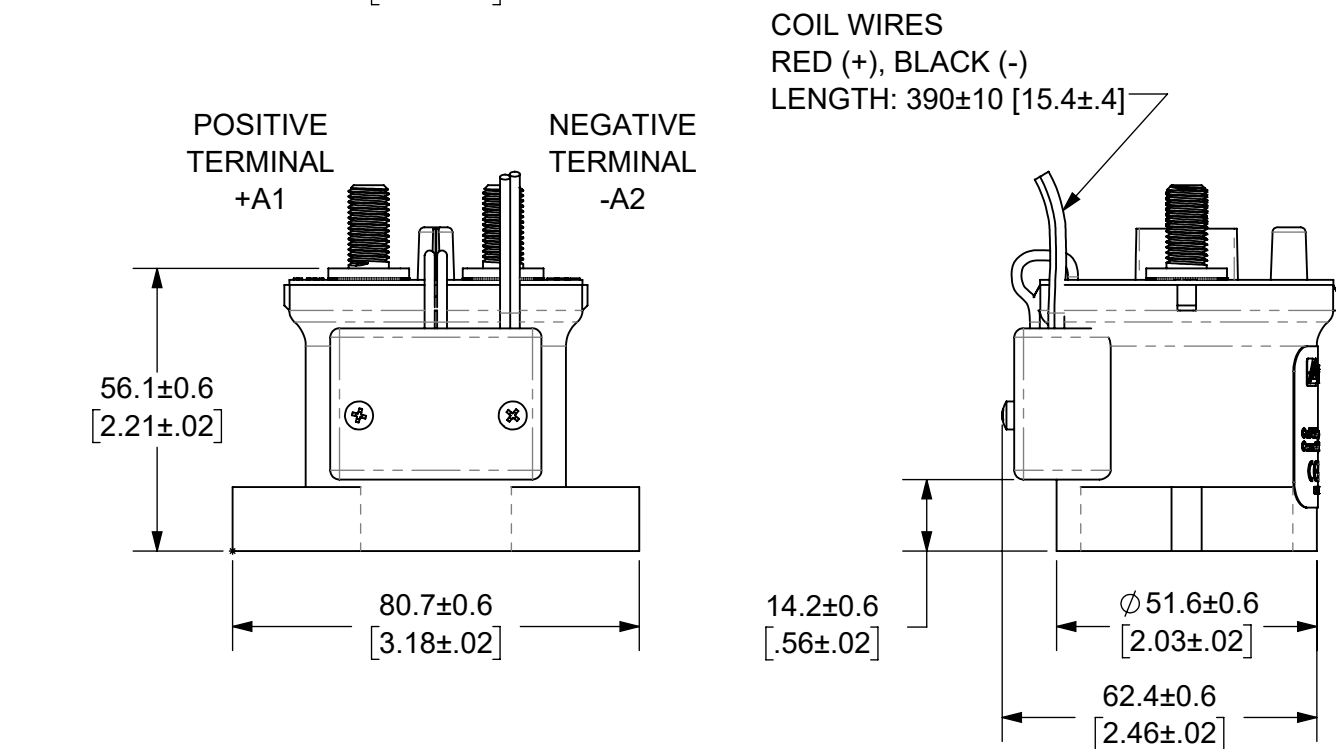
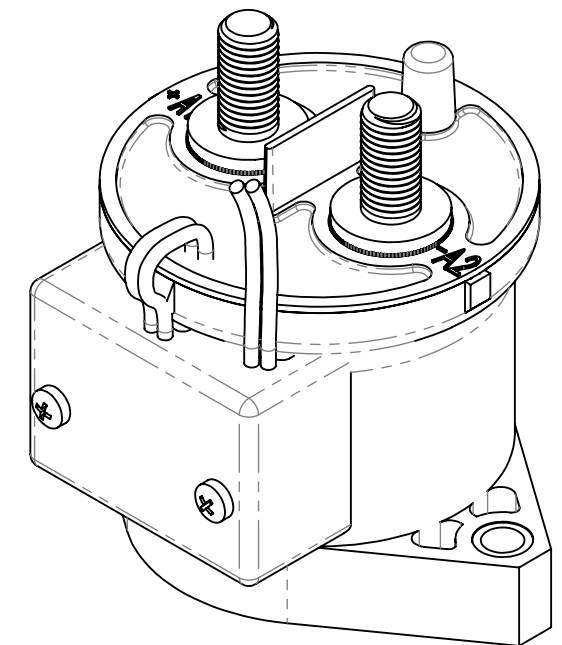


- NOTES: UNLESS OTHERWISE SPECIFIED
- CONTACT ARRANGEMENT: SPST-NO
 - CONTINUOUS CURRENT RATING: 250 AMPS
 - CONTACT VOLTAGE RATING: 12 - 900 VDC
 - CONTACT TERMINALS POLARIZED
 - HARDWARE: 2 - M8 NUTS, 2 - M8 LOCKWASHERS, 2 - M8 FLAT WASHERS
 - WEIGHT: 430 GRAMS (15 OZ.)
 - CERTIFICATIONS:

UL RECOGNIZED FOR CANADA AND THE UNITED STATES.

EUROPEAN ECONOMIC AREA RECOGNIZED.

- RoHS COMPLIANT



ENGINEERING DESIGN DATA

COIL DATA							SHORT CIRCUIT	DIELECTRIC VOLTAGE	ELECTRICAL LIFE
COIL VOLTAGE (VDC)	NOMINAL POWER (WATTS)	PICK-UP VOLTAGE (VDC)	DROP-OUT VOLTAGE (VDC)	MAX. VOLTAGE (VDC)	INRUSH CURRENT (MAX)	HOLDING CURRENT	MAX @ 320 VDC	(VRMS)	250A @ 450VDC (CYCLES)
48-72	1.5	32	18	95	1.3A	0.03A@48VDC	2,000 A	2,200	5,000

INTERPRET DRAWING TO ANSI/ASME Y14.5-1994.		
●	FIT/ FUNCTION	CRITICAL CHARACTERISTICS SYMBOL
<S>	SAFETY/ COMPLIANCE	CRITICAL CHARACTERISTICS SYMBOL
CPK	DENOTES CPK DIMENSIONS MINIMUM CPK VALUE	
ST	DENOTES A CHARACTERISTIC THAT PROVIDES AN INDICATION OF PROCESS PERFORMANCE PROCEDURE FOR MEASUREMENT AND TRACKING TO BE DEFINED IN LITTELFUSE INSPECTION INSTRUCTIONS	
CP	DENOTES CP DIMENSIONS. -MINIMUM CP VALUE MUST BE WITHIN THE DIMENSIONAL LIMITATIONS SHOWN ON DRAWING AND INITIALLY LOCATED TO ALLOW FOR MAXIMUM TOOL LIFE	
DIMENSION: MM TOLERANCES UNLESS OTHERWISE SPECIFIED ONE PLACE DECIMAL ± 0.5 THREE PLACES DECIMAL ± 0.100 TWO PLACES DECIMAL ± 0.20 ANGULAR ± 2°		
NAME	DATE	 Expertise Applied Answers Delivered TITLE DC CONTACTOR, 250 AMP 48-72 VDC
DRAWN DGK	11/22/2019	
CHECKED AH	12/13/2019	
-	-	
FORM NO: CVP-PE40-0004 REV A	THIRD ANGLE PROJECTION	
SIZE B	DWG. NO. OL-DCNEV250-G	OUTLINE REV. A
DO NOT SCALE DRAWING	SCALE 2:3	SHEET 1 OF 1