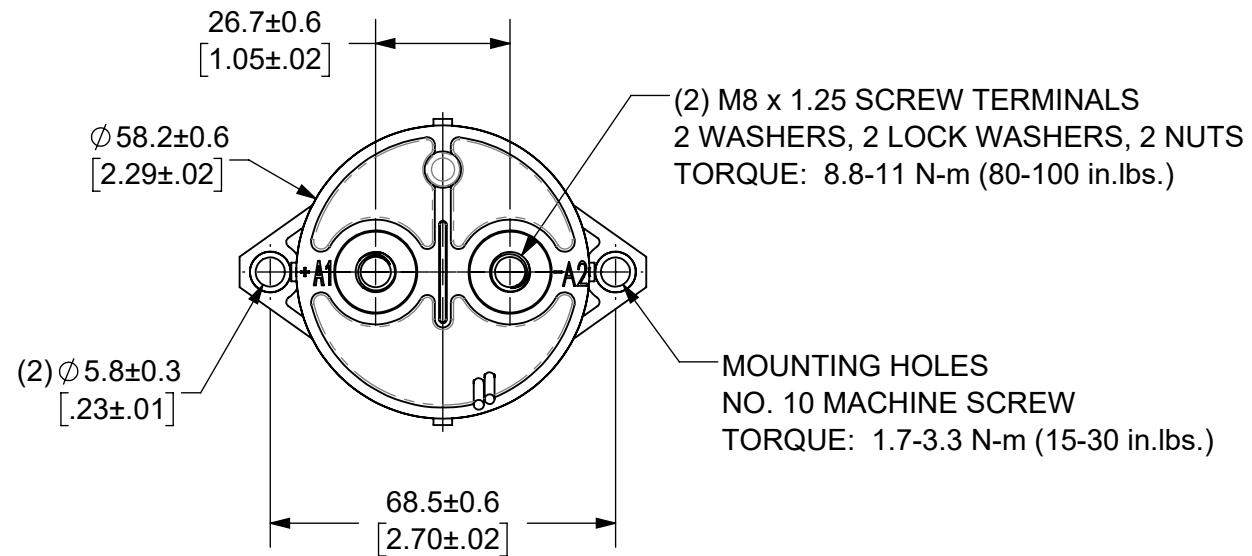


THIS DRAWING AND THE INFORMATION CONTAINED WITHIN IT ARE CONFIDENTIAL AND MAY NOT BE COPIED OR DISCLOSED WITHOUT THE WRITTEN PERMISSION OF LITTELFUSE.

REVISIONS				
ZONE	REV.	DESCRIPTION	DATE	APPROVED
	A	INITIAL RELEASE. GCF 500000021760	12/16/2019	DGK



(2) M8 x 1.25 SCREW TERMINALS
2 WASHERS, 2 LOCK WASHERS, 2 NUTS
TORQUE: 8.8-11 N-m (80-100 in.lbs.)

MOUNTING HOLES
NO. 10 MACHINE SCREW
TORQUE: 1.7-3.3 N-m (15-30 in.lbs.)

NOTES: UNLESS OTHERWISE SPECIFIED

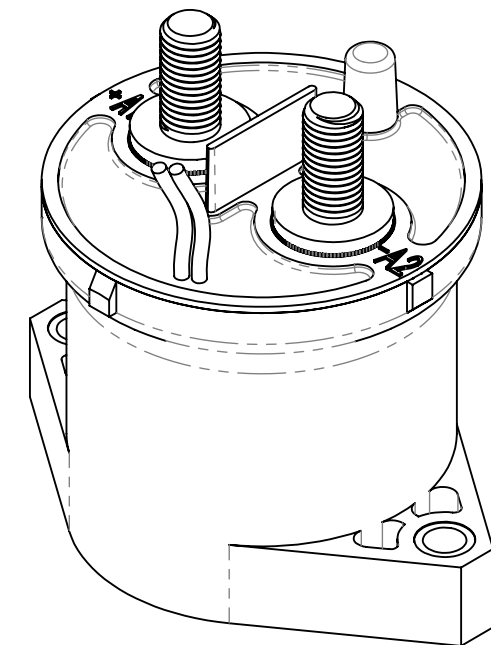
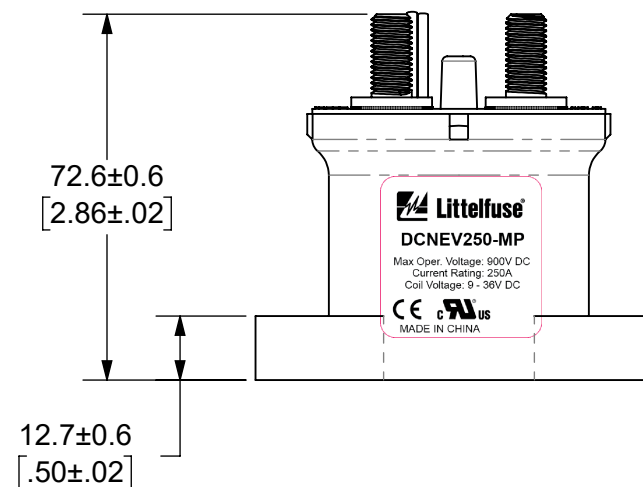
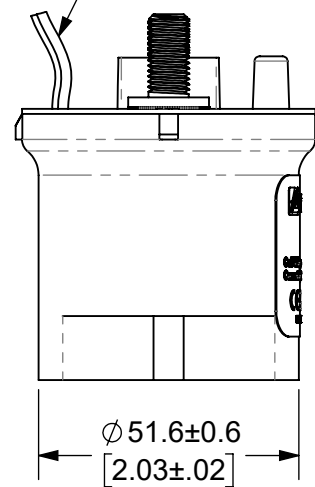
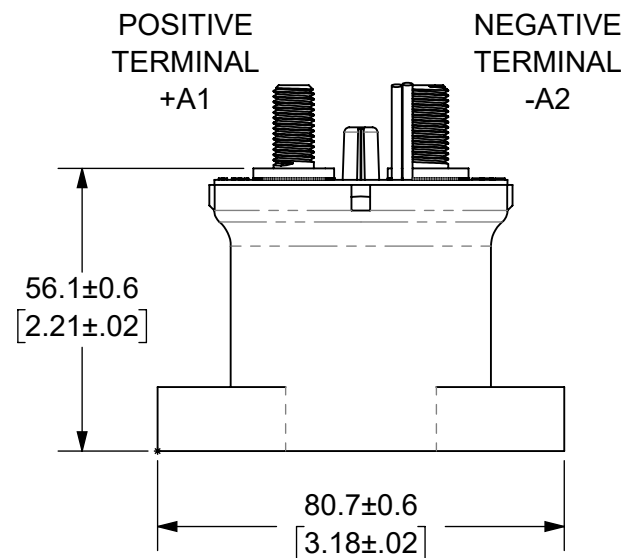
- CONTACT ARRANGEMENT: SPST-NO
- CONTINUOUS CURRENT RATING: 250 AMPS
- CONTACT VOLTAGE RATING: 12 - 900 VDC
- CONTACT TERMINALS POLARIZED
- HARDWARE: 2 - M8 NUTS, 2 - M8 LOCKWASHERS, 2 - M8 FLAT WASHERS
- WEIGHT: 430 GRAMS (15 OZ.)
- CERTIFICATIONS:



UL RECOGNIZED FOR CANADA AND THE UNITED STATES.
EUROPEAN ECONOMIC AREA RECOGNIZED.

- RoHS COMPLIANT

COIL WIRES
RED (+), BLACK (-)
LENGTH: 390±10 [15.4±.4]



INTERPRET DRAWING TO ANSI/ASME Y14.5-1994.		
●	FIT/ FUNCTION	CRITICAL CHARACTERISTICS SYMBOL
<S>	SAFETY/ COMPLIANCE	CRITICAL CHARACTERISTICS SYMBOL
CPK	DENOTES CPK DIMENSIONS MINIMUM CPK VALUE	
ST	DENOTES A CHARACTERISTIC THAT PROVIDES AN INDICATION OF PROCESS PERFORMANCE PROCEDURE FOR MEASUREMENT AND TRACKING TO BE DEFINED IN LITTELFUSE INSPECTION INSTRUCTIONS	
CP	DENOTES CP DIMENSIONS. -MINIMUM CP VALUE MUST BE WITHIN THE DIMENSIONAL LIMITATIONS SHOWN ON DRAWING AND INITIALLY LOCATED TO ALLOW FOR MAXIMUM TOOL LIFE	
DIMENSION: MM TOLERANCES UNLESS OTHERWISE SPECIFIED ONE PLACE DECIMAL ± 0.5 THREE PLACES DECIMAL ± 0.100 TWO PLACES DECIMAL ± 0.20 ANGULAR ± 2°		
NAME	DATE	<p>Expertise Applied Answers Delivered</p>
DRAWN DGK	11/26/2019	
CHECKED AH	12/13/2019	
-	-	
FORM NO: CVP-PE40-0004 REV A		TITLE DC CONTACTOR, 250 AMP 12-24 VDC, POTTED
THIRD ANGLE PROJECTION		
DO NOT SCALE DRAWING	SCALE 2:3	SIZE B DWG. NO. OL-DCNEV250-MP OUTLINE REV. A
		SHEET 1 OF 1

ENGINEERING DESIGN DATA

COIL DATA							SHORT CIRCUIT	DIELECTRIC VOLTAGE	ELECTRICAL LIFE
COIL VOLTAGE (VDC)	NOMINAL POWER (WATTS)	PICK-UP VOLTAGE (VDC)	DROP-OUT VOLTAGE (VDC)	MAX. VOLTAGE (VDC)	INRUSH CURRENT (MAX)	HOLDING CURRENT	MAX @ 320 VDC	(VRMS)	250A @ 450VDC (CYCLES)
12-24	1.7	9	6	36	3.8A	0.13A@12VDC 0.07A@24VDC	2,000 A	2,200	5,000