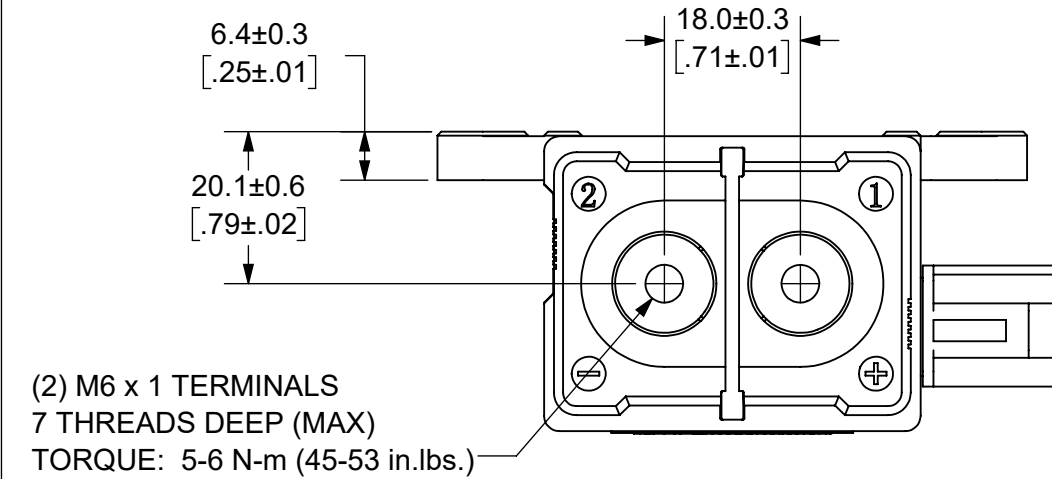


THIS DRAWING AND THE INFORMATION CONTAINED WITHIN IT ARE CONFIDENTIAL AND MAY NOT BE COPIED OR DISCLOSED WITHOUT THE WRITTEN PERMISSION OF LITTELFUSE.

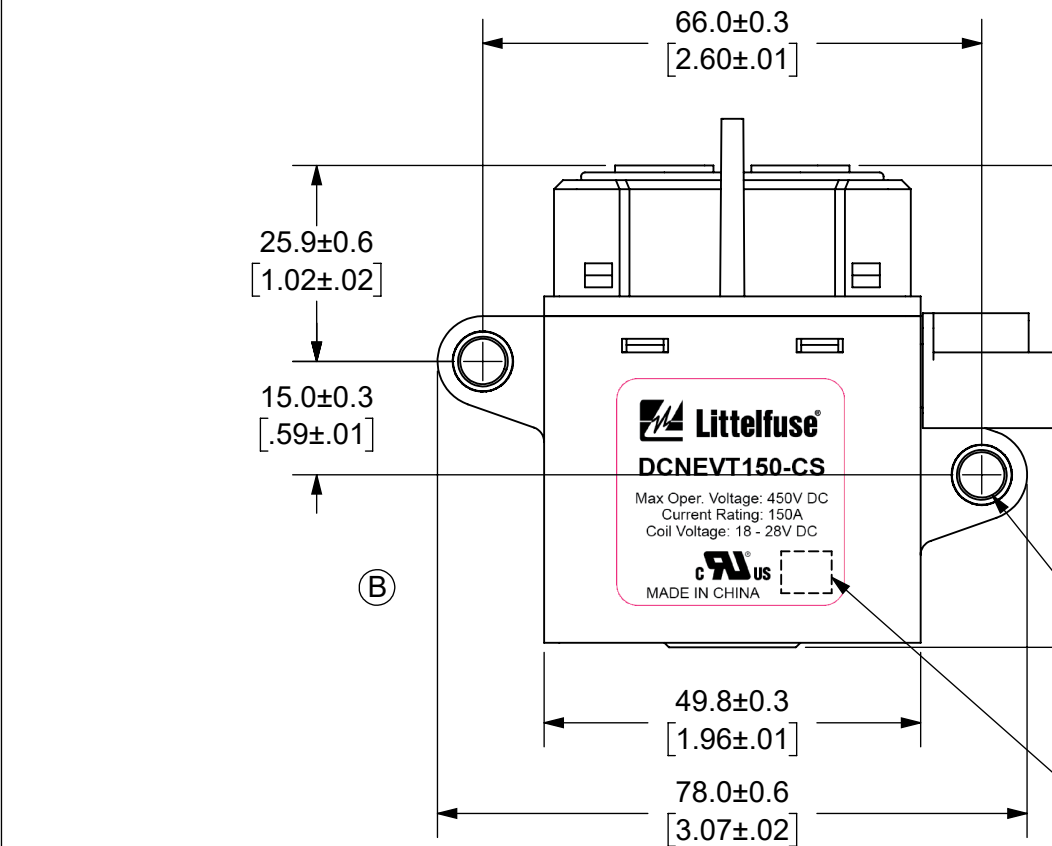
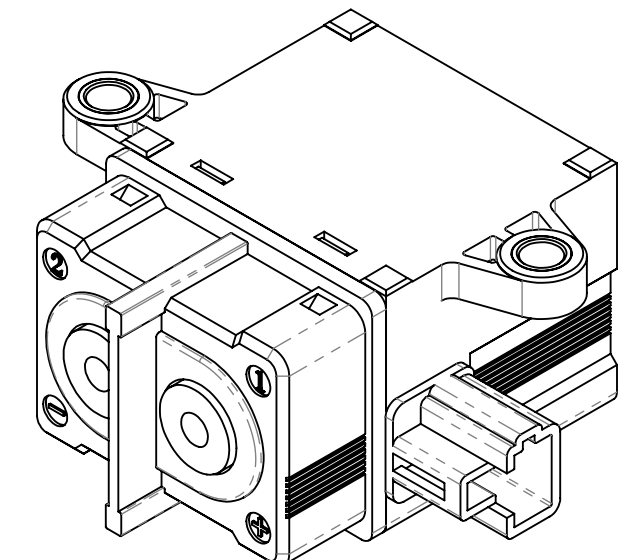
REVISIONS				
ZONE	REV.	DESCRIPTION	DATE	APPROVED
	A	INITIAL RELEASE. GCF 500000021759	12/11/2019	DGK
B7, E4	B	UPDATED LABEL. ADDED NOTE 8. ECR 522500	7/23/2020	DGK



(2) M6 x 1 TERMINALS  
7 THREADS DEEP (MAX)  
TORQUE: 5-6 N-m (45-53 in.lbs.)

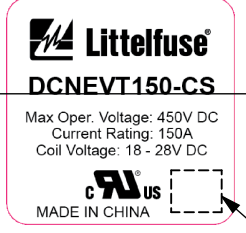
COIL TERMINALS  
KET090-II, 2 POLE CONNECTOR  
CONNECTOR P/N: MG651026  
TERMINAL P/N: ST730676-3

- NOTES: UNLESS OTHERWISE SPECIFIED
- CONTACT ARRANGEMENT: SPST-NO
  - CONTINUOUS CURRENT RATING: 150 AMPS
  - CONTACT VOLTAGE RATING: 12 - 450 VDC
  - CONTACT TERMINALS POLARIZED
  - HARDWARE: NONE
  - WEIGHT: 385 GRAMS (13.5 OZ.)
  - RoHS COMPLIANT
  - UL RECOGNIZED FOR CANADA AND THE UNITED STATES.



MOUNTING HOLES  
M5 MACHINE SCREW  
TORQUE: 3-4 N-m (26-35 in.lbs.)

QR CODE



INTERPRET DRAWING TO ANSI/ASME Y14.5-1994.	
●	FIT/ FUNCTION CRITICAL CHARACTERISTICS SYMBOL
<S>	SAFETY/ COMPLIANCE CRITICAL CHARACTERISTICS SYMBOL
CPK	DENOTES CPK DIMENSIONS MINIMUM CPK VALUE
ST	DENOTES A CHARACTERISTIC THAT PROVIDES AN INDICATION OF PROCESS PERFORMANCE PROCEDURE FOR MEASUREMENT AND TRACKING TO BE DEFINED IN LITTELFUSE INSPECTION INSTRUCTIONS
CP	DENOTES CP DIMENSIONS. -MINIMUM CP VALUE MUST BE WITHIN THE DIMENSIONAL LIMITATIONS SHOWN ON DRAWING AND INITIALLY LOCATED TO ALLOW FOR MAXIMUM TOOL LIFE
DIMENSION: MM TOLERANCES UNLESS OTHERWISE SPECIFIED ONE PLACE DECIMAL ± 0.5      THREE PLACES DECIMAL ± 0.100 TWO PLACES DECIMAL ± 0.20      ANGULAR ± 2°	
DRAWN	NAME: DGK      DATE: 11/21/2019
CHECKED	NAME: AH      DATE: 12/11/2019
FORM NO: CVP-PE40-0004 REV A	
THIRD ANGLE PROJECTION	
DO NOT SCALE DRAWING	
 <b>Expertise Applied   Answers Delivered</b>	
TITLE: DC CONTACTOR, 150 AMP 24 VDC, SIDE MOUNT	
SIZE: B	DWG. NO.: OL-DCNEVT150-CS
SCALE: 1:1	OUTLINE REV. B
SHEET 1 OF 1	

ENGINEERING DESIGN DATA

COIL DATA						SHORT CIRCUIT	DIELECTRIC VOLTAGE	ELECTRICAL LIFE
COIL VOLTAGE (VDC)	NOMINAL POWER (WATTS)	PICK-UP VOLTAGE (VDC)	DROP-OUT VOLTAGE (VDC)	MAX. VOLTAGE (VDC)	INRUSH CURRENT (MAX)	MAX @ 450 VDC	(VRMS)	150A @ 450VDC (CYCLES)
24	6.0	18	2.4	28	250mA	1,500 A	2,200	5,000