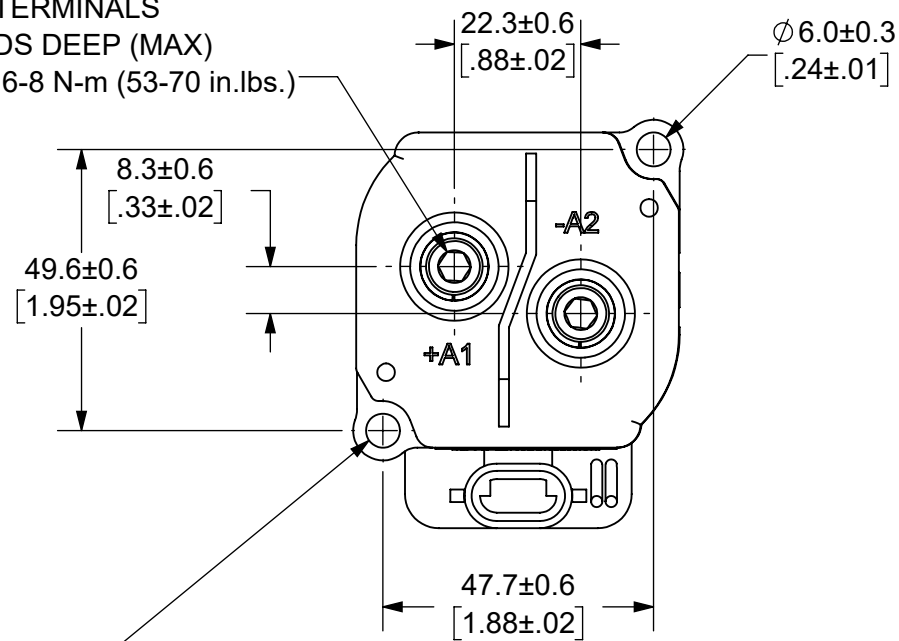


THIS DRAWING AND THE INFORMATION CONTAINED WITHIN IT ARE CONFIDENTIAL AND MAY NOT BE COPIED OR DISCLOSED WITHOUT THE WRITTEN PERMISSION OF LITTELFUSE.

REVISIONS

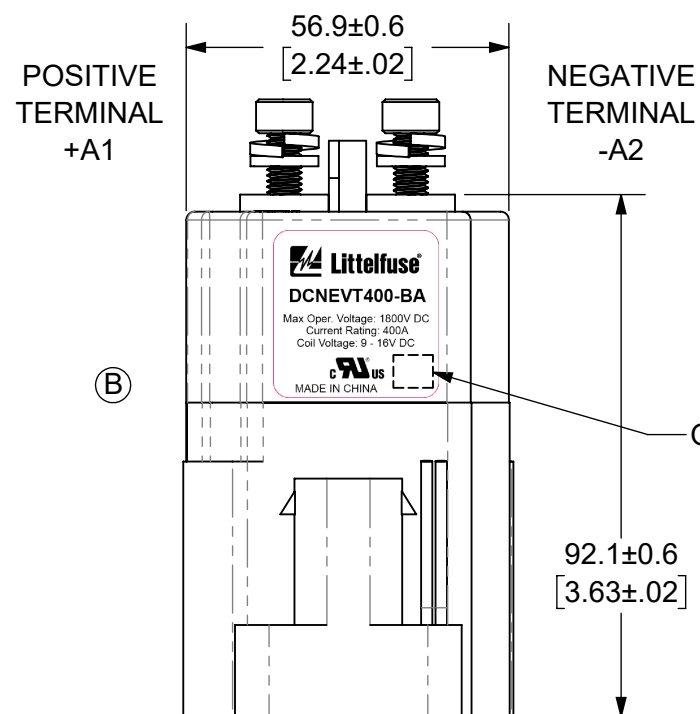
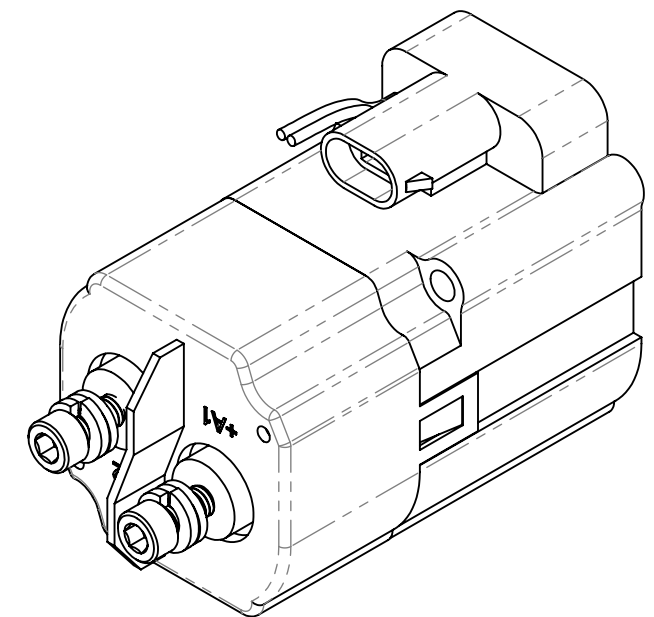
| ZONE   | REV. | DESCRIPTION                              | DATE       | APPROVED |
|--------|------|--|------------|----------|
|        | A    | INITIAL RELEASE. GCF 500000021763        | 12/16/2019 | DGK      |
| C7, D6 | B    | UPDATED LABEL. ADDED NOTE 10. ECR 522500 | 7/24/2020  | DGK      |

(2) M6 x 1 TERMINALS  
12 THREADS DEEP (MAX)  
TORQUE: 6-8 N-m (53-70 in.lbs.)

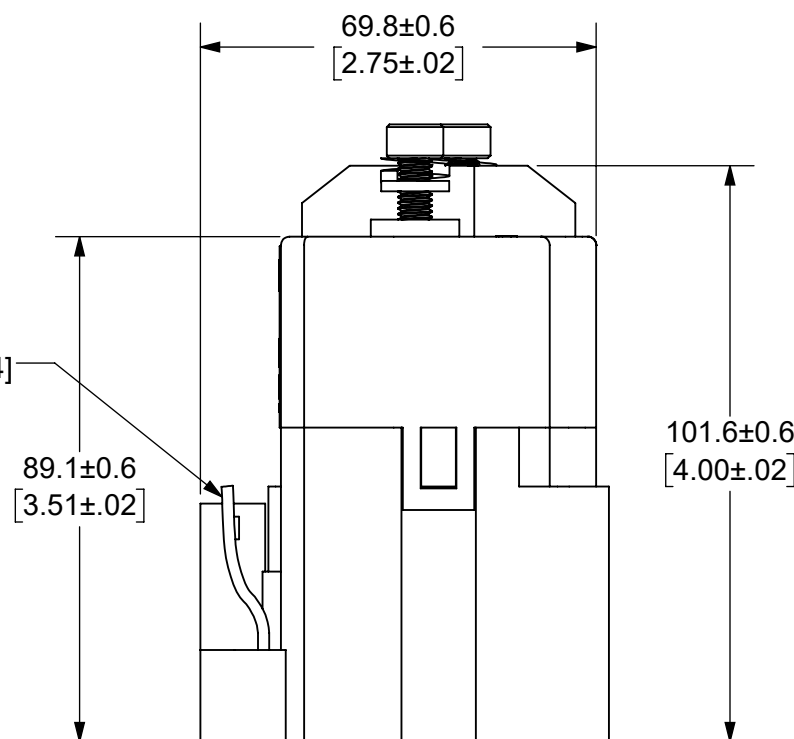


MOUNTING HOLES  
M5 MACHINE SCREW  
TORQUE: 1.7-3.3 N-m (15-30 in.lbs.)

- NOTES: UNLESS OTHERWISE SPECIFIED
- CONTACT ARRANGEMENT: SPST-NO
  - CONTINUOUS CURRENT RATING: 400 AMPS
  - CONTACT VOLTAGE RATING: 12 - 1,800 VDC
  - CONTACT TERMINALS POLARIZED
  - HARDWARE: 2 - M6 MACHINE SCREWS, 2 - M6 LOCKWASHERS, 2 - M6 FLAT WASHERS
  - WEIGHT: 800 GRAMS (28.2 OZ.)
  - RoHS COMPLIANT
  - COIL CONNECTOR INCLUDED WITH 7 INCH WIRE LEADS.
  - AUXILIARY CONTACT RATING, SPST-NO:  
2A @ 30VDC  
3A @ 125VDC
  - UL RECOGNIZED FOR CANADA AND THE UNITED STATES



AUXILLARY CONTACT,  
SPST-NO  
WHITE WIRES  
LENGTH: 150±10 [6.0±0.4]



| NAME    |     | DATE       |
|---------|-----|------------|
| DRAWN   | DGK | 11/26/2019 |
| CHECKED | AH  | 12/13/2019 |
|         | -   | -          |
|         | -   | -          |

FORM NO: CVP-PE40-0004 REV A  
THIRD ANGLE PROJECTION

**Littelfuse**  
Expertise Applied | Answers Delivered

TITLE  
DC CONTACTOR, 400 AMP  
12 VDC, AUX. CONTACT

SIZE B DWG. NO. OL-DCNEVT400-BA OUTLINE REV. B  
DO NOT SCALE DRAWING SCALE 3:4 SHEET 1 OF 1

ENGINEERING DESIGN DATA

| COIL DATA          |                       |                       |                        |                    |                      |                 | SHORT CIRCUIT | DIELECTRIC VOLTAGE | ELECTRICAL LIFE        |
|--------------------|-----------------------|-----------------------|------------------------|--------------------|----------------------|-----------------|---------------|--------------------|------------------------|
| COIL VOLTAGE (VDC) | NOMINAL POWER (WATTS) | PICK-UP VOLTAGE (VDC) | DROP-OUT VOLTAGE (VDC) | MAX. VOLTAGE (VDC) | INRUSH CURRENT (MAX) | HOLDING CURRENT | MAX @ 450 VDC | (VRMS)             | 400A @ 450VDC (CYCLES) |
| 12                 | 4.1                   | 9                     | 5                      | 16                 | 2.8A                 | 0.34A           | 2,300 A       | 2,200              | 2,000                  |