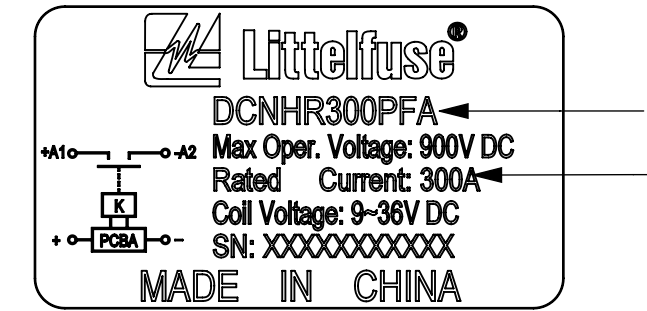
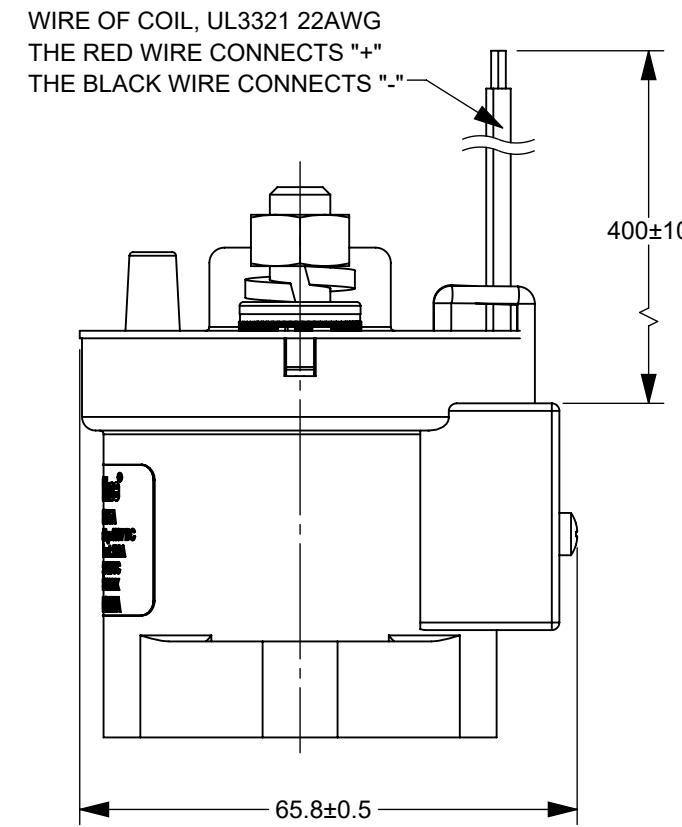
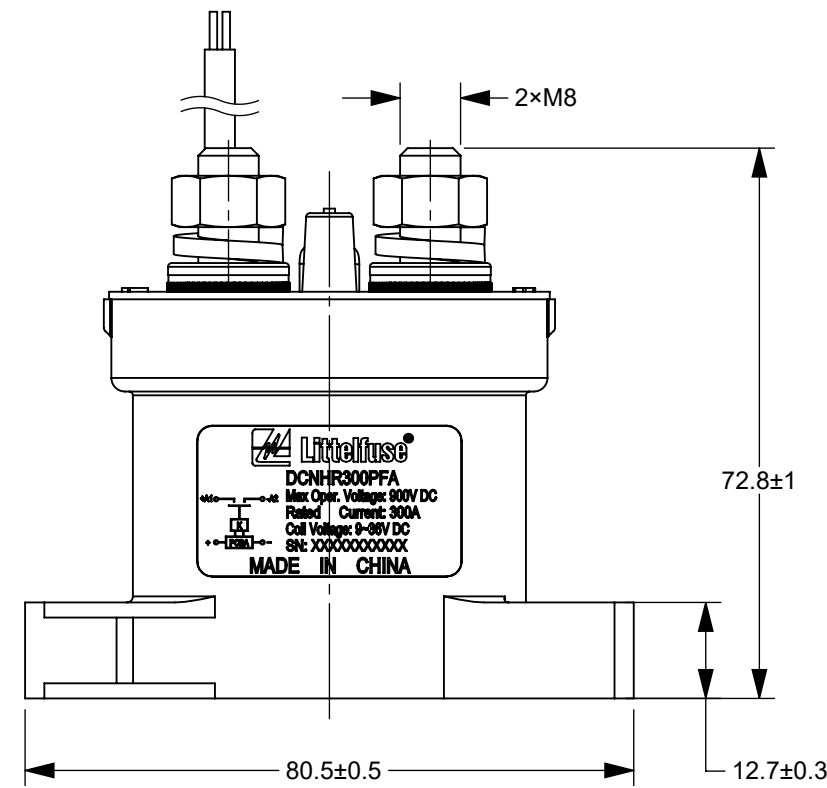
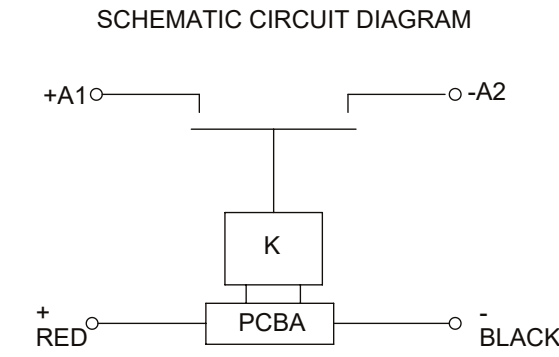
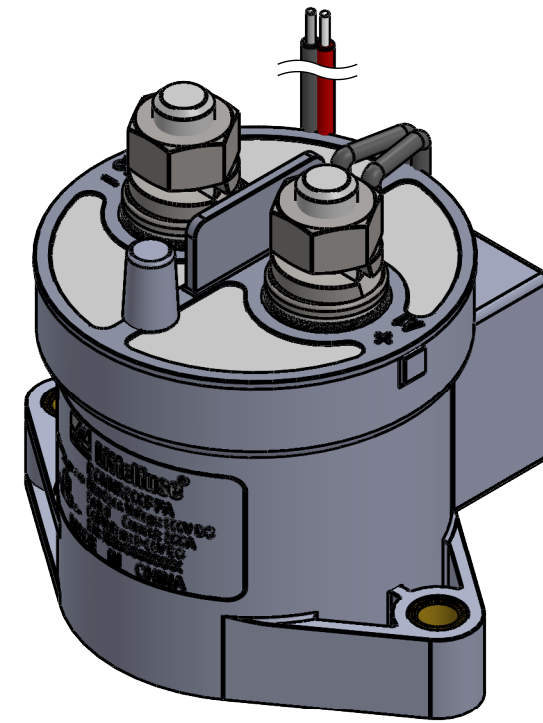
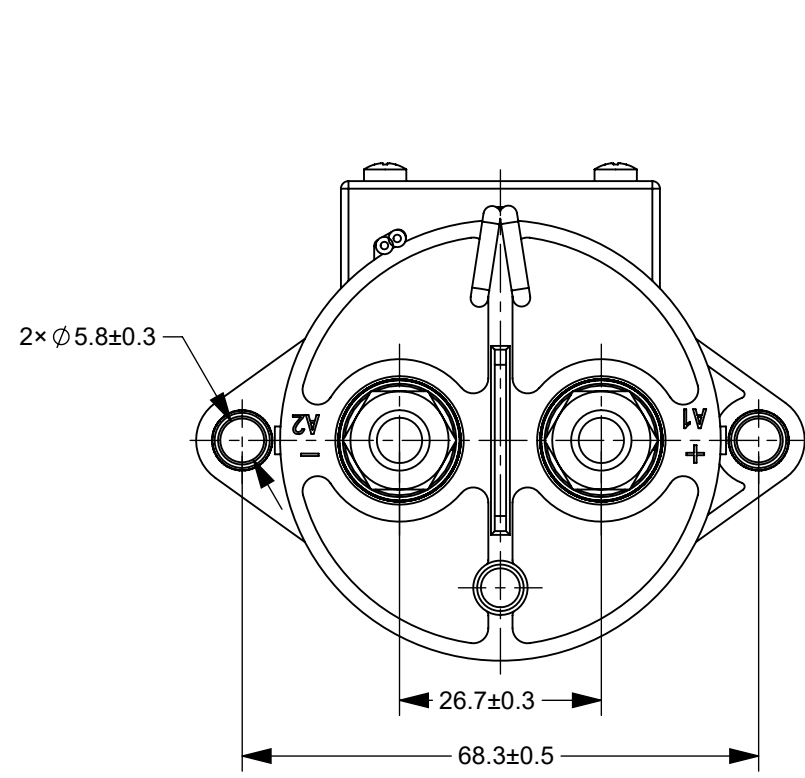


THIS DRAWING AND THE INFORMATION CONTAINED WITHIN IT ARE CONFIDENTIAL AND MAY NOT BE COPIED OR DISCLOSED WITHOUT THE WRITTEN PERMISSION OF LITTELFUSE.

REVISIONS				
ZONE	REV.	DESCRIPTION	DATE	APPROVED
	A	GCF#524671 INITIAL RELEASE	JUL./28/2021	D. ZHANG



SCALE 2:1

TABLE 1

MAX OPER. VOLTAGE		900V DC
RATED CONTACT CURRENT	DCNHR150PFA	150A
	DCNHR200PFA	200A
	DCNHR250PFA	250A
	DCNHR300PFA	300A
COIL VOLTAGE		9~36V DC
OPERATING VOLTAGE IN COLD STATE @ (23±5)°C	PICK-UP	9V MAX
	DROP-OUT	6V MIN
OPERATE TIME		25ms
CONTACT BOUNCE TIME		7ms
RELEASE TIME		12ms
MAIN CONTACT RESISTANCE(@ 20A)		≤2mΩ
INSULATION RESISTANCE @ 500 V (INITIAL)		≥100MΩ
DIELECTRIC STRENGTH (LEAKAGE CURRENT≤1 mA)		2200V AC, 1 MINUTE
ELECTRIC LIFE	DCNHR150PFA	5000 CYCLES (150A @ 450V DC)
	DCNHR200PFA	3500 CYCLES (200A @ 450V DC)
	DCNHR250PFA	1500 CYCLES (250A @ 450V DC)
	DCNHR300PFA	600 CYCLES (300A @ 450V DC)
MECHANICAL LIFE (NO LOAD, CYCLES)		200,000
WORKING DUTY		CONTINUOUS

TABLE 2

NO.	PN	"A"	"B"	REMARK
1	DCNHR150PFA	DCNHR150PFA	Rated Current: 150A	
2	DCNHR200PFA	DCNHR200PFA	Rated Current: 200A	
3	DCNHR250PFA	DCNHR250PFA	Rated Current: 250A	
4	DCNHR300PFA	DCNHR300PFA	Rated Current: 300A	

NOTES:

- ALL DIMENSIONS ARE REFERENCE ONLY.
- SEE TABLE 2 FOR NAME PLATE AND PNs
- PRODUCT TYPE: SPST-NO, POLAR CONTACTOR.
- MATERIALS AND FINISH:
 - HOUSING: THERMOPLASTIC PLASTICS.
 - CONTACTS: COPPER ALLOY.
 - CONTACT STUDS: COPPER ALLOY.
 - COIL TERMINALS: XLPE INSULATION WIRE(HALOGEN FREE) UL3321 22AWG.
 - MAIN CONTACT M8 STUD. TORQUE: 8~12N·m.
 - MOUNTING: M5 BOLT, RECOMMENDED TORQUE 1.8 N·m ~ 3.5 N·m.
 - CONTACTOR PARAMETERS ARE SHOWN IN TABLE 1.
 - THE COIL AND CONTACT OF THE CONTACTOR ARE POLAR, SO THE CONNECTION OF THE COIL AND CONTACT SHOULD BE OPERATED ACCORDING TO THE SCHEMATIC CIRCUIT DIAGRAM.

DIMENSIONS ARE SHOWN IN MILLIMETERS. DIMENSIONS AND TOLERANCES ARE DEFINED ACCORDING TO ANSI/ASME Y14.5-1994.		
●	FIT/ FUNCTION CRITICAL CHARACTERISTICS	
<S>	SAFETY/ COMPLIANCE CRITICAL CHARACTERISTICS SYMBOL	
CPK	DENOTES CPK DIMENSIONS MINIMUM CPK VALUE	
(ST)	DENOTES A CHARACTERISTIC THAT PROVIDES AN INDICATION OF PROCESS PERFORMANCE. PROCEDURE FOR MEASUREMENT AND TRACKING TO BE DEFINED IN LITTELFUSE INSPECTION INSTRUCTIONS	
CP	DENOTES CP DIMENSIONS. MINIMUM CP VALUE MUST BE WITHIN THE DIMENSIONAL LIMITATIONS SHOWN ON DRAWING AND INITIALLY LOCATED TO ALLOW FOR MAXIMUM TOOL LIFE	
PER CH-NP20-008 PROCEDURE		
DRAWN	JY. SHI	JUL./19/2021
CHECKED	J. LI	JUL./21/2021
Expertise Applied Answers Delivered		
FORM NO. CVP-PE40-0005 REV B TITLE DCNHR 9-36V COIL POLAR CONTACTOR		
THIRD ANGLE PROJECTION		
DO NOT SCALE DRAWING	SCALE 1:1	SHEET 1 OF 1