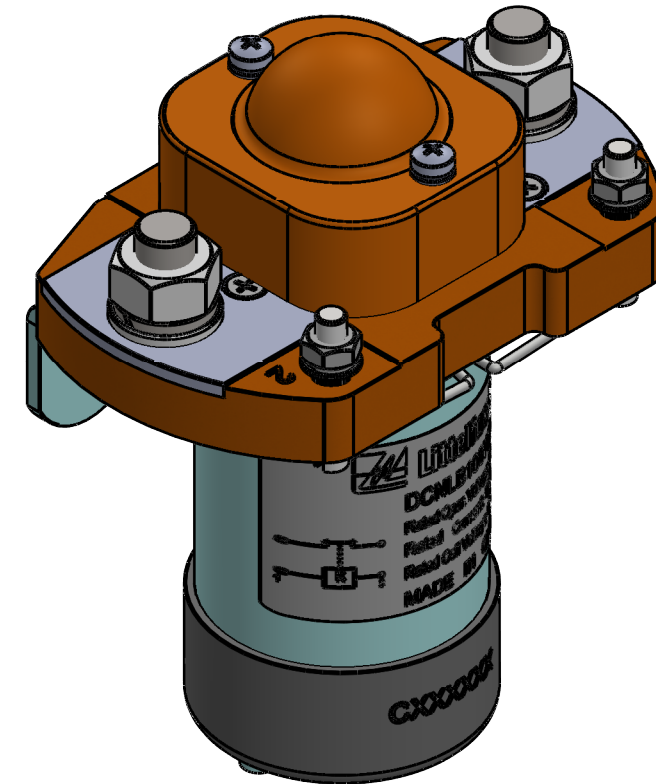
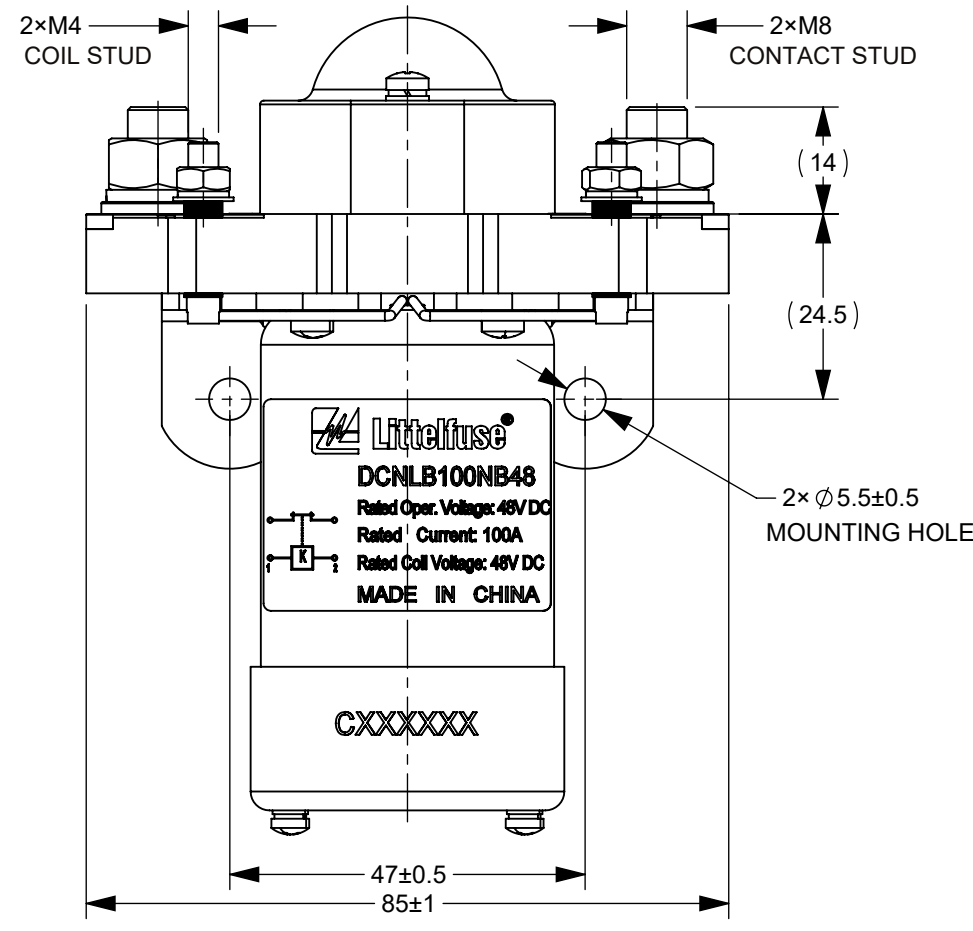
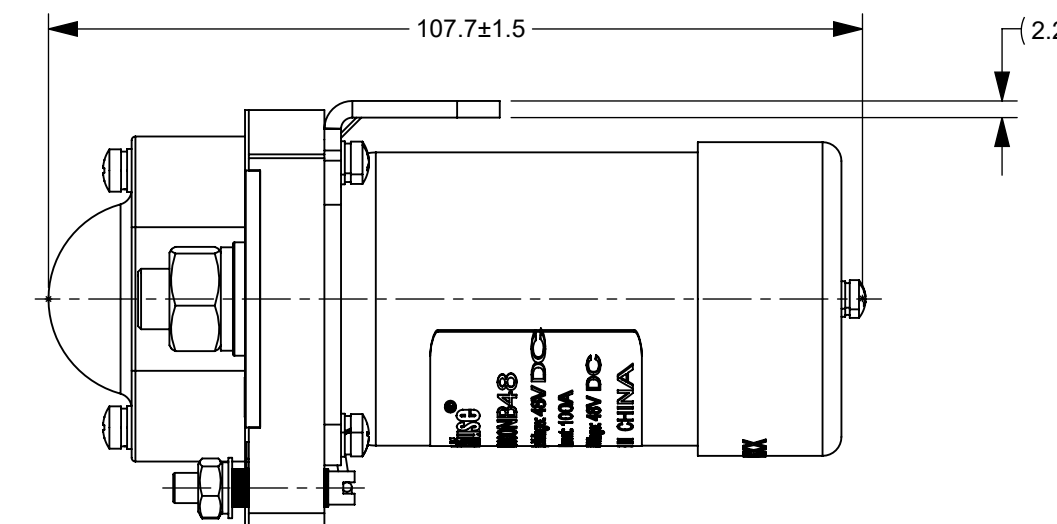
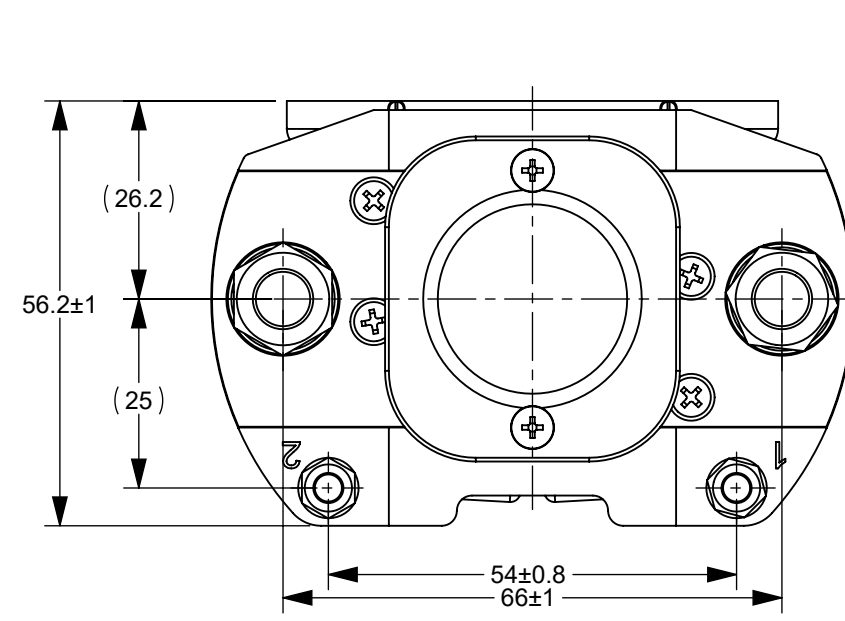


REVISIONS				
ZONE	REV.	DESCRIPTION	DATE	APPROVED
	A	GCF#524672 INITIAL RELEASE	OCT./28/2021	D. ZHANG

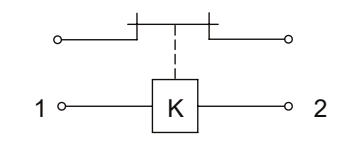


● TABLE 1: TECHNICAL PARAMETERS

ITEM		PARAMETER
HOLD POWER	START POWER	MAX 15W
	MAINTAIN POWER	MAX 15W
MAXIMUM CONTACT VOLTAGE		60V DC
RATED CONTACT VOLTAGE		48V DC
RATED CONTACT CURRENT		100A
RATED COIL VOLTAGE		48V DC
OPERATING VOLTAGE IN COLD STATE @ (20±5)°C	PICKUP	34V DC MAX
	RELEASE	4V DC MIN
OPERATE TIME		MAX 50ms
RELEASE TIME		MAX 50ms
BOUNCE TIME		MAX 12ms
CONTACT VOLTAGE DROP		≤50mV@100 A
LIMIT BREAKING ABILITY		4le/5ms, 1CYCLES
DIELECTRIC STRENGTH		1000V AC, 50Hz, 1min, LEAKAGE CURRENT ≤1 mA
INSULATION RESISTANCE		≥50 MΩ@500VDC
ELECTRIC LIFE		3000 CYCLES
MECHANICAL LIFE		100,000 CYCLES
WORKING DUTY		CONTINUOUS

- NOTES:
- ALL SIZES ARE FOR REFERENCE ONLY.
 - MATERIALS AND FINISHING:
 - BASE: THERMOSETTING PLASTIC, UL94V-0.
 - CONTACTS: SILVER ALLOY.
 - COIL STUD: COPPER ALLY, SILVER PLATED.
 - PRODUCT TECHNICAL PARAMETERS: SEE TABLE 1.
 - CONTACT ARRANGEMENT: SPST-NC.
 - CONNECTION STUD: M8 STUD, RECOMMENDED TORQUE 9 N•m ~ 11 N•m; M4 STUD, RECOMMENDED TORQUE 1.7 N•m ~ 2.5 N•m.
 - MOUNTING: M5 BOLT, RECOMMENDED TORQUE 4 N•m ~ 5 N•m.

CIRCUIT SCHEMATIC DIAGRAM



DIMENSIONS ARE SHOWN IN MILLIMETERS. DIMENSIONS AND TOLERANCES ARE DEFINED ACCORDING TO ANSI/ASME Y14.5-1994.	
●	FTI / FUNCTION CRITICAL CHARACTERISTICS
<S>	SAFETY / COMPLIANCE CRITICAL CHARACTERISTICS SYMBOL
CPK	DENOTES CPK DIMENSIONS MINIMUM CPK VALUE
(ST)	DENOTES A CHARACTERISTIC THAT PROVIDES AN INDICATION OF PROCESS PERFORMANCE. PROCEDURE FOR MEASUREMENT AND TRACKING TO BE DEFINED IN LITTELFUSE INSPECTION INSTRUCTIONS
CP	DENOTES CP DIMENSIONS. MINIMUM CP VALUE MUST BE WITHIN THE DIMENSIONAL LIMITATIONS SHOWN ON DRAWING AND INITIALLY LOCATED TO ALLOW FOR MAXIMUM TOOL LIFE
NAME	DATE
DRAWN JY. SHI	OCT./28/2021
CHECKED J. LI	OCT./28/2021
FORM NO. CVP-PE40-0005 REV B	
THIRD ANGLE PROJECTION	
SIZE C	DWG. NO. OL-DCNLB100NB48
DO NOT SCALE DRAWING	SCALE 1:1
Expertise Applied Answers Delivered	
TITLE DCNLB 100A 48V 48V COIL CONTACTOR	
REV. A	SHEET 1 OF 1