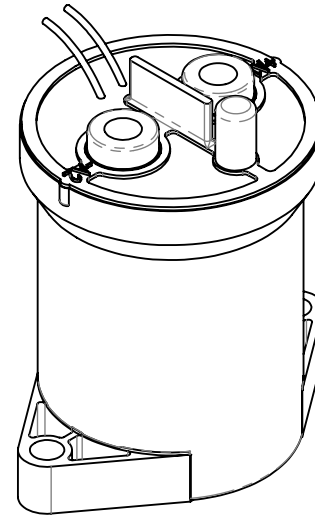
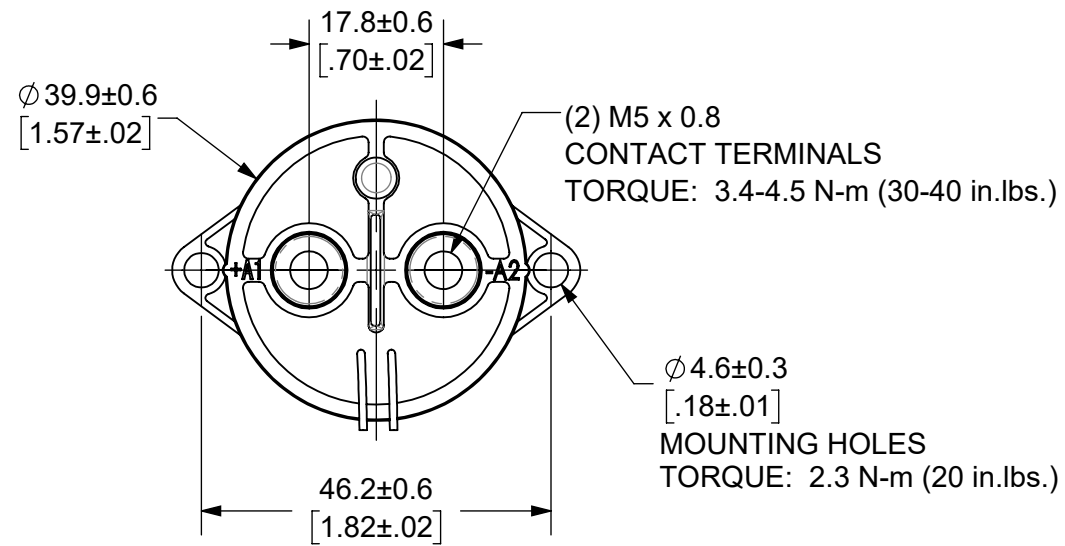


THIS DRAWING AND THE INFORMATION CONTAINED WITHIN IT ARE CONFIDENTIAL AND MAY NOT BE COPIED OR DISCLOSED WITHOUT THE WRITTEN PERMISSION OF LITTELFUSE.

REVISIONS

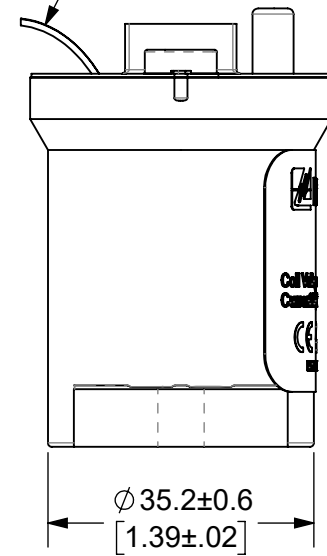
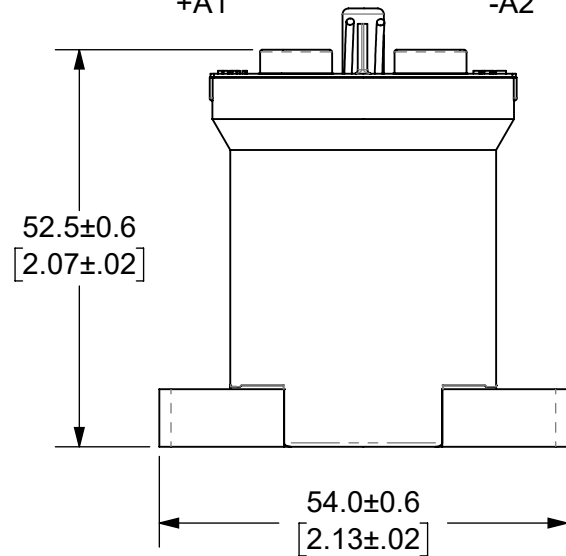
ZONE	REV.	DESCRIPTION	DATE	APPROVED
	A	INITIAL RELEASE. GCF 500000021764	12/16/2019	DGK
C4	B	UPDATED LABEL. ECR 522500	7/27/2020	DGK



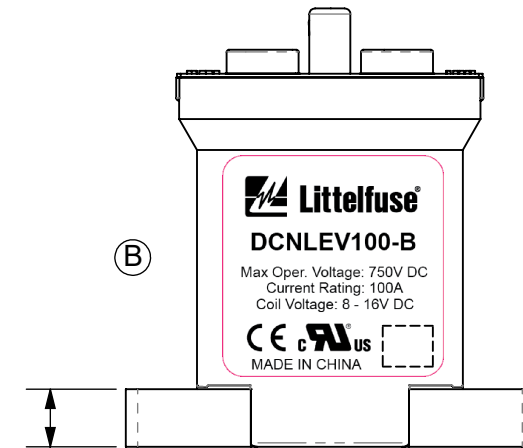
- NOTES: UNLESS OTHERWISE SPECIFIED
- CONTACT ARRANGEMENT: SPST-NO
  - CONTINUOUS CURRENT RATING: 100 AMPS
  - CONTACT VOLTAGE RATING: 12 - 750 VDC
  - CONTACT TERMINALS POLARIZED
  - HARDWARE: NONE
  - WEIGHT: 190 GRAMS (6.7 OZ.)
  - CERTIFICATIONS:  
  
 UL RECOGNIZED FOR CANADA AND THE UNITED STATES.  
 EUROPEAN ECONOMIC AREA RECOGNIZED.  
 RoHS COMPLIANT

POSITIVE TERMINAL +A1  
 NEGATIVE TERMINAL -A2

COIL WIRES, WHITE  
 LENGTH:  $380 \pm 10$  (15.0 ± 0.4)



$7.6 \pm 0.3$   
 $[.30 \pm 0.01]$



ENGINEERING DESIGN DATA

COIL DATA						SHORT CIRCUIT	DIELECTRIC VOLTAGE	ELECTRICAL LIFE
COIL VOLTAGE (VDC)	NOMINAL POWER (WATTS)	PICK-UP VOLTAGE (VDC)	DROP-OUT VOLTAGE (VDC)	MAX. VOLTAGE (VDC)	HOLDING CURRENT	MAX, 1/2 CYCLE, 60Hz	(VRMS)	100A @ 450VDC (CYCLES)
12	5.5	8	1.2	16	461mA	1250 A	2,200	10,000

INTERPRET DRAWING TO ANSI/ASME Y14.5-1994.

●	FIT/ FUNCTION CRITICAL CHARACTERISTICS SYMBOL
<S>	SAFETY/ COMPLIANCE CRITICAL CHARACTERISTICS SYMBOL
CPK	DENOTES CPK DIMENSIONS MINIMUM CPK VALUE
ST	DENOTES A CHARACTERISTIC THAT PROVIDES AN INDICATION OF PROCESS PERFORMANCE PROCEDURE FOR MEASUREMENT AND TRACKING TO BE DEFINED IN LITTELFUSE INSPECTION INSTRUCTIONS
CP	DENOTES CP DIMENSIONS, -MINIMUM CP VALUE MUST BE WITHIN THE DIMENSIONAL LIMITATIONS SHOWN ON DRAWING AND INITIALLY LOCATED TO ALLOW FOR MAXIMUM TOOL LIFE

DIMENSION: MM TOLERANCES UNLESS OTHERWISE SPECIFIED  
 ONE PLACE DECIMAL ± 0.5      THREE PLACES DECIMAL ± 0.100  
 TWO PLACES DECIMAL ± 0.20      ANGULAR ± 2°

NAME	DATE	 <b>Expertise Applied   Answers Delivered</b> <b>TITLE</b> DC CONTACTOR, 100 AMP 12 VDC			
DRAWN DGK	11/13/2019				
CHECKED AH	12/13/2019				
-	-				
FORM NO: CVP-PE40-0004 REV A		SIZE B	DWG. NO. OL-DCNLEV100-B	OUTLINE	REV. B
THIRD ANGLE PROJECTION		SCALE 1:1		SHEET 1 OF 1	

DO NOT SCALE DRAWING