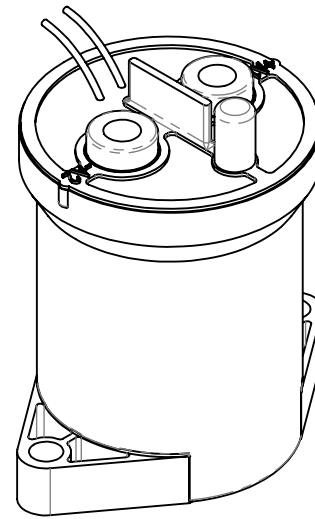
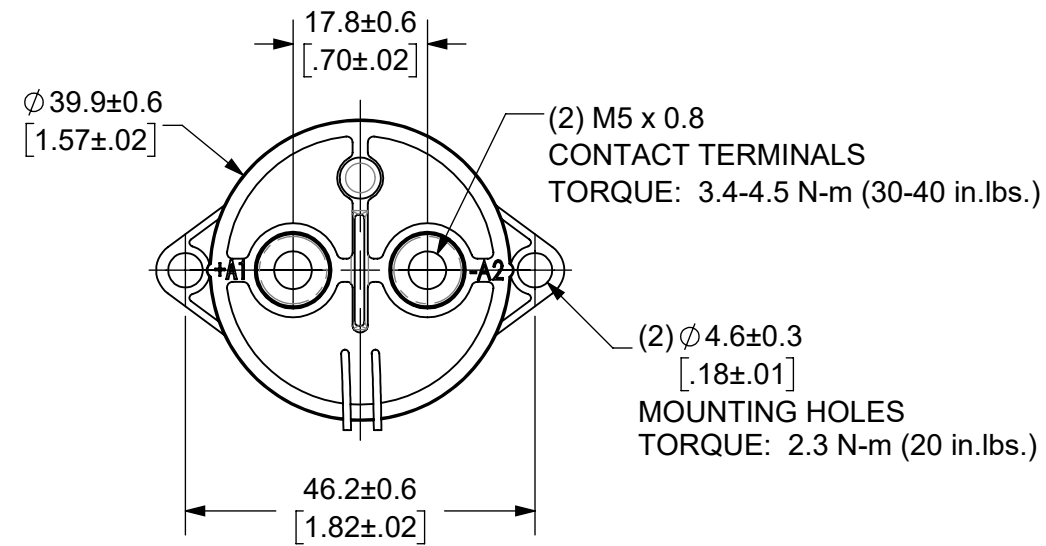


THIS DRAWING AND THE INFORMATION CONTAINED WITHIN IT ARE CONFIDENTIAL AND MAY NOT BE COPIED OR DISCLOSED WITHOUT THE WRITTEN PERMISSION OF LITTELFUSE.

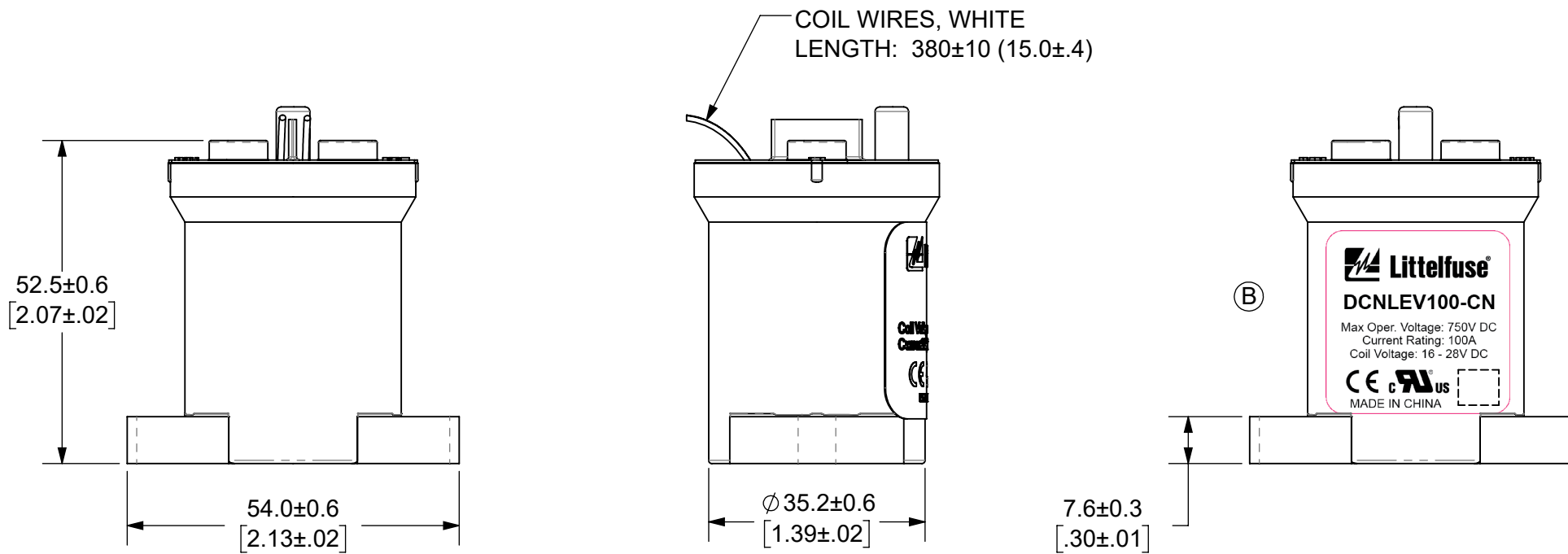
REVISIONS

ZONE	REV.	DESCRIPTION	DATE	APPROVED
	A	INITIAL RELEASE. GCF 500000021764	12/16/2019	DGK
C4, D3	B	UPDATED LABEL AND NOTE 7. ECR 522500	7/28/2020	DGK



- NOTES: UNLESS OTHERWISE SPECIFIED
- CONTACT ARRANGEMENT: SPST-NO
 - CONTINUOUS CURRENT RATING: 100 AMPS
 - CONTACT VOLTAGE RATING: 12 - 750 VDC
 - CONTACT TERMINALS NON-POLARIZED
 - HARDWARE: NONE
 - WEIGHT: 190 GRAMS (6.7 OZ.)
 - CERTIFICATIONS:

 UL RECOGNIZED FOR CANADA AND THE UNITED STATES.
 EUROPEAN ECONOMIC AREA RECOGNIZED.
 RoHS COMPLIANT



ENGINEERING DESIGN DATA

COIL DATA						SHORT CIRCUIT	DIELECTRIC VOLTAGE	ELECTRICAL LIFE
COIL VOLTAGE (VDC)	NOMINAL POWER (WATTS)	PICK-UP VOLTAGE (VDC)	DROP-OUT VOLTAGE (VDC)	MAX. VOLTAGE (VDC)	HOLDING CURRENT	MAX, 1/2 CYCLE, 60Hz	(VRMS)	100A @ 450VDC (CYCLES)
24	6.0	16	2.4	28	250mA	1250 A	2,200	10,000

INTERPRET DRAWING TO ANSI/ASME Y14.5-1994.

●	FIT/ FUNCTION CRITICAL CHARACTERISTICS SYMBOL
<S>	SAFETY/ COMPLIANCE CRITICAL CHARACTERISTICS SYMBOL
CPK	DENOTES CPK DIMENSIONS MINIMUM CPK VALUE
ST	DENOTES A CHARACTERISTIC THAT PROVIDES AN INDICATION OF PROCESS PERFORMANCE PROCEDURE FOR MEASUREMENT AND TRACKING TO BE DEFINED IN LITTELFUSE INSPECTION INSTRUCTIONS
CP	DENOTES CP DIMENSIONS, -MINIMUM CP VALUE MUST BE WITHIN THE DIMENSIONAL LIMITATIONS SHOWN ON DRAWING AND INITIALLY LOCATED TO ALLOW FOR MAXIMUM TOOL LIFE

DIMENSION: MM TOLERANCES UNLESS OTHERWISE SPECIFIED
 ONE PLACE DECIMAL ± 0.5 THREE PLACES DECIMAL ± 0.100
 TWO PLACES DECIMAL ± 0.20 ANGULAR $\pm 2^\circ$

NAME	DATE
DRAWN DGK	11/19/2019
CHECKED AH	12/13/2019
-	-
-	-

Expertise Applied | Answers Delivered
 FORM NO: CVP-PE40-0004 REV A
 THIRD ANGLE PROJECTION
 TITLE DC CONTACTOR, 100 AMP 24 VDC, NON-POLAR TERMINALS
 SIZE B DWG. NO. OL-DCNLEV100-CN OUTLINE REV. B
 DO NOT SCALE DRAWING SCALE 1:1 SHEET 1 OF 1