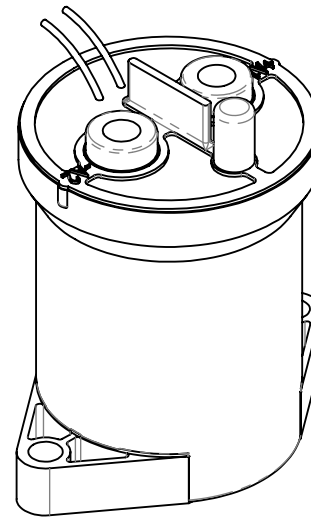
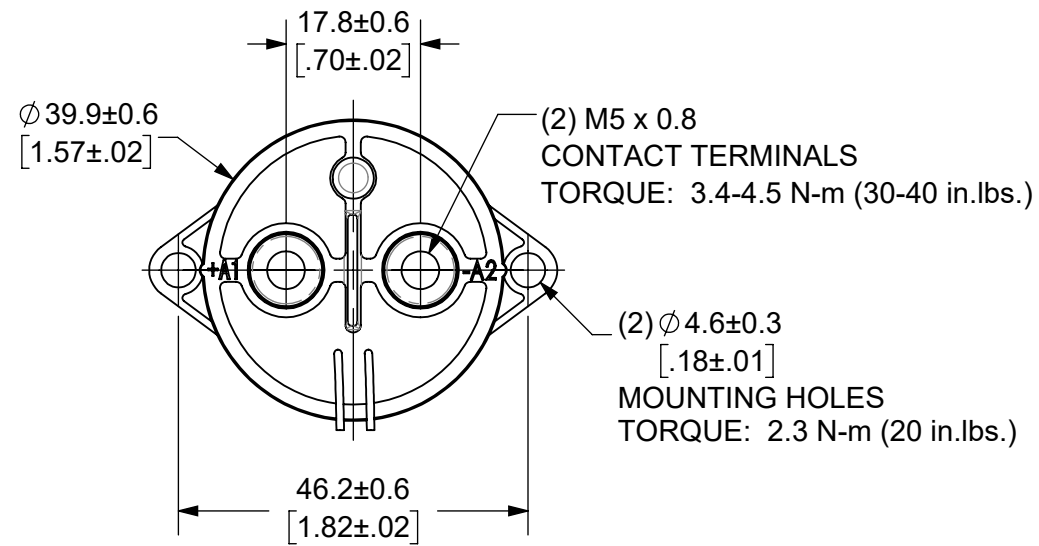


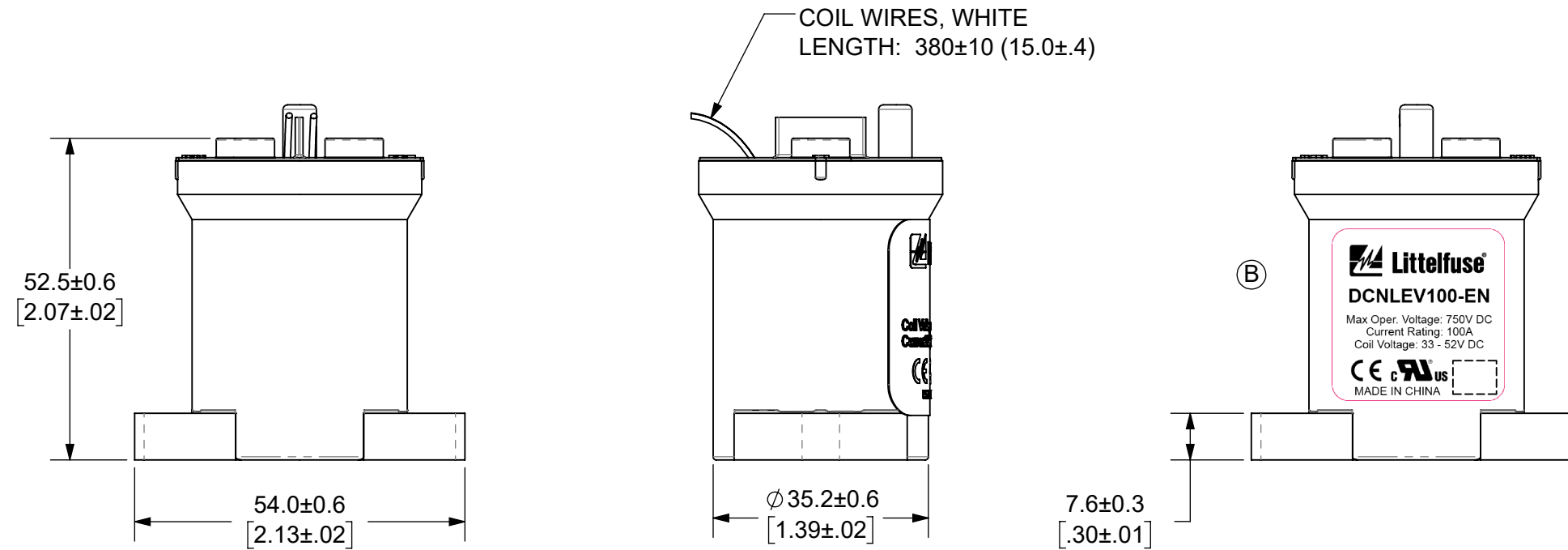
THIS DRAWING AND THE INFORMATION CONTAINED WITHIN IT ARE CONFIDENTIAL AND MAY NOT BE COPIED OR DISCLOSED WITHOUT THE WRITTEN PERMISSION OF LITTELFUSE.

REVISIONS

ZONE	REV.	DESCRIPTION	DATE	APPROVED
	A	INITIAL RELEASE. GCF 500000021764	12/17/2019	DGK
C4, D3	B	UPDATED LABEL AND NOTE 7. ECR 522500	7/29/2020	DGK



- NOTES: UNLESS OTHERWISE SPECIFIED
- CONTACT ARRANGEMENT: SPST-NO
  - CONTINUOUS CURRENT RATING: 100 AMPS
  - CONTACT VOLTAGE RATING: 12 - 750 VDC
  - CONTACT TERMINALS NON-POLARIZED
  - HARDWARE: NONE
  - WEIGHT: 190 GRAMS (6.7 OZ.)
  - CERTIFICATIONS:  
 cULus CE  
 UL RECOGNIZED FOR CANADA AND THE UNITED STATES  
 EUROPEAN ECONOMIC AREA RECOGNIZED.  
 RoHS COMPLIANT



ENGINEERING DESIGN DATA

COIL DATA						SHORT CIRCUIT	DIELECTRIC VOLTAGE (VRMS)	ELECTRICAL LIFE
COIL VOLTAGE (VDC)	NOMINAL POWER (WATTS)	PICK-UP VOLTAGE (VDC)	DROP-OUT VOLTAGE (VDC)	MAX. VOLTAGE (VDC)	HOLDING CURRENT			
48	6.0	33	4.8	52	122mA	1250 A	2,200	100A @ 450VDC (CYCLES)

INTERPRET DRAWING TO ANSI/ASME Y14.5-1994.

●	FIT/ FUNCTION CRITICAL CHARACTERISTICS SYMBOL
<S>	SAFETY/ COMPLIANCE CRITICAL CHARACTERISTICS SYMBOL
CPK	DENOTES CPK DIMENSIONS MINIMUM CPK VALUE
ST	DENOTES A CHARACTERISTIC THAT PROVIDES AN INDICATION OF PROCESS PERFORMANCE PROCEDURE FOR MEASUREMENT AND TRACKING TO BE DEFINED IN LITTELFUSE INSPECTION INSTRUCTIONS
CP	DENOTES CP DIMENSIONS, -MINIMUM CP VALUE MUST BE WITHIN THE DIMENSIONAL LIMITATIONS SHOWN ON DRAWING AND INITIALLY LOCATED TO ALLOW FOR MAXIMUM TOOL LIFE

DIMENSION: MM TOLERANCES UNLESS OTHERWISE SPECIFIED  
 ONE PLACE DECIMAL ± 0.5      THREE PLACES DECIMAL ± 0.100  
 TWO PLACES DECIMAL ± 0.20      ANGULAR ± 2°

NAME	DATE	<p><b>Littelfuse</b> Expertise Applied   Answers Delivered</p>
DRAWN DGK	11/20/2019	
CHECKED AH	12/13/2019	
-	-	

FORM NO: CVP-PE40-0004 REV A

THIRD ANGLE PROJECTION

DO NOT SCALE DRAWING

SCALE 1:1

SHEET 1 OF 1

TITLE: DC CONTACTOR, 100 AMP 48 VDC, NON-POLAR TERMINALS

SIZE B DWG. NO. OL-DCNLEV100-EN OUTLINE REV. B