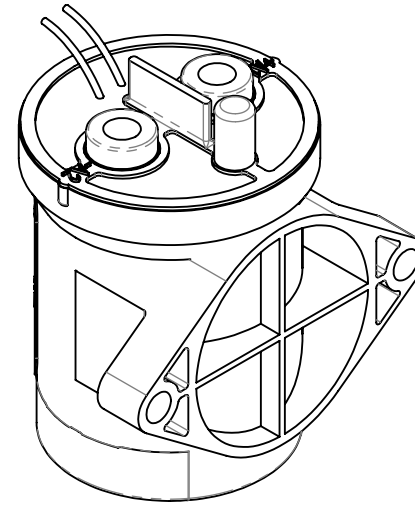
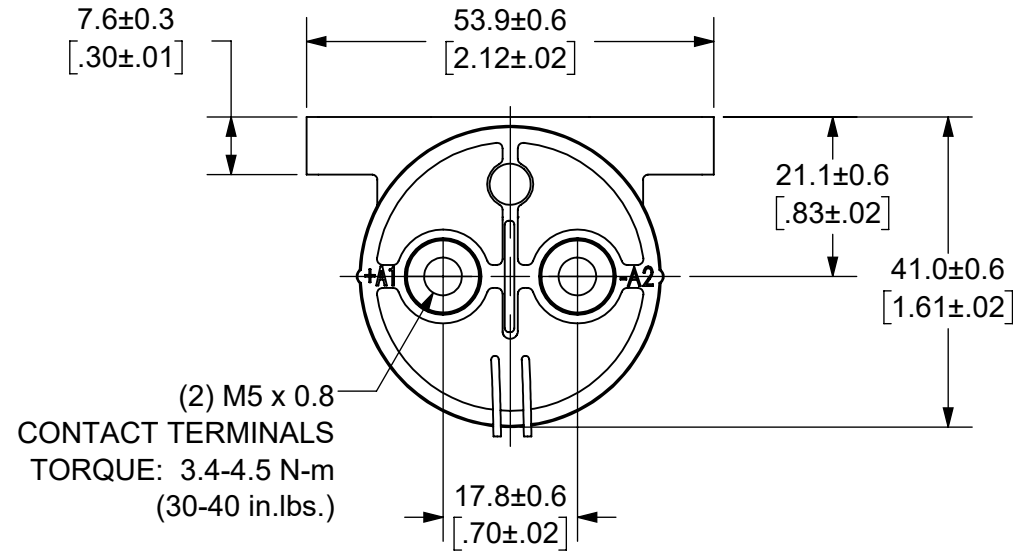


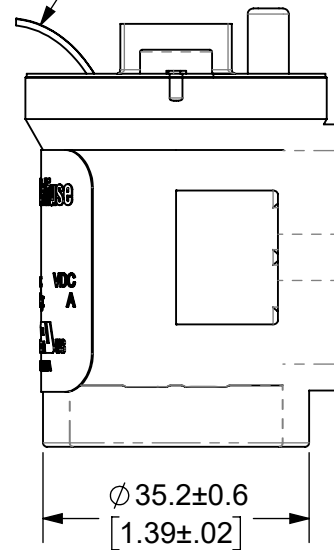
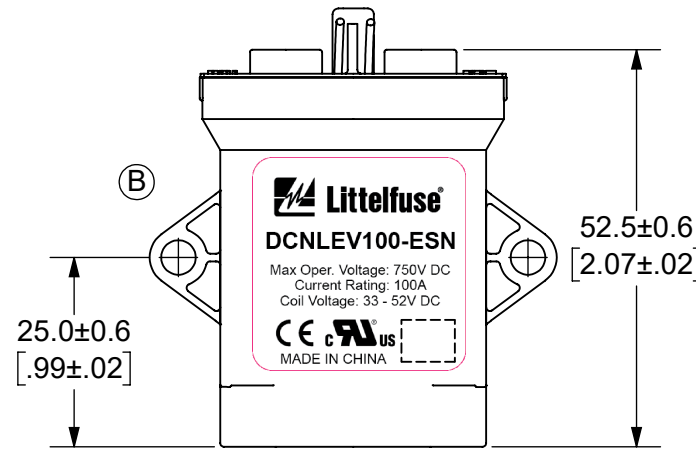
THIS DRAWING AND THE INFORMATION CONTAINED WITHIN IT ARE CONFIDENTIAL AND MAY NOT BE COPIED OR DISCLOSED WITHOUT THE WRITTEN PERMISSION OF LITTELFUSE.

REVISIONS

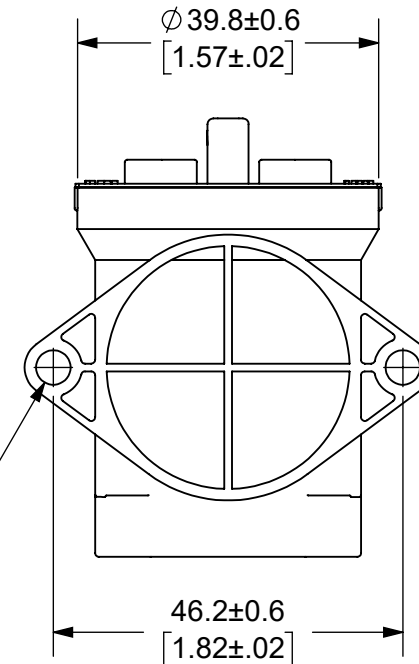
ZONE	REV.	DESCRIPTION	DATE	APPROVED
	A	INITIAL RELEASE. GCF 500000021764	12/17/2019	DGK
C8, D3	B	UPDATED LABEL AND NOTE 7. ECR 522500	7/29/2020	DGK



COIL WIRES, WHITE
LENGTH: 380±10 [15.0±.4]



(2) ϕ 4.6±0.3 [.18±.01]
MOUNTING HOLES
TORQUE: 2.3 N-m
(20 in.-lbs.)



- NOTES: UNLESS OTHERWISE SPECIFIED
- CONTACT ARRANGEMENT: SPST-NO
 - CONTINUOUS CURRENT RATING: 100 AMPS
 - CONTACT VOLTAGE RATING: 12 - 750 VDC
 - CONTACT TERMINALS NON-POLARIZED
 - HARDWARE: NONE
 - WEIGHT: 190 GRAMS (6.7 OZ.)
 - CERTIFICATIONS:

 UL RECOGNIZED FOR CANADA AND THE UNITED STATES.
 EUROPEAN ECONOMIC AREA RECOGNIZED.
 - RoHS COMPLIANT

NAME		DATE	 Expertise Applied Answers Delivered
DRAWN	DGK	11/21/2019	
CHECKED	AH	12/13/2019	
FORM NO: CVP-PE40-0004 REV A			TITLE DC CONTACTOR, 100 AMP 48 VDC, NON-POLAR TERMINALS
THIRD ANGLE PROJECTION			
SIZE	DWG. NO.	OUTLINE	REV.
B	OL-DCNLEV100-ESN	B	B
DO NOT SCALE DRAWING			SCALE 1:1
			SHEET 1 OF 1

ENGINEERING DESIGN DATA

COIL DATA						SHORT CIRCUIT	DIELECTRIC VOLTAGE	ELECTRICAL LIFE
COIL VOLTAGE (VDC)	NOMINAL POWER (WATTS)	PICK-UP VOLTAGE (VDC)	DROP-OUT VOLTAGE (VDC)	MAX. VOLTAGE (VDC)	HOLDING CURRENT	MAX, 1/2 CYCLE, 60Hz	(VRMS)	100A @ 450VDC (CYCLES)
48	6.0	33	4.8	52	122mA	1250 A	2,200	10,000