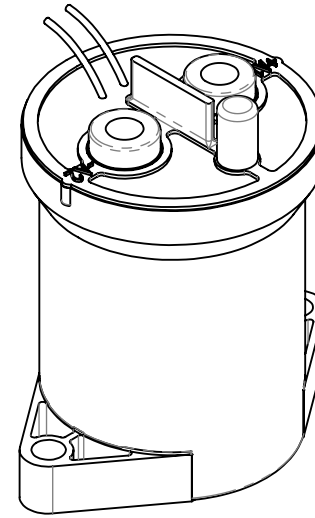
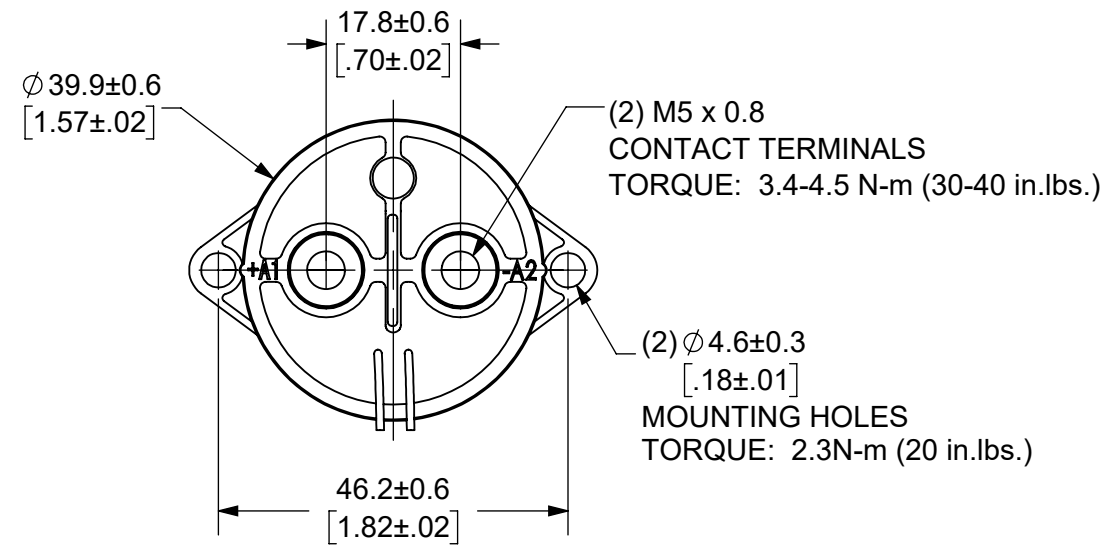


THIS DRAWING AND THE INFORMATION CONTAINED WITHIN IT ARE CONFIDENTIAL AND MAY NOT BE COPIED OR DISCLOSED WITHOUT THE WRITTEN PERMISSION OF LITTELFUSE.

REVISIONS

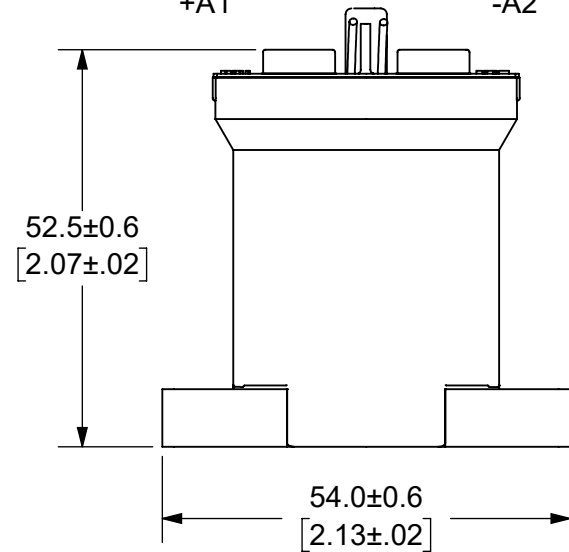
ZONE	REV.	DESCRIPTION	DATE	APPROVED
	A	INITIAL RELEASE. GCF 500000021765	12/10/2019	DGK



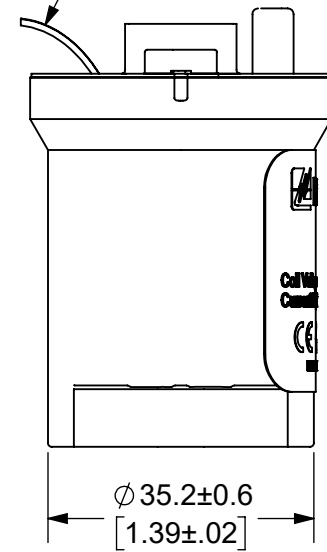
NOTES: UNLESS OTHERWISE SPECIFIED

- CONTACT ARRANGEMENT: SPST-NO
- CONTINUOUS CURRENT RATING: 50 AMPS
- CONTACT VOLTAGE RATING: 12 - 900 VDC
- CONTACT TERMINALS POLARIZED
- HARDWARE: NONE
- WEIGHT: 190 GRAMS (6.7 OZ.)
- CERTIFICATIONS:
  - UL RECOGNIZED FOR CANADA AND THE UNITED STATES.
  - EUROPEAN ECONOMIC AREA RECOGNIZED.
- RoHS COMPLIANT

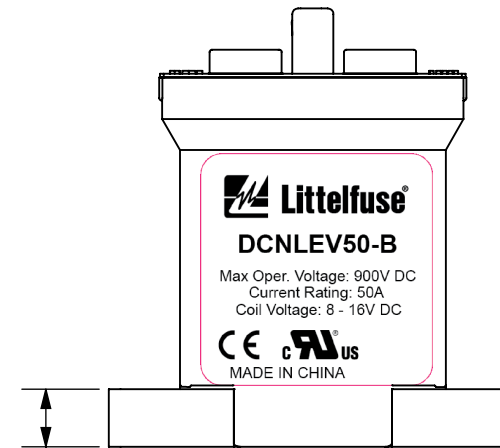
POSITIVE TERMINAL +A1  
NEGATIVE TERMINAL -A2



COIL WIRES, WHITE  
LENGTH:  $380 \pm 10$  (15.0 ± 0.4)



$7.6 \pm 0.3$  [.30 ± 0.01]



ENGINEERING DESIGN DATA

COIL DATA					SHORT CIRCUIT	DIELECTRIC VOLTAGE	ELECTRICAL LIFE	
COIL VOLTAGE (VDC)	NOMINAL POWER (WATTS)	PICK-UP VOLTAGE (VDC)	DROP-OUT VOLTAGE (VDC)	MAX. VOLTAGE (VDC)	HOLDING CURRENT	MAX, 1/2 CYCLE, 60Hz	(VRMS)	50A @ 450VDC (CYCLES)
12	5.5	8	1.2	16	461mA	1250 A	2,200	8,000

INTERPRET DRAWING TO ANSI/ASME Y14.5-1994.					
	FIT/ FUNCTION CRITICAL CHARACTERISTICS SYMBOL				
<S>	SAFETY/ COMPLIANCE CRITICAL CHARACTERISTICS SYMBOL				
CPK	DENOTES CPK DIMENSIONS MINIMUM CPK VALUE				
	DENOTES A CHARACTERISTIC THAT PROVIDES AN INDICATION OF PROCESS PERFORMANCE PROCEDURE FOR MEASUREMENT AND TRACKING TO BE DEFINED IN LITTELFUSE INSPECTION INSTRUCTIONS				
CP	DENOTES CP DIMENSIONS, -MINIMUM CP VALUE MUST BE WITHIN THE DIMENSIONAL LIMITATIONS SHOWN ON DRAWING AND INITIALLY LOCATED TO ALLOW FOR MAXIMUM TOOL LIFE				
DIMENSION: MM TOLERANCES UNLESS OTHERWISE SPECIFIED ONE PLACE DECIMAL ± 0.5      THREE PLACES DECIMAL ± 0.100 TWO PLACES DECIMAL ± 0.20      ANGULAR ± 2°					
NAME	DATE	 <b>Expertise Applied   Answers Delivered</b> <b>TITLE</b> DC CONTACTOR, 50 AMP 12 VDC			
DRAWN	DGK			11/08/2019	
CHECKED	AH			12/11/2019	
FORM NO: CVP-PE40-0004 REV A		SIZE	DWG. NO.	OUTLINE	REV.
THIRD ANGLE PROJECTION		B	OL-DCNLEV50-B		A
		DO NOT SCALE DRAWING		SCALE 1:1	SHEET 1 OF 1