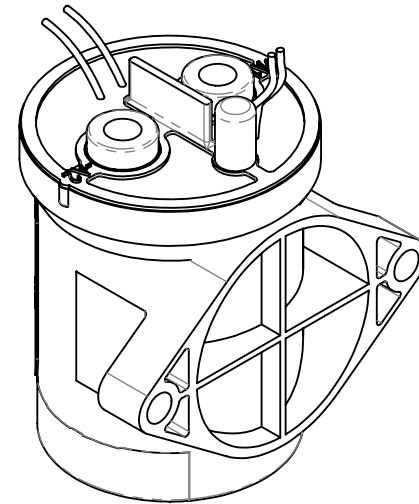
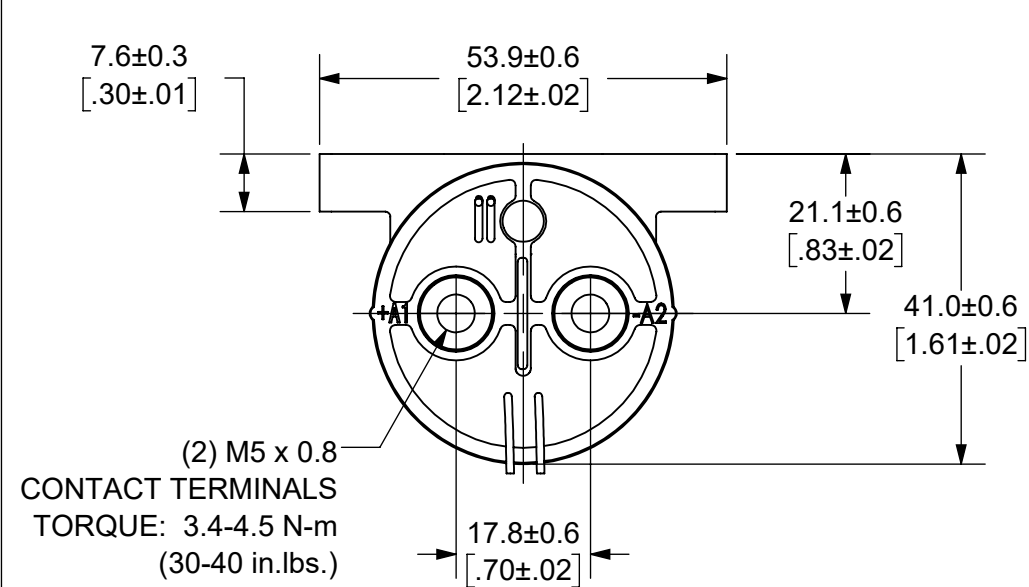


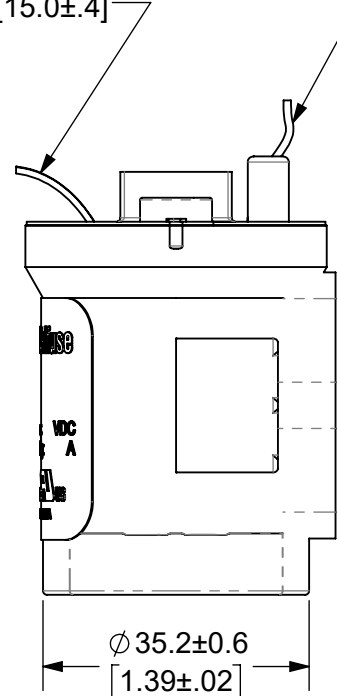
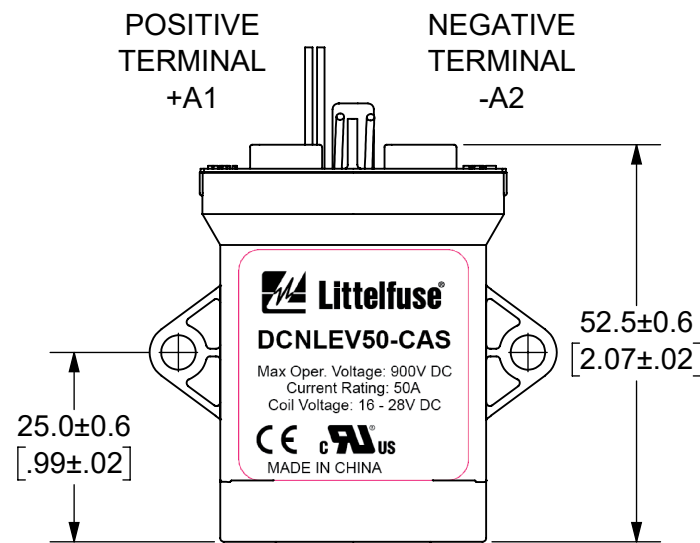
THIS DRAWING AND THE INFORMATION CONTAINED WITHIN IT ARE CONFIDENTIAL AND MAY NOT BE COPIED OR DISCLOSED WITHOUT THE WRITTEN PERMISSION OF LITTELFUSE.

| REVISIONS |      |                                   |            |          |
|-----------|------|-----------------------------------|------------|----------|
| ZONE      | REV. | DESCRIPTION                       | DATE       | APPROVED |
|           | A    | INITIAL RELEASE. GCF 500000021765 | 12/10/2019 | DGK      |

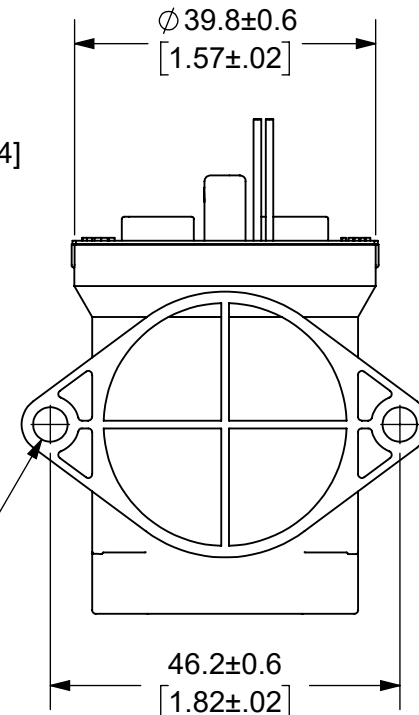


COIL WIRES, WHITE  
 LENGTH: 380±10 [15.0±.4]

AUXILIARY CONTACT, SPST-NO  
 BLACK WIRES  
 LENGTH: 380±10 [15.0±.4]



(2) Ø 4.6±0.3 [.18±.01]  
 MOUNTING HOLES  
 TORQUE: 2.3 N-m (20 in.-lbs.)



- NOTES: UNLESS OTHERWISE SPECIFIED
- CONTACT ARRANGEMENT: SPST-NO
  - CONTINUOUS CURRENT RATING: 50 AMPS
  - CONTACT VOLTAGE RATING: 12 - 900 VDC
  - CONTACT TERMINALS POLARIZED
  - HARDWARE: NONE
  - WEIGHT: 190 GRAMS (6.7 OZ.)
  - CERTIFICATIONS:  
  
 UL RECOGNIZED FOR CANADA AND THE UNITED STATES.  
 EUROPEAN ECONOMIC AREA RECOGNIZED.
  - RoHS COMPLIANT
  - AUXILIARY CONTACT RATING, SPST-NO:  
 2A @ 30VDC  
 3A @ 125VDC

|   |  |
|---|--|
| INTERPRET DRAWING TO ANSI/ASME Y14.5-1994.  |  |
| ●   | FIT/ FUNCTION CRITICAL CHARACTERISTICS SYMBOL  |
| <S>   | SAFETY/ COMPLIANCE CRITICAL CHARACTERISTICS SYMBOL   |
| CPK   | DENOTES CPK DIMENSIONS MINIMUM CPK VALUE   |
| ST  | DENOTES A CHARACTERISTIC THAT PROVIDES AN INDICATION OF PROCESS PERFORMANCE PROCEDURE FOR MEASUREMENT AND TRACKING TO BE DEFINED IN LITTELFUSE INSPECTION INSTRUCTIONS |
| CP  | DENOTES CP DIMENSIONS, -MINIMUM CP VALUE MUST BE WITHIN THE DIMENSIONAL LIMITATIONS SHOWN ON DRAWING AND INITIALLY LOCATED TO ALLOW FOR MAXIMUM TOOL LIFE              |
| DIMENSION: MM TOLERANCES UNLESS OTHERWISE SPECIFIED<br>ONE PLACE DECIMAL ± 0.5 THREE PLACES DECIMAL ± 0.100<br>TWO PLACES DECIMAL ± 0.20 ANGULAR ± 2° |  |
| NAME  | DATE   |
| DRAWN DGK   | 11/12/2019   |
| CHECKED AH  | 12/11/2019   |
| <b>Littelfuse</b><br>Expertise Applied   Answers Delivered  |  |
| FORM NO: CVP-PE40-0004 REV A  |  |
| THIRD ANGLE PROJECTION  |  |
| SIZE B  | DWG. NO. OL-DCNLEV50-CAS   |
| DO NOT SCALE DRAWING  | SCALE 1:1  |
| TITLE<br>DC CONTACTOR, 50 AMP<br>24 VDC, AUX. CONTACT   |  |
| OUTLINE REV. A  | SHEET 1 OF 1   |

ENGINEERING DESIGN DATA

| COIL DATA          |                       |                       |                        |                    |                 | SHORT CIRCUIT        | DIELECTRIC VOLTAGE | ELECTRICAL LIFE       |
|--------------------|-----------------------|-----------------------|------------------------|--------------------|-----------------|----------------------|--------------------|-----------------------|
| COIL VOLTAGE (VDC) | NOMINAL POWER (WATTS) | PICK-UP VOLTAGE (VDC) | DROP-OUT VOLTAGE (VDC) | MAX. VOLTAGE (VDC) | HOLDING CURRENT | MAX, 1/2 CYCLE, 60Hz | (VRMS)             | 50A @ 450VDC (CYCLES) |
| 24                 | 6.0                   | 16                    | 2.4                    | 28                 | 250mA           | 1250 A               | 2,200              | 8,000                 |