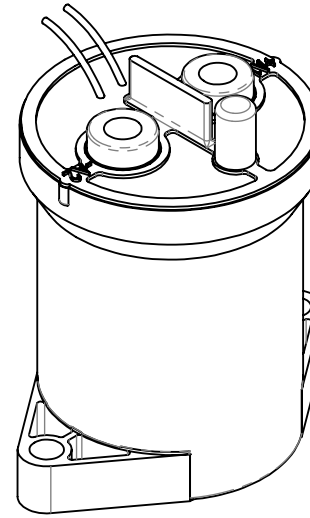
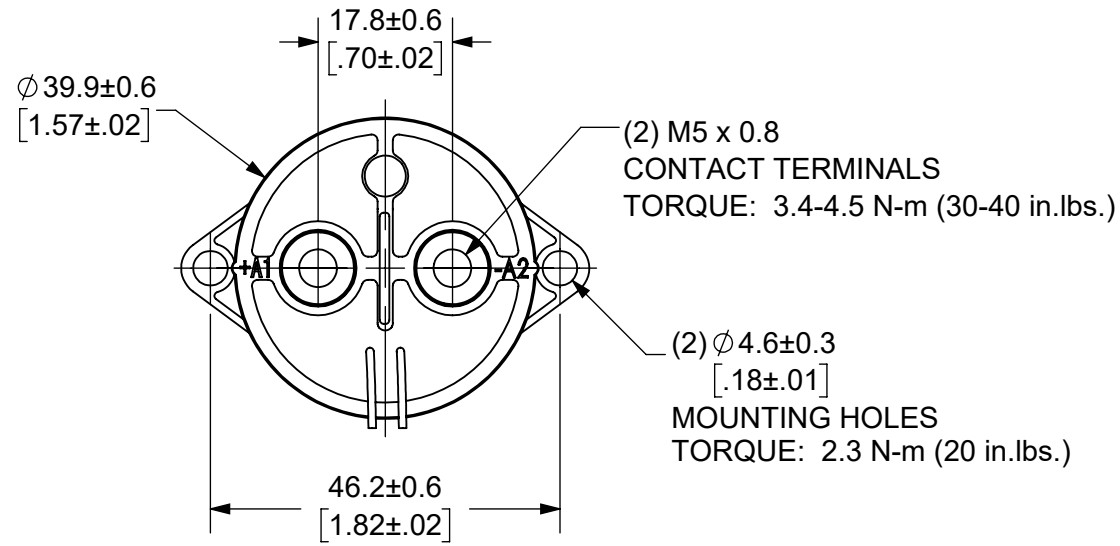


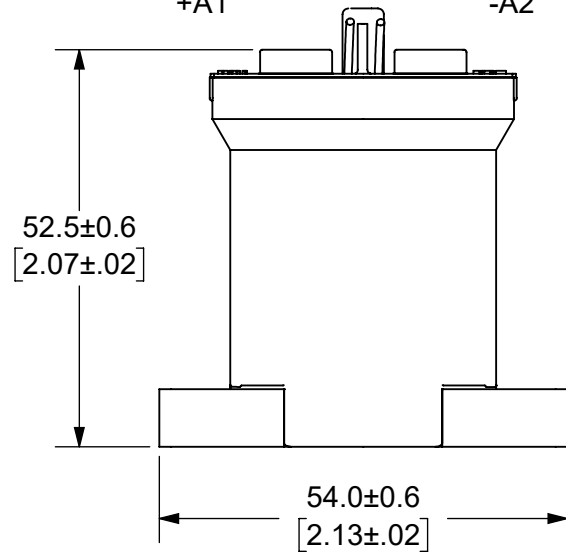
THIS DRAWING AND THE INFORMATION CONTAINED WITHIN IT ARE CONFIDENTIAL AND MAY NOT BE COPIED OR DISCLOSED WITHOUT THE WRITTEN PERMISSION OF LITTELFUSE.

REVISIONS				
ZONE	REV.	DESCRIPTION	DATE	APPROVED
	A	INITIAL RELEASE. GCF 500000021765	12/10/2019	DGK

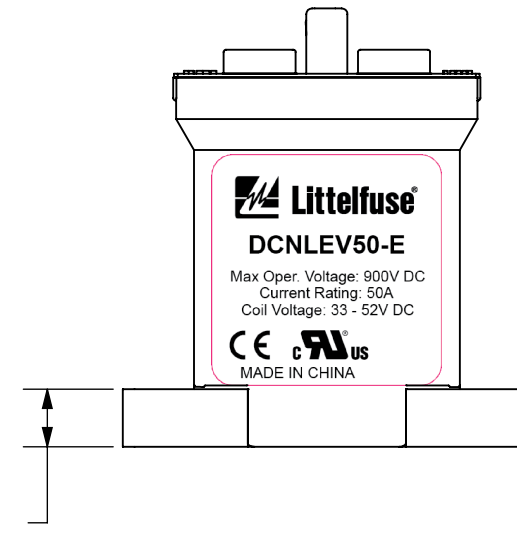
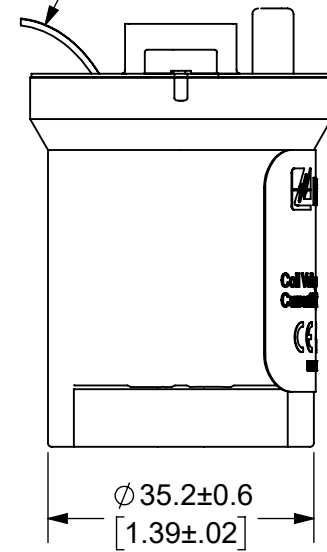


- NOTES: UNLESS OTHERWISE SPECIFIED
- CONTACT ARRANGEMENT: SPST-NO
  - CONTINUOUS CURRENT RATING: 50 AMPS
  - CONTACT VOLTAGE RATING: 12 - 900 VDC
  - CONTACT TERMINALS POLARIZED
  - HARDWARE: NONE
  - WEIGHT: 190 GRAMS (6.7 OZ.)
  - CERTIFICATIONS:
    - UL RECOGNIZED FOR CANADA AND THE UNITED STATES.
    - EUROPEAN ECONOMIC AREA RECOGNIZED.
  - RoHS COMPLIANT

POSITIVE TERMINAL +A1  
NEGATIVE TERMINAL -A2



COIL WIRES, WHITE  
LENGTH: 380±10 (15.0±.4)



**Littelfuse**  
DCNLEV50-E  
Max Oper. Voltage: 900V DC  
Current Rating: 50A  
Coil Voltage: 33 - 52V DC  
CE MADE IN CHINA

INTERPRET DRAWING TO ANSI/ASME Y14.5-1994.	
	FIT/ FUNCTION CRITICAL CHARACTERISTICS SYMBOL
<S>	SAFETY/ COMPLIANCE CRITICAL CHARACTERISTICS SYMBOL
CPK	DENOTES CPK DIMENSIONS MINIMUM CPK VALUE
	DENOTES A CHARACTERISTIC THAT PROVIDES AN INDICATION OF PROCESS PERFORMANCE. PROCEDURE FOR MEASUREMENT AND TRACKING TO BE DEFINED IN LITTELFUSE INSPECTION INSTRUCTIONS
CP	DENOTES CP DIMENSIONS. -MINIMUM CP VALUE MUST BE WITHIN THE DIMENSIONAL LIMITATIONS SHOWN ON DRAWING AND INITIALLY LOCATED TO ALLOW FOR MAXIMUM TOOL LIFE
DIMENSION: MM TOLERANCES UNLESS OTHERWISE SPECIFIED ONE PLACE DECIMAL ± 0.5      THREE PLACES DECIMAL ± 0.100 TWO PLACES DECIMAL ± 0.20      ANGULAR ± 2°	
NAME	DATE
DRAWN DGK	11/12/2019
CHECKED AH	12/11/2019
<b>Littelfuse</b> Expertise Applied   Answers Delivered	
FORM NO: CVP-PE40-0004 REV A	
THIRD ANGLE PROJECTION	
TITLE <b>DC CONTACTOR, 50 AMP 48 VDC</b>	
SIZE B	DWG. NO. OL-DCNLEV50-E
DO NOT SCALE DRAWING	SCALE 1:1
OUTLINE	REV. A
SHEET 1 OF 1	

ENGINEERING DESIGN DATA

COIL DATA						SHORT CIRCUIT	DIELECTRIC VOLTAGE	ELECTRICAL LIFE
COIL VOLTAGE (VDC)	NOMINAL POWER (WATTS)	PICK-UP VOLTAGE (VDC)	DROP-OUT VOLTAGE (VDC)	MAX. VOLTAGE (VDC)	HOLDING CURRENT	MAX, 1/2 CYCLE, 60Hz	(VRMS)	50A @ 450VDC (CYCLES)
48	6.0	33	4.8	52	122mA	1250 A	2,200	8,000