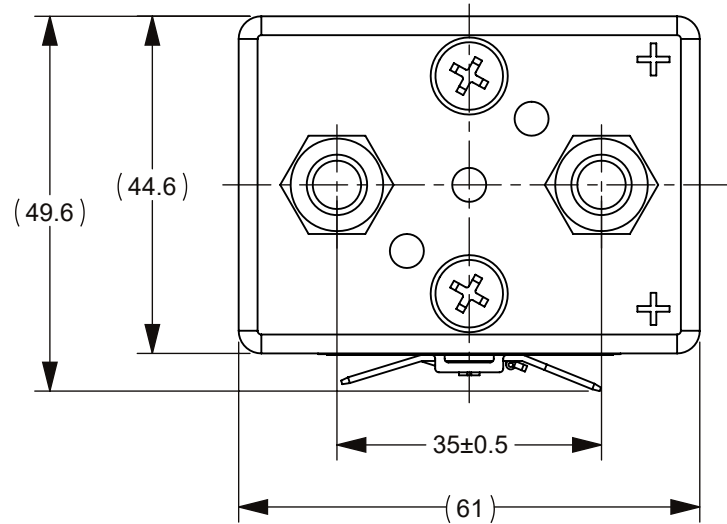
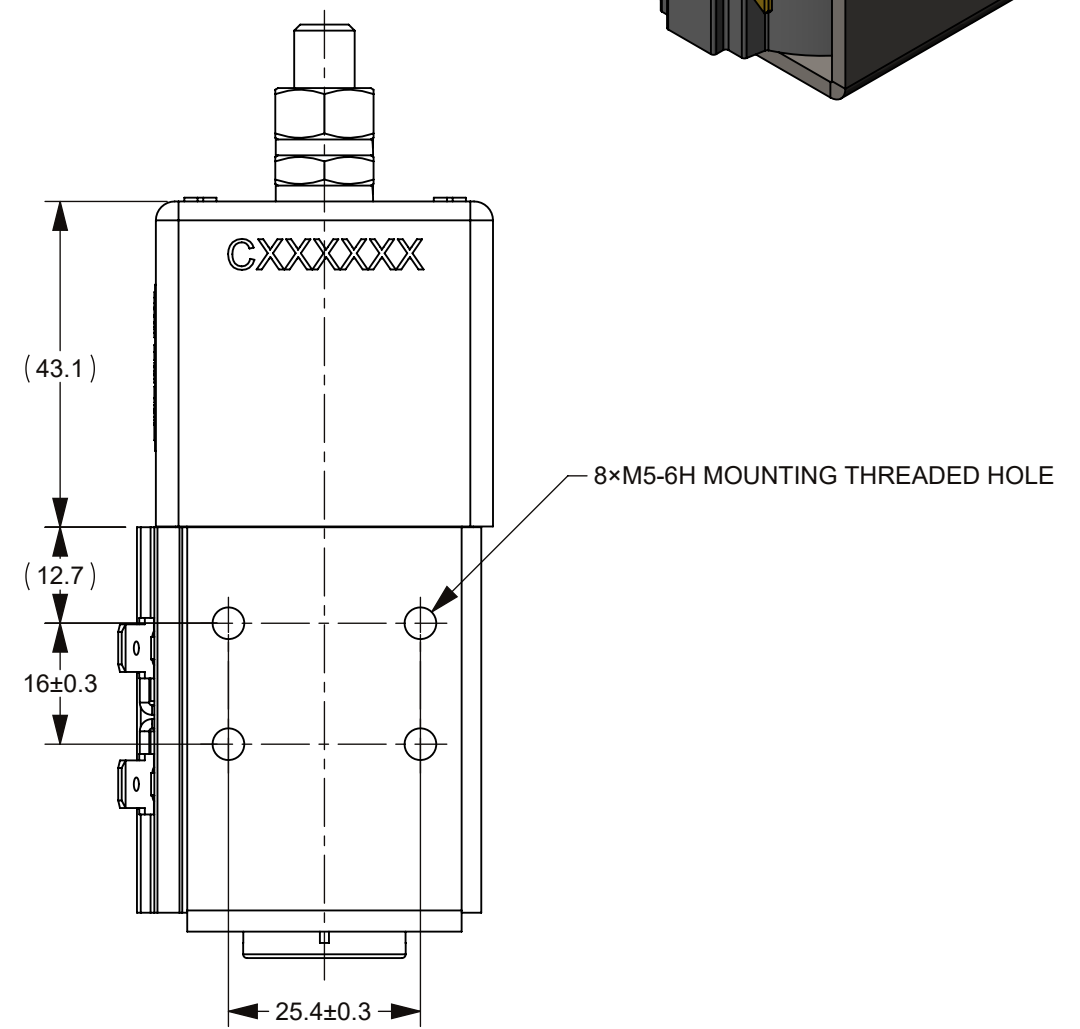
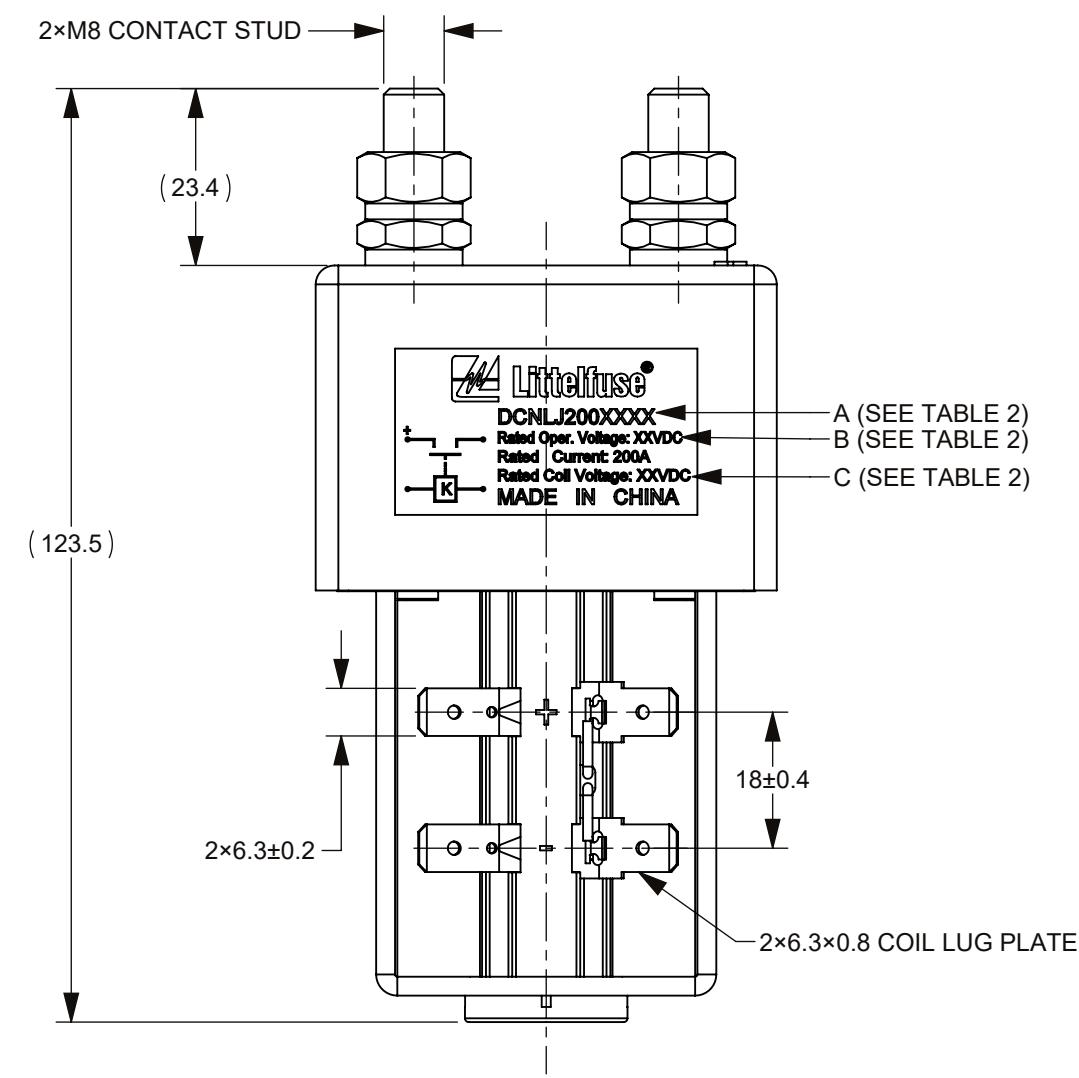
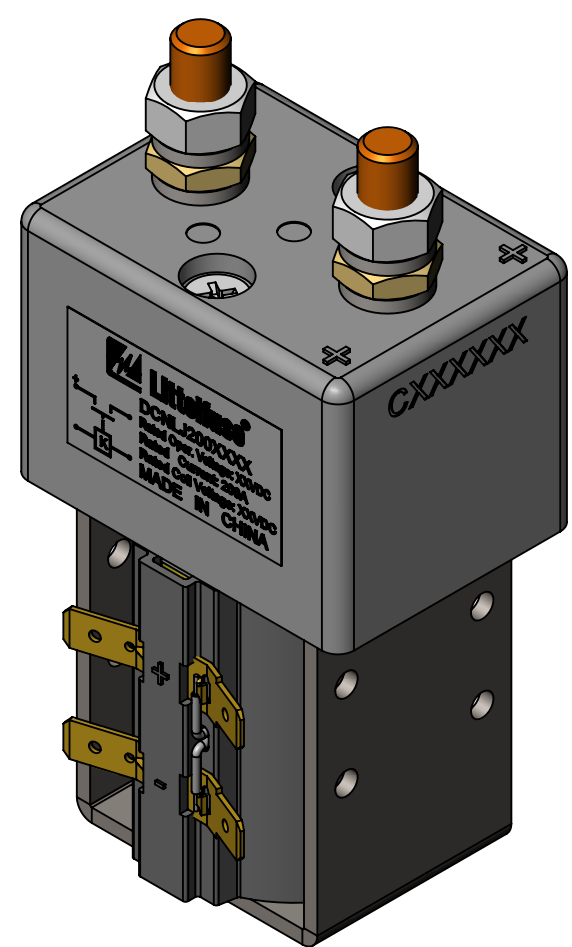
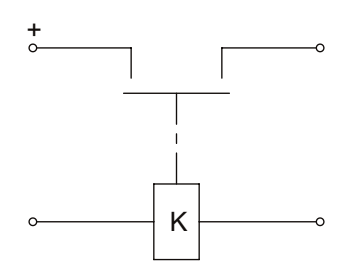


REVISIONS				
ZONE	REV.	DESCRIPTION	DATE	APPROVED
	A	GCF#524670 INITIAL RELEASE	OCT./25/2021	D. ZHANG



CIRCUIT SCHEMATIC DIAGRAM



TECHNICAL PARAMETERS 1

ITEM	PARAMETER			
	DCNLJ200NB24	DCNLJ200PD24	DCNLJ200NB48	DCNLJ200NB60
RATED COIL VOLTAGE	24V DC	24V DC	48V DC	60V DC
HOLD POWER	MAX 15W	MAX 15W	MAX 15W	MAX 17W
OPERATING VOLTAGE IN COLD STATE AT (20±5)°C	PICKUP(V DC)	MAX 16.8	MAX 16.8	MAX 33.6
	RELEASE(V DC)	MIN 2.0	MIN 2.0	MIN 4.0
OPERATE TIME	MAX 50ms			
RELEASE TIME	MAX 25ms			
BOUNCE TIME	MAX 7ms			
CONTACT VOLTAGE DROP	≤50mV@100 A			
DIELECTRIC STRENGTH	1000V AC, 50Hz, 1min., LEAKAGE CURRENT ≤1 mA			
INSULATION RESISTANCE	≥50MΩ@500VDC			
RATED CONTACT VOLTAGE	48V DC	96V DC	48V DC	48V DC
MAXIMUM CONTACT VOLTAGE	60V DC	110V DC	60V DC	60V DC
RATED CONTACT CURRENT	200A			
LIMIT BREAKING ABILITY	4le/5ms, 1CYCLES			
ELECTRIC LIFE	6000 CYCLES			
MECHANICAL LIFE	100,000 CYCLES			
WORKING DUTY	CONTINUOUS			

TABLE 2

PRODUCT NUMBER	"A"	"B"	"C"
DCNLJ200NB24	DCNLJ200NB24	Rated Oper. Voltage: 48VDC	Rated Coil Voltage: 24VDC
DCNLJ200PD24	DCNLJ200PD24	Rated Oper. Voltage: 96VDC	Rated Coil Voltage: 24VDC
DCNLJ200NB48	DCNLJ200NB48	Rated Oper. Voltage: 48VDC	Rated Coil Voltage: 48VDC
DCNLJ200NB60	DCNLJ200NB60	Rated Oper. Voltage: 48VDC	Rated Coil Voltage: 60VDC

NOTES:

- ALL SIZES ARE FOR REFERENCE ONLY.
- MATERIALS AND FINISHING:
 - BASE: PHENOLPLASTIC, UL94V-0.
 - CONTACTS: SILVER ALLOY.
 - STUD: COPPER ROD.
 - COIL LUG PLATE: BRASS STRIP.
- PRODUCT TECHNICAL PARAMETERS: SEE TABLE 1.
- PRODUCT AND NAMEPLATE (THE CHARACTER CONTENT AT "A", "B" AND "C") CONFIGURATION SEE TABLE 2.
- CONTACT ARRANGEMENT: SPST-NO.
- CONNECTION STUD: M8 STUD, RECOMMENDED TORQUE: 8 N•m ~ 9 N•m.
- MOUNTING: M5 BOLT, RECOMMENDED TORQUE: 4 N•m-5 N•m.

DIMENSIONS ARE SHOWN IN MILLIMETERS. DIMENSIONS AND TOLERANCES ARE DEFINED ACCORDING TO ANSI/ASME Y14.5-1994.

PER CHN-PPD-008 PROCEDURE

- FIT/ FUNCTION CRITICAL CHARACTERISTICS
- <S> SAFETY/ COMPLIANCE CRITICAL CHARACTERISTICS SYMBOL
- CPK DENOTES CPK DIMENSIONS MINIMUM CPK VALUE
- (ST) DENOTES A CHARACTERISTIC THAT PROVIDES AN INDICATION OF PROCESS PERFORMANCE PROCEDURE FOR MEASUREMENT AND TRACKING TO BE DEFINED IN LITTELFUSE INSPECTION INSTRUCTIONS
- CP DENOTES CP DIMENSIONS. MINIMUM CP VALUE MUST BE WITHIN THE DIMENSIONAL LIMITATIONS SHOWN ON DRAWING AND INITIALLY LOCATED TO ALLOW FOR MAXIMUM TOOL LIFE

DRAWN	MJ. DAI	DATE	OCT./25/2021
CHECKED	J. LI	DATE	OCT./30/2021

FORM NO. CVP-PE40-0005 REV B

THIRD ANGLE PROJECTION

Littelfuse
Expertise Applied | Answers Delivered

TITLE: DCNLJ 200A CONTACTOR

SIZE: C DWG. NO. OL-DCNLJ200.CHART REV. A

DO NOT SCALE DRAWING SCALE 1:1 SHEET 1 OF 1