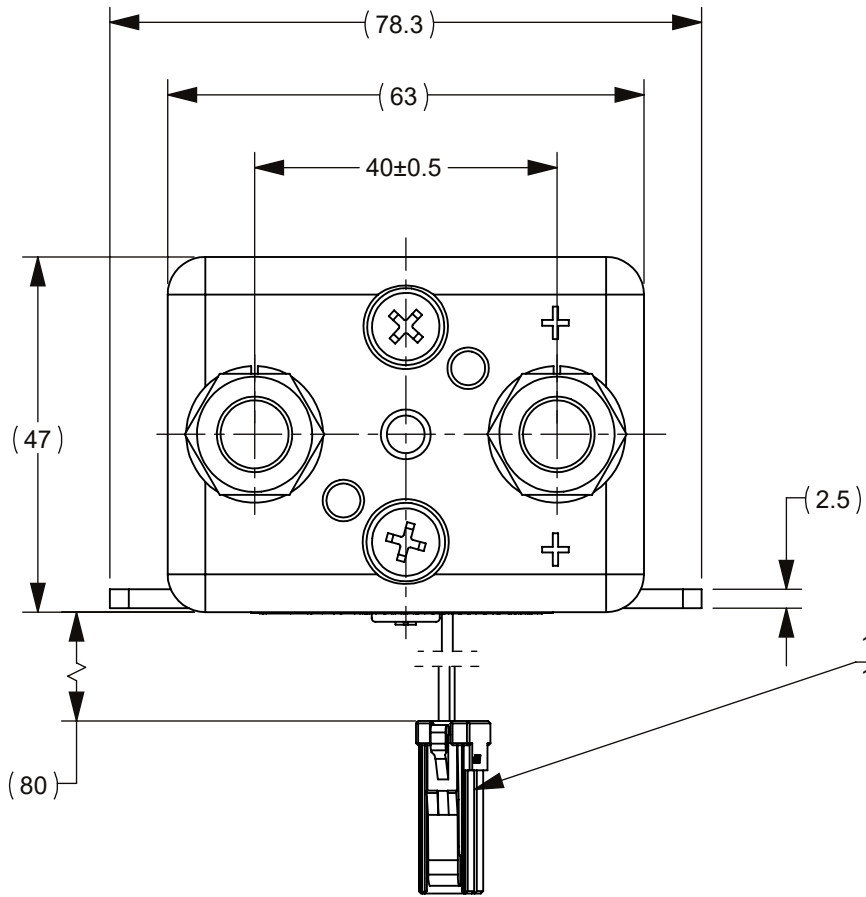
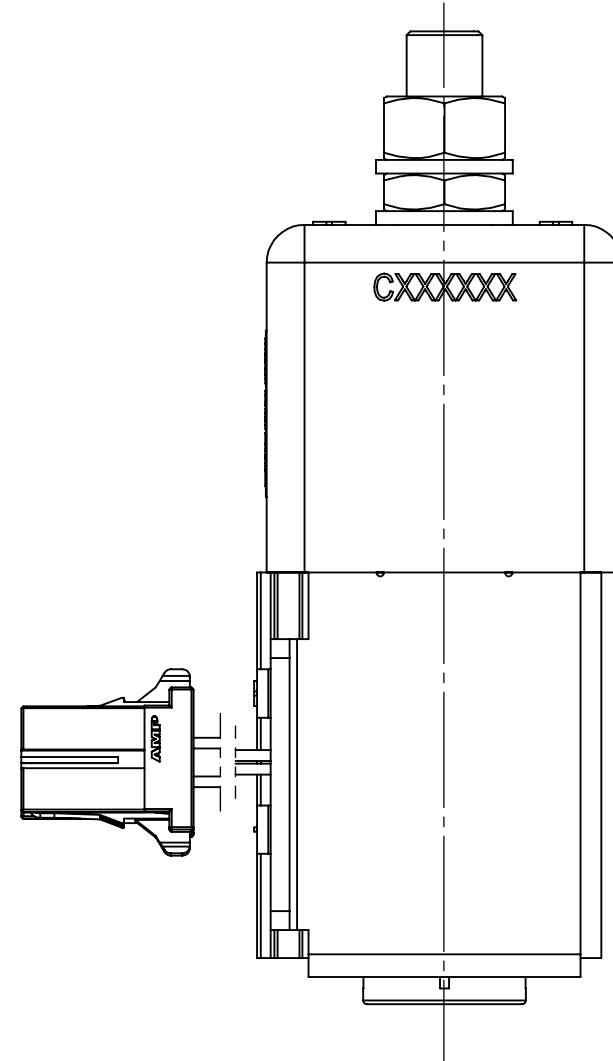
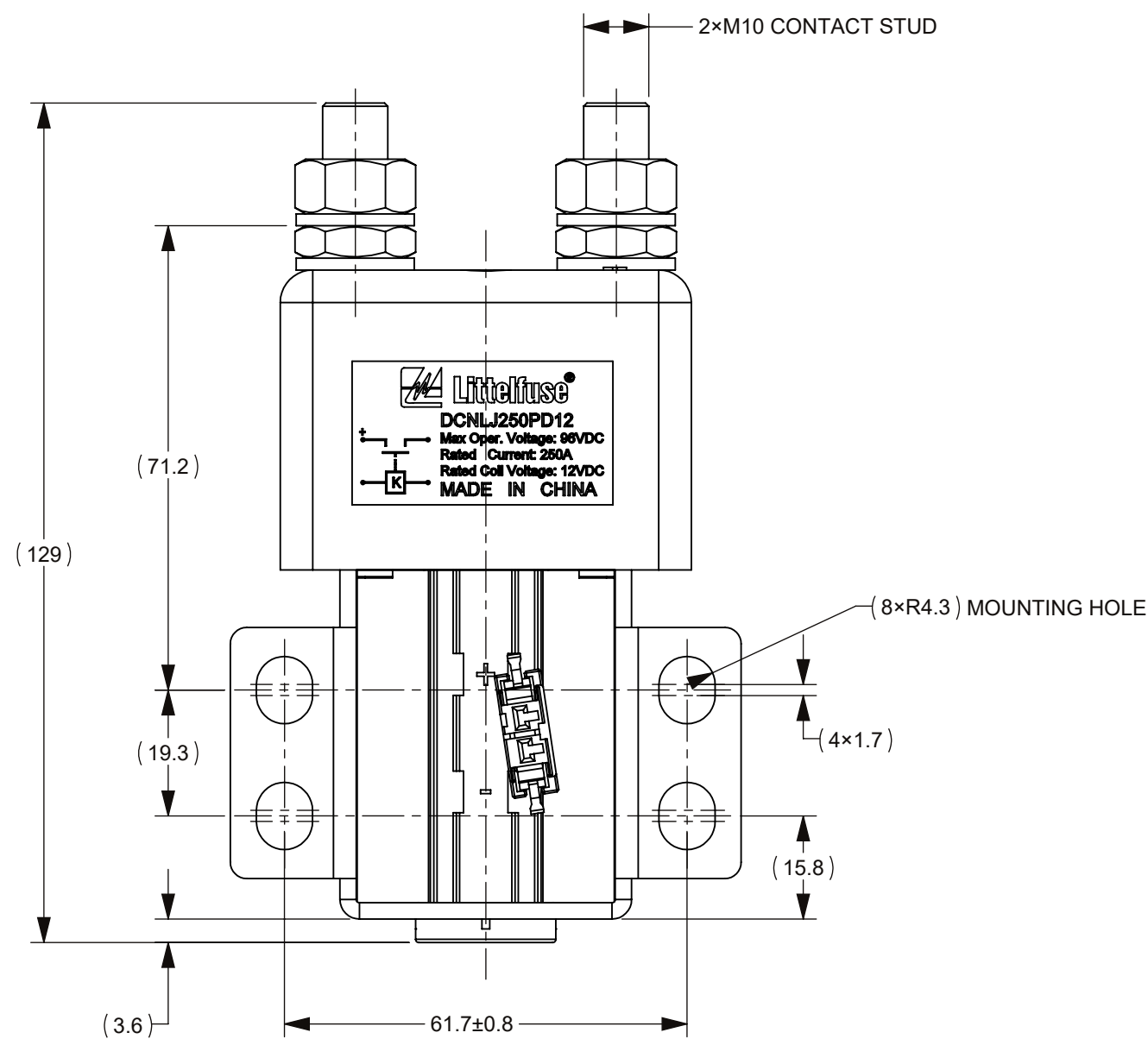
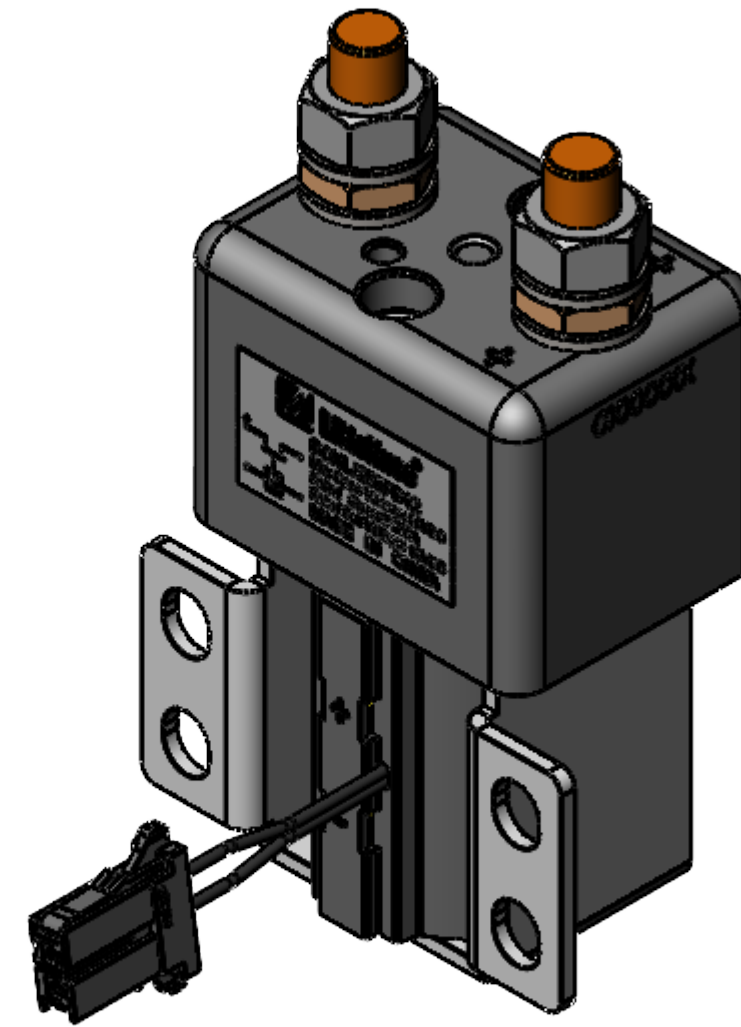
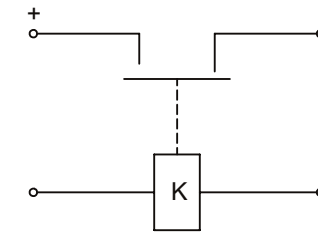


REVISIONS				
ZONE	REV.	DESCRIPTION	DATE	APPROVED
	A	GCF#524336 INITIAL RELEASE	AUG./15/2021	D. ZHANG
B1; D1	B	CCO-100372 60ms was 50ms; 50MΩ was 20MΩ	Oct./12/2022	D. ZHANG



CIRCUIT SCHEMATIC DIAGRAM



- NOTES:
- ALL SIZES ARE FOR REFERENCE ONLY.
 - MATERIALS AND FINISH:
2.1 BASE: PHENOLPLASTIC, UL94V-0.
2.2 CONTACTS: SILVER ALLOY.
2.3 STUD: COPPER ROD.
 - PRODUCT TECHNICAL PARAMETERS: SEE TABLE 1.
 - CONNECTORS MATCH: TE CONNECTIVITY: 1-917337-2 OR 1-179276-2 RECOMMENDED.
 - CONTACT ARRANGEMENT: SPST-NO.
 - CONNECTION STUD: M10 STUD, RECOMMENDED TORQUE: 9 N•m ~ 11 N•m.
 - MOUNTING: M8 BOLT, RECOMMENDED TORQUE: 12 N•m-15 N•m.

ITEM	PARAMETER
RATED COIL VOLTAGE	12V DC
HOLD POWER	MAX 16W
OPERATING VOLTAGE IN COLD STATE AT (20±5)°C	PICKUP: 8.4V DC MAX
	RELEASE: 1V DC MIN
OPERATE TIME	MAX 60ms
RELEASE TIME	MAX 25ms
BOUNCE TIME	MAX 7ms
RATED CONTACT VOLTAGE	96V DC
MAXIMUM CONTACT VOLTAGE	110V DC
RATED CONTACT CURRENT	250A
CONTACT VOLTAGE DROP	≤50mV@100 A
LIMIT BREAKING ABILITY	4Ie/5ms, 1CYCLES
DIELECTRIC STRENGTH	1000V AC, 50Hz, 1min, LEAKAGE CURRENT ≤1 mA
INSULATION RESISTANCE	≥50MΩ@500VDC
ELECTRIC LIFE	6000 CYCLES
MECHANICAL LIFE	300,000 CYCLES
WORKING DUTY	CONTINUOUS

DIMENSIONS ARE SHOWN IN MILLIMETERS. DIMENSIONS AND TOLERANCES ARE DEFINED ACCORDING TO ANSI/ASME Y14.5-1994.

●	FTI/ FUNCTION CRITICAL CHARACTERISTICS
<S>	SAFETY/ COMPLIANCE CRITICAL CHARACTERISTICS SYMBOL
CPK	DENOTES CPK DIMENSIONS MINIMUM CPK VALUE
(ST)	DENOTES A CHARACTERISTIC THAT PROVIDES AN INDICATION OF PROCESS PERFORMANCE. PROCEDURE FOR MEASUREMENT AND TRACKING TO BE DEFINED IN LITTELFUSE INSPECTION INSTRUCTIONS
CP	DENOTES CP DIMENSIONS. MINIMUM CP VALUE MUST BE WITHIN THE DIMENSIONAL LIMITATIONS SHOWN ON DRAWING AND INITIALLY LOCATED TO ALLOW FOR MAXIMUM TOOL LIFE

NAME	DATE	<p>Expertise Applied Answers Delivered</p>
DRAWN: MJ. DAI	AUG./15/2021	
CHECKED: J. LI	AUG./20/2021	TITLE
		DCNL 250A 96V 12V COIL CONTACTOR
FORM NO. CVP-PE40-0005 REV B		SIZE: C
THIRD ANGLE PROJECTION		DWG. NO. OL-DCNLJ250PD12
DO NOT SCALE DRAWING	SCALE 1:1	REV. B