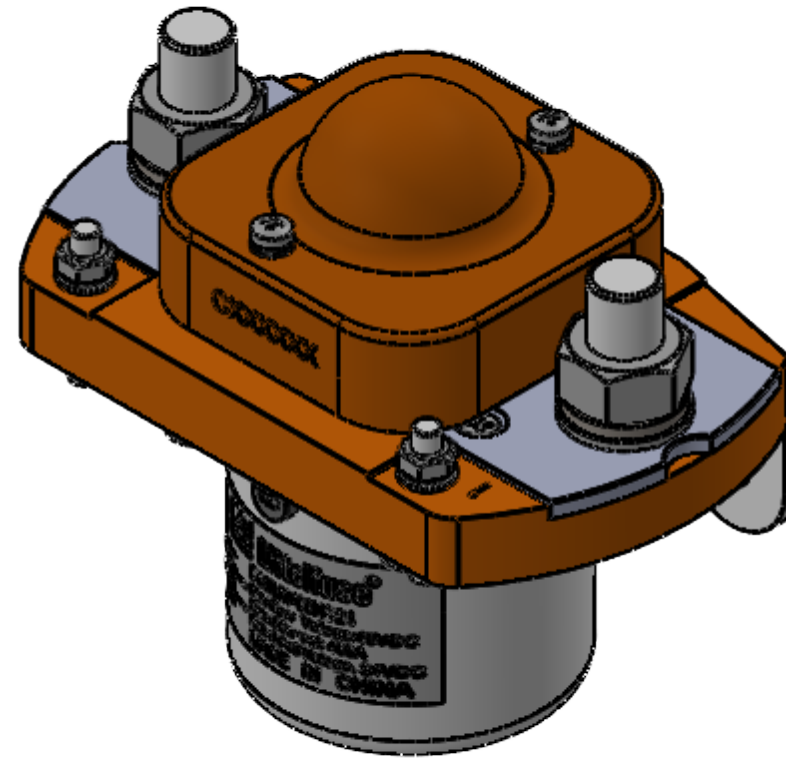
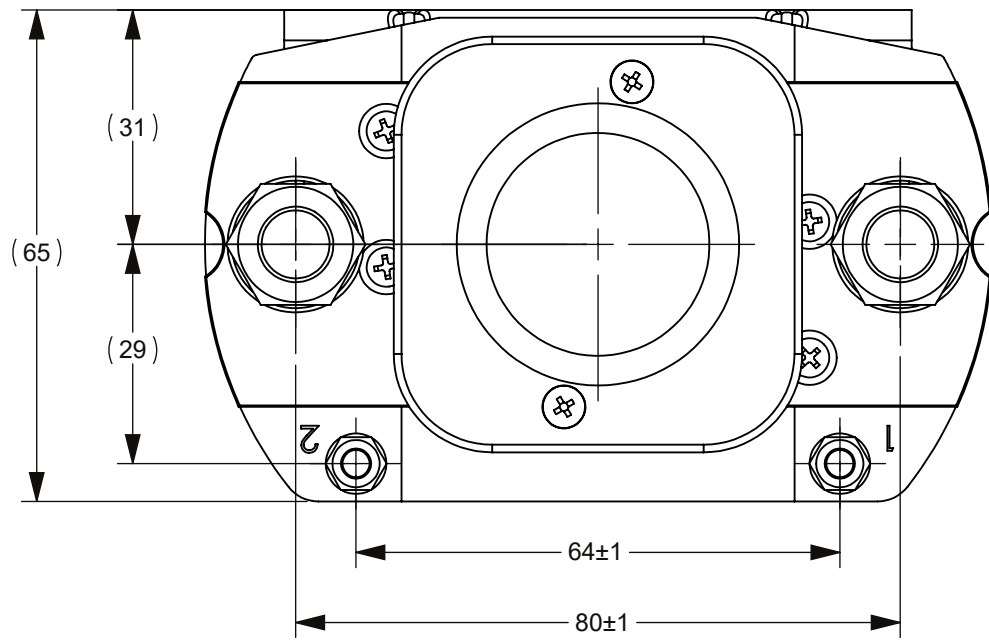
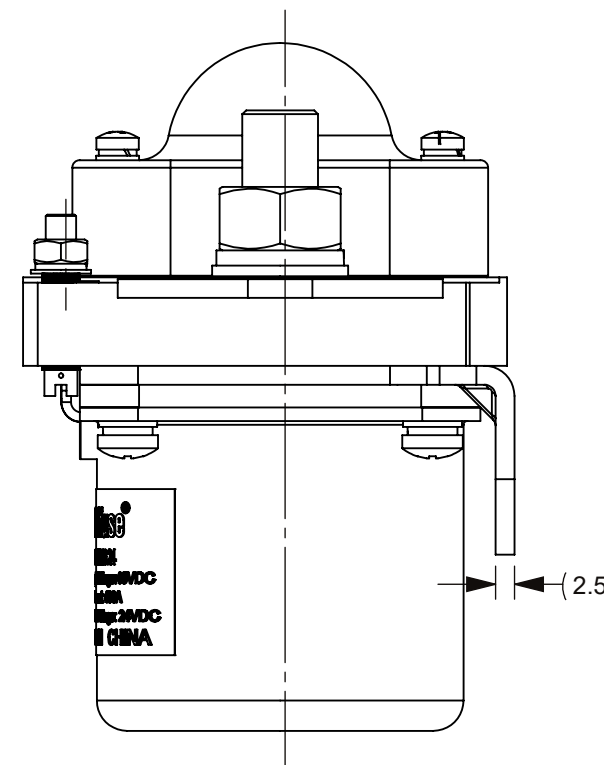
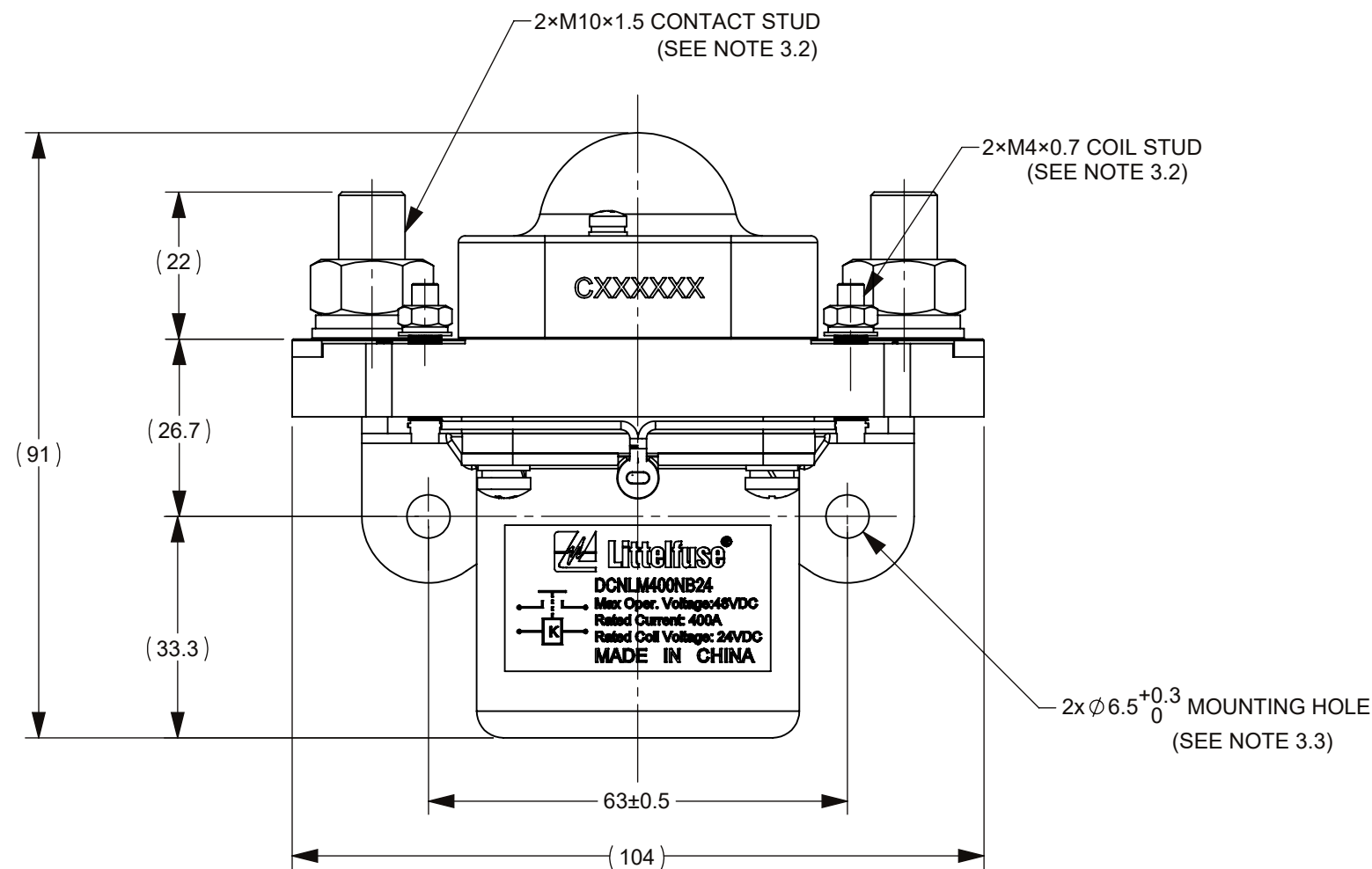
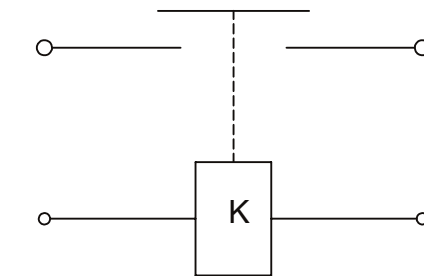


THIS DRAWING AND THE INFORMATION CONTAINED WITHIN IT ARE CONFIDENTIAL AND MAY NOT BE COPIED OR DISCLOSED WITHOUT THE WRITTEN PERMISSION OF LITTELFUSE.

| REVISIONS | | | | |
|-----------|------|--------------------------------------|--------------|----------|
| ZONE | REV. | DESCRIPTION | DATE | APPROVED |
| | A | GCF#523779 INITIAL RELEASE | Jun./20/2021 | D. ZHANG |
| 1B | B | ECR#524964 CORRECT TYPO:50MΩ WAS 2MΩ | 4/1/2022 | D. ZHANG |



CIRCUIT SCHEMATIC DIAGRAM



| TECHNICAL PARAMETERS 1 | |
|---|---|
| ITEM | PARAMETER |
| RATED COIL VOLTAGE | 24V DC |
| HOLD POWER | MAX15W |
| OPERATING VOLTAGE IN COLD STATE AT (20±5)°C | PICKUP: 16.8V DC MAX |
| | RELEASE: 2V DC MIN |
| OPERATE TIME | MAX 40ms |
| RELEASE TIME | MAX 20ms |
| BOUNCE TIME | MAX 5ms |
| RATED CONTACT VOLTAGE | 48V DC |
| MAXIMUM CONTACT VOLTAGE | 60V DC |
| RATED CONTACT CURRENT | 400A |
| CONTACT VOLTAGE DROP | ≤50mV@100 A |
| LIMIT BREAKING ABILITY | 4le/5ms, 1CYCLES |
| DIELECTRIC STRENGTH | 1000V AC, 50Hz, 1min, LEAKAGE CURRENT ≤1 mA |
| INSULATION RESISTANCE | ≥50MΩ@500VDC |
| ELECTRIC LIFE | 6000 CYCLES |
| MECHANICAL LIFE | 100,000 CYCLES |
| WORKING DUTY | CONTINUOUS |

- NOTES:
- ALL SIZES ARE FOR REFERENCE ONLY.
 - MATERIALS AND FINISHED PRODUCTS:
 - BASE: THERMOSETTING PLASTIC, UL94V-0.
 - CONTACTS: SILVER ALLOY.
 - COIL STUD: COPPER ALLY, SILVER PLATED.
 - PRODUCT TECHNICAL PARAMETERS: SEE TABLE 1.
 - CONTACT ARRANGEMENT: SPST-NO.
 - CONNECTION TERMINAL: MAIN CONTACT TERMINAL M10 STUD; COIL TERMINAL M4 STUD; M10 NUT MOUNTING TORQUE : 15 N•m ~ 18 N•m; M4 NUT MOUNTING TORQUE: 1.7N•m ~ 2.5N•m.
 - MOUNTING BOLT M6. TORQUE 6N•m-8N•m.

PER CHNFPD00-008 PROCEDURE

- FIT/ FUNCTION CRITICAL CHARACTERISTICS
- <S> SAFETY/ COMPLIANCE CRITICAL CHARACTERISTICS SYMBOL
- CPK DENOTES CPK DIMENSIONS MINIMUM CPK VALUE
- (ST) DENOTES A CHARACTERISTIC THAT PROVIDES AN INDICATION OF PROCESS PERFORMANCE PROCEDURE FOR MEASUREMENT AND TRACKING TO BE DEFINED IN LITTELFUSE INSPECTION INSTRUCTIONS
- CP DENOTES CP DIMENSIONS. MINIMUM CP VALUE MUST BE WITHIN THE DIMENSIONAL LIMITATIONS SHOWN ON DRAWING AND INITIALLY LOCATED TO ALLOW FOR MAXIMUM TOOL LIFE

| | | |
|------------------------|----------------------------------|---|
| NAME | DATE | <p>Expertise Applied Answers Delivered</p> |
| DRAWN | MJ. DAI Jun./20/2021 | |
| CHECKED | J. LI Jun./25/2021 | |
| TITLE | DCNL 400A 48V 24V COIL CONTACTOR | |
| FORM NO. | CVP-PE40-0005 REV B | REV. B |
| THIRD ANGLE PROJECTION | SIZE C | DWG. NO. OL-DCNL400NB24 |
| DO NOT SCALE DRAWING | SCALE 1:1 | SHEET 1 OF 1 |