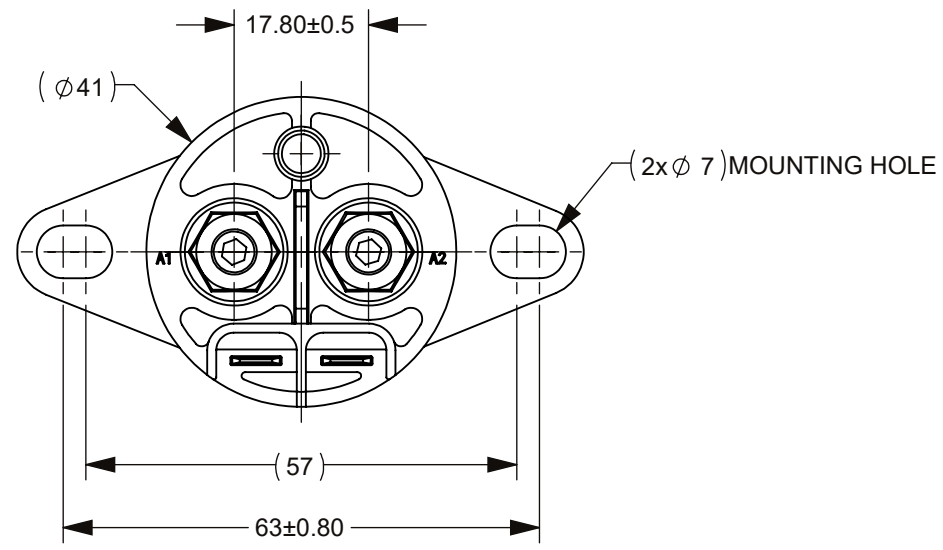


REVISIONS				
ZONE	REV.	DESCRIPTION	DATE	APPROVED
	A	GCF#524705 INITIAL RELEASE	Dec/14/2021	D.ZHANG



CIRCUIT SCHEMATIC DIAGRAM

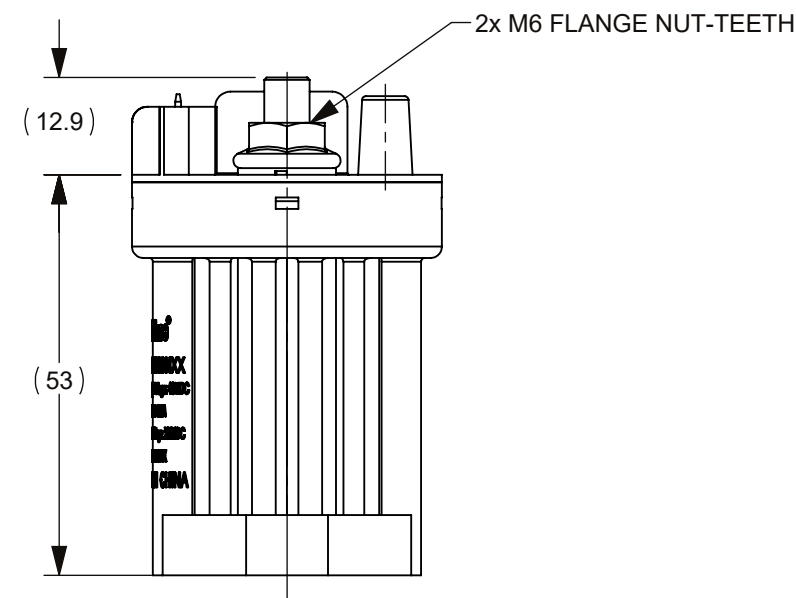
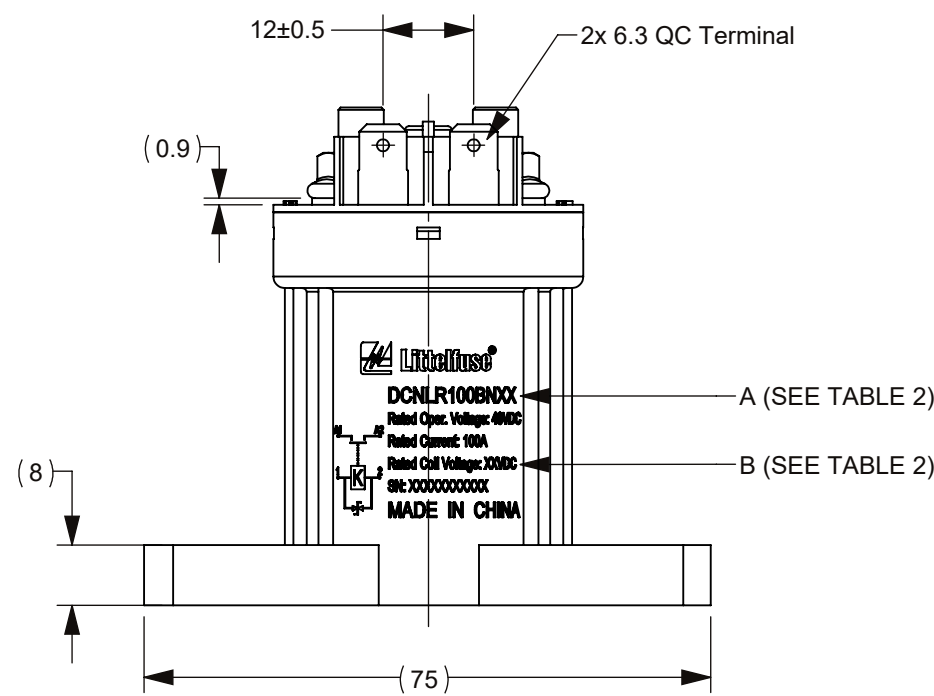
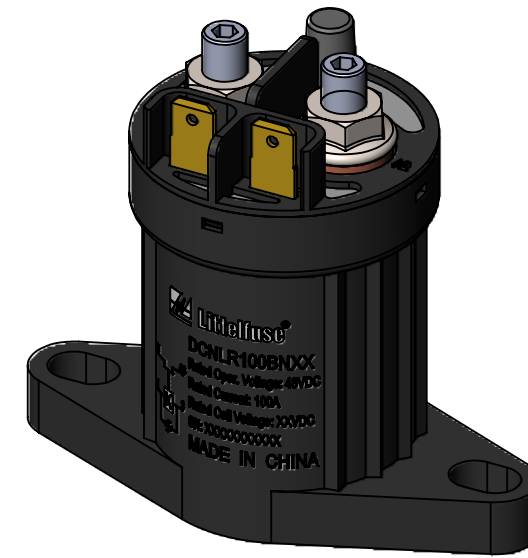
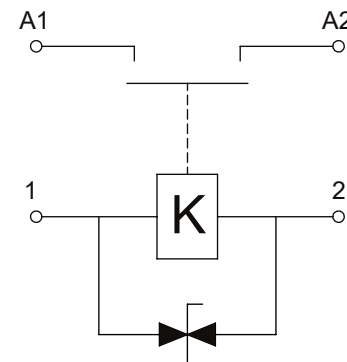


TABLE 1: TECHNICAL PARAMETERS

ITEM	PARAMETER		
	DCNLR100NB12	DCNLR100NB24	DCNLR100NB48
RATED COIL VOLTAGE	12V DC	24V DC	48V DC
OPERATING VOLTAGE IN COLD STATE AT (20±5)°C	PICKUP (V DC)	MAX 8.4	MAX 16.8
	RELEASE (V DC)	MIN 1.2	MIN 2.4
OPERATE TIME	MAX 25ms		
RELEASE TIME	MAX 12ms		
BOUNCE TIME	MAX 7ms		
MAIN CONTACT RESISTANCE (@ 20A)	MAX 2mΩ		
COIL POWER	APPROX 6W		
RATED CONTACT VOLTAGE	48V DC		
MAXIMUM CONTACT VOLTAGE	60V DC		
RATED CONTACT CURRENT	100A		
CONTACT VOLTAGE DROP	≤50mV@100 A		
DIELECTRIC STRENGTH (LEAKAGE CURRENT ≤1 mA)	2200V AC, 50Hz, 1min.		
ELECTRICAL LIFE	50,000 CYCLES@24VDC/100A; 30,000 CYCLES@48VDC/100A		
INSULATION RESISTANCE	≥100MΩ@500VDC		
SHORT-TIME OVERLOAD CAPACITY	8le/1s; 5le/10s		
WORKING DUTY	CONTINUOUS		

TABLE 2

PRODUCT PN	"A" IN NAMEPLATE	"B" IN NAMEPLATE
DCNLR100NB12	DCNLR100NB12	12VDC
DCNLR100NB24	DCNLR100NB24	24VDC
DCNLR100NB48	DCNLR100NB48	48VDC

NOTES:

- ALL SIZES ARE FOR REFERENCE ONLY.
- MATERIALS AND FINISHED:
  - HOUSING: THERMOPLASTIC PLASTIC, UL94V-0.
  - CONTACTS: COPPER ALLOY.
- PRODUCT PN AND NAMEPLATE CONFIGURATION RELATION SEE TABLE 2.
- PRODUCT TECHNICAL PARAMETERS: SEE TABLE 1.
- MAIN CONTACT ARRANGEMENT: SPST-NO.
- CONNECTION BOLT: M6 BOLT, RECOMMENDED TORQUE 3.5 N·m ~ 4.5 N·m.
- MOUNTING: M6 BOLT, RECOMMENDED TORQUE 3.5 N·m ~ 4.5 N·m.

DIMENSIONS ARE SHOWN IN MILLIMETERS. DIMENSIONS AND TOLERANCES ARE DEFINED ACCORDING TO ANSI/ASME Y14.5-1994.

PER CH-HPD20-008 PROCEDURE

- FIT/ FUNCTION CRITICAL CHARACTERISTICS
- <S> SAFETY/ COMPLIANCE CRITICAL CHARACTERISTICS SYMBOL
- CPK DENOTES CPK DIMENSIONS MINIMUM CPK VALUE
- (ST) DENOTES A CHARACTERISTIC THAT PROVIDES AN INDICATION OF PROCESS PERFORMANCE PROCEDURE FOR MEASUREMENT AND TRACKING TO BE DEFINED IN LITTELFUSE INSPECTION INSTRUCTIONS
- CP DENOTES CP DIMENSIONS. MINIMUM CP VALUE MUST BE WITHIN THE DIMENSIONAL LIMITATIONS SHOWN ON DRAWING AND INITIALLY LOCATED TO ALLOW FOR MAXIMUM TOOL LIFE

DRAWN	B. WU	DATE	Dec/14/2021
CHECKED	J. LI	DATE	Dec/14/2021

FORM NO. CVP-PE40-0005 REV B

THIRD ANGLE PROJECTION

DO NOT SCALE DRAWING

SCALE 1:1

**Littelfuse**  
Expertise Applied | Answers Delivered

TITLE: DCNLR 100A 48V CONTACTOR

SIZE: C DWG. NO. OL-DCNLR100NB CHART REV. A

SHEET 1 OF 1