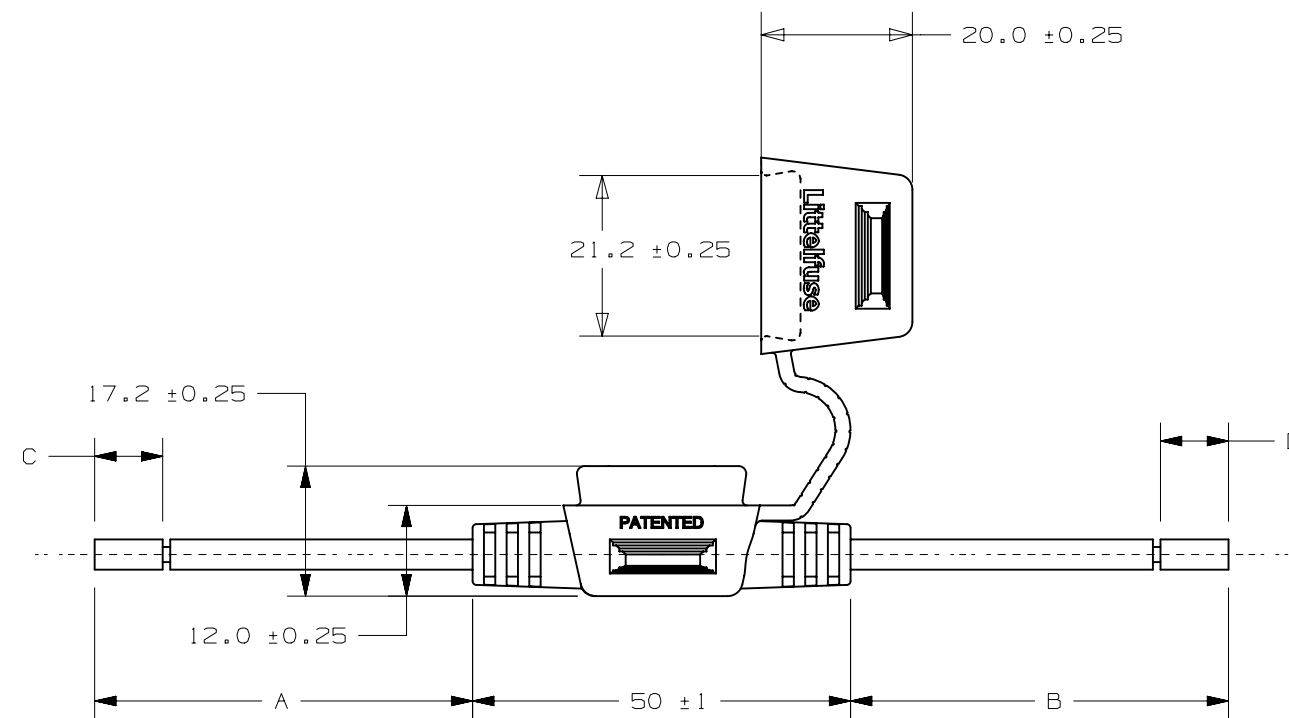
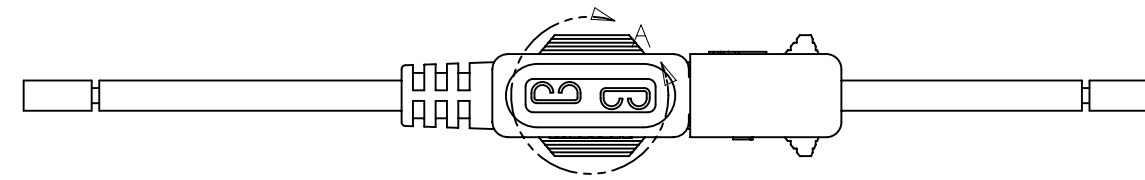
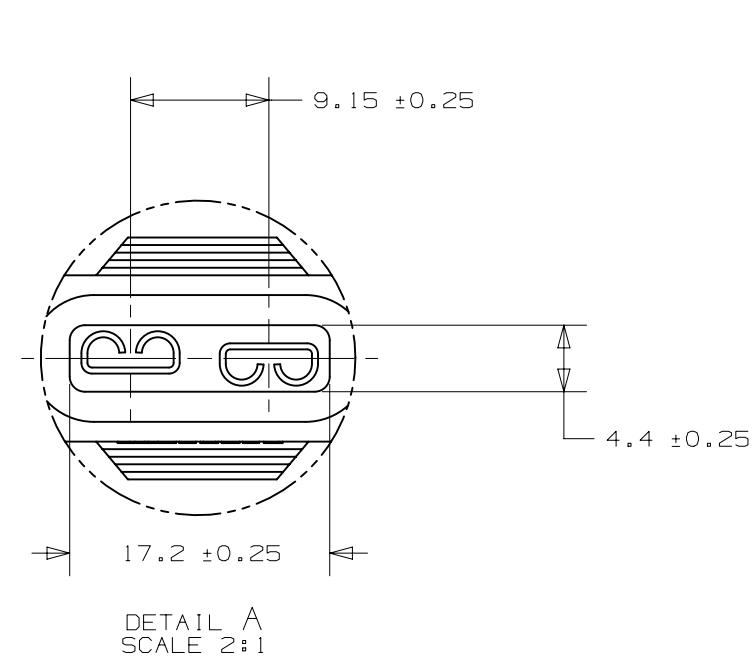


PART NUMBER	"A"	"B"	"C"	"D"	LEAD "A" COLOR	LEAD "B" COLOR	INSULATION TYPE
FHAC0002ZXJ	89.5±5 [ 3.524 ]	89.5±5 [ 3.524 ]	6.35±2 [ 0.25 ]	6.35±2 [ 0.25 ]	ORANGE	ORANGE	GXL
FHAC0002ZXJA	243.5±5 [ 9.587 ]	243.5±5 [ 9.587 ]	N/A	N/A	RED	RED	GXL
FHAC0002ZXJB	102.0±5 [ 4.016 ]	805.0±5 [ 31.693 ]	6.35±2 [ 0.25 ]	6.35±2 [ 0.25 ]	PURPLE	PURPLE	GXL
FHAC0002ZXJC	89.5±5 [ 3.524 ]	89.5±5 [ 3.524 ]	6.35±2 [ 0.25 ]	6.35±2 [ 0.25 ]	PURPLE	PURPLE	GXL
FHAC0002ZXJD	101.6±5 [ 4.000 ]	101.6±5 [ 4.000 ]	8.00±2 [ 0.315 ]	8.00±2 [ 0.315 ]	PURPLE	PURPLE	UL3266
FHAC0002ZXJE	305.0±5 [ 12.008 ]	102.0±5 [ 4.016 ]	10.00±2 [ 0.394 ]	10.00±2 [ 0.394 ]	RED	RED	GXL

LTR	DATE	REVISION	CHK	APD
A	06/20/07	63273 - RELEASED DHM		
B	11/21/07	000218ER-RELEASED FHAC0002ZXJA DHM		
C	10/28/09	000822ER-RELEASED FHAC0002ZXJB & FHAC0002ZXJC GMB		
D	05/27/13	508356ERA-RELEASED FHAC0002ZXJD FYUE		
E	12/11/14	511356ERA-RELEASED FHAC0002ZXJE FYUE		



- NOTES:
- HOLDER MATERIAL: BLACK RUBBER
  - CONTACTS: COPPER ALLOY, TIN-PLATED
  - WIRE: 12 AWG STRANDED COPPER, 125°C RATED
  - CRIMP: MUST MEET SAE/USCAR 21 STANDARD
  - RATING: MAX. 30A, 32Vdc
  - MAX TEMPERATURE 125°C
  - FUSEHOLDER SHOULD NOT BE PLACED UNDER TENSION IN FINAL APPLICATION.

UNLESS OTHERWISE SPECIFIED, DIMENSIONS ARE IN MILLIMETERS. DIMENSIONS IN BRACKETS [ ] ARE INCHES			
UNLESS OTHERWISE SPECIFIED, DIMENSIONS DO NOT INCLUDE PLATING.			
⊙	DENOTES CRITICAL CHARACTERISTICS.		
CPK	DENOTES CPK DIMENSIONS, -MINIMUM CPK VALUE		
ST	DENOTES A CHARACTERISTIC THAT PROVIDES AN INDICATION OF PROCESS PERFORMANCE. PROCEDURE FOR MEASUREMENT AND TRACKING TO BE DEFINED IN LITTELFUSE INSPECTION INSTRUCTIONS		
CP	DENOTES CP DIMENSIONS, -MINIMUM CP VALUE MUST BE WITHIN THE DIMENSIONAL LIMITATIONS SHOWN ON DRAWING AND INITIALLY LOCATED TO ALLOW FOR MAXIMUM TOOL LIFE		
COPIES TO	MATL SPEC SEE NOTES		
1 9 18	FINISH SEE NOTES		
2 10 19	FINISH SEE NOTES		
3 12 20	FINISH SEE NOTES		
4 13 21	DRW DHM	DATE 06/20/07	SCALE 1:1
5 14 23	CHK	DATE	SUPER DR
6 15 33	APPD	DATE	FINSH GOOD WT
7 16 43	APPD	DATE	GRAMS/PIECE
8 17 53	APPD	DATE	GRAMS/PIECE
TOLERANCE UNLESS OTHERWISE SPECIFIED ONE PLACE DEC +/- .3 THREE PLACE DEC +/- .100 TWO PLACE DEC +/- .25 ANGULAR +/- 1°			
3RD ANGLE PROJECTION	TITLE ATO IN-LINE FUSEHOLDER		
Littelfuse DES PLAINES, ILLINOIS 60016		REVISION E	DRWG. NO. OL-FHAC0002ZXJ

METRIC

CAD GENERATED DRAWING - NO PENCIL CHANGES ALLOWED