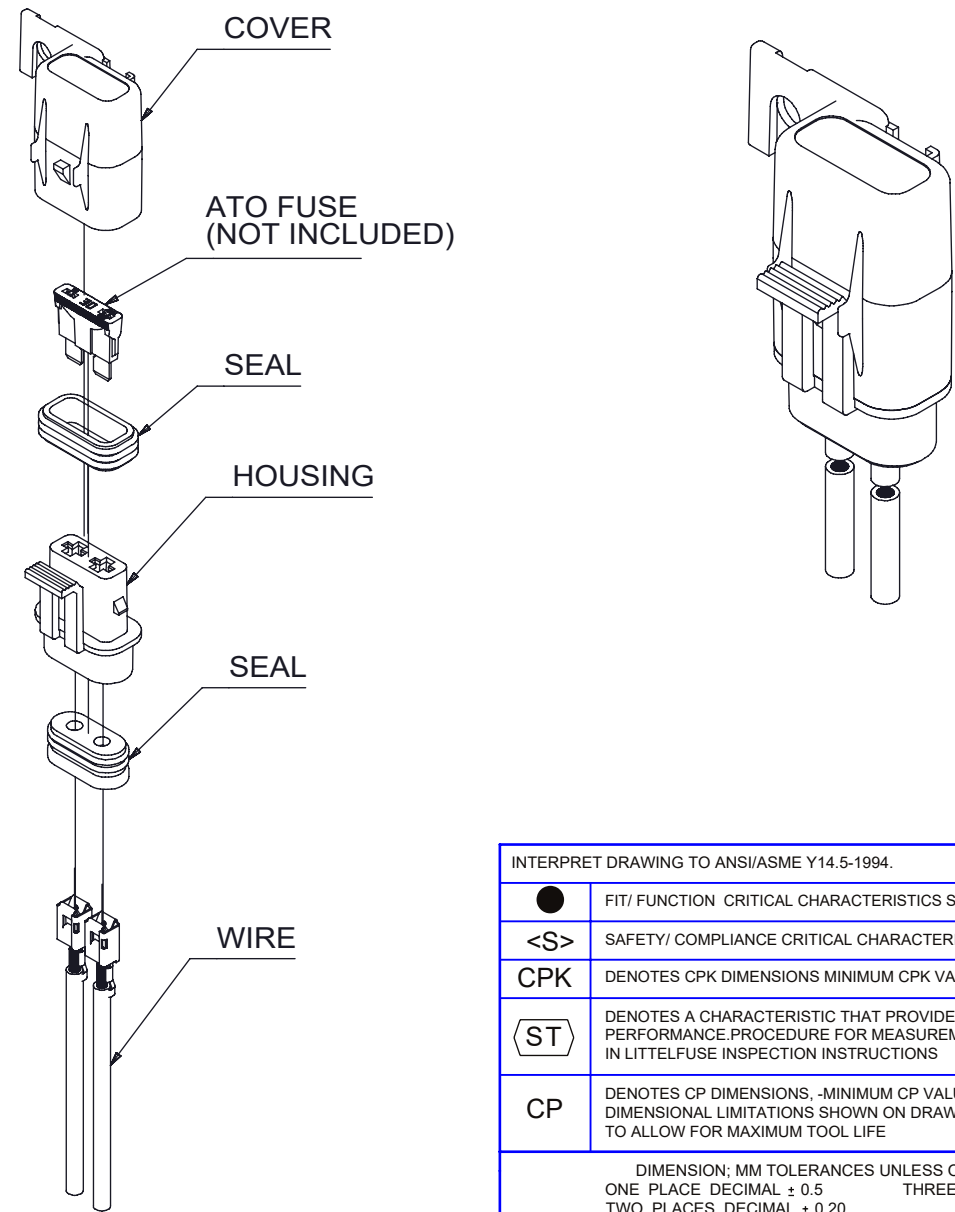
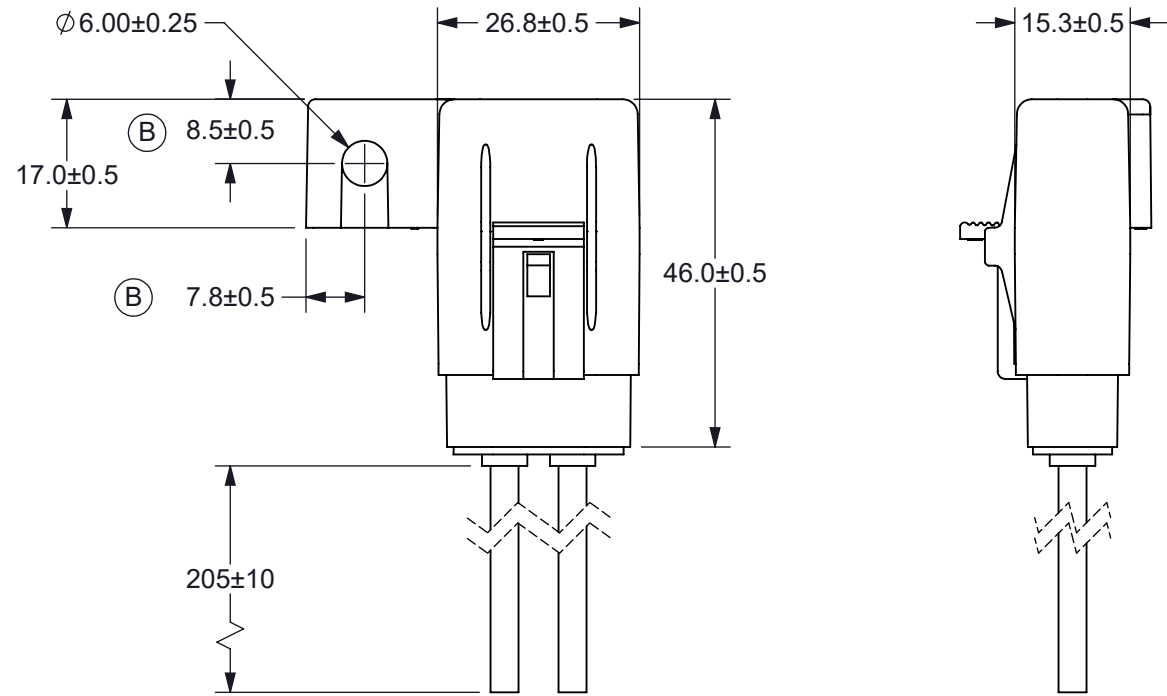
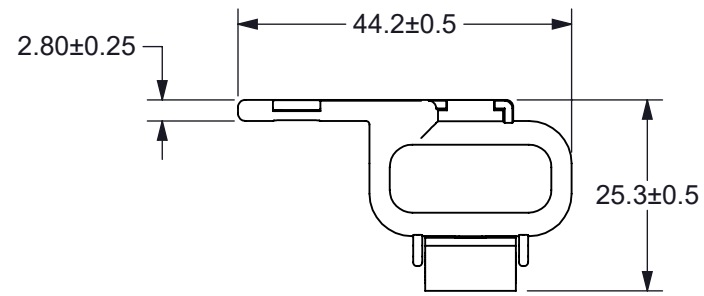


THIS DRAWING AND THE INFORMATION CONTAINED WITHIN IT ARE CONFIDENTIAL AND MAY NOT BE COPIED OR DISCLOSED WITHOUT THE WRITTEN PERMISSION OF LITTELFUSE.

REVISIONS				
REV.	CHANGE NO.	DESCRIPTION	DATE	APPROVED
A	520748	PRODUCTION RELEASE	04/29/2019	DGK
B	521389	ADDED TIN TO WIRE. ADDED HOLE DIMENSIONS.	10/16/2019	DGK



NOTES:

- HOUSING AND COVER MATERIAL: BLACK PC
- SEAL MATERIAL: SILICONE
- WIRE: 14 AWG STRANDED COPPER, RED GXL WIRE, 125°C TEMPERATURE RATING, TINNED
- FOR USE WITH ISO 8820 TYPE 'C' FUSE (ATO FUSE).
- RATING: 20A MAXIMUM, 32Vdc
- FUSEHOLDER IS DUST TIGHT AND PROTECTED AGAINST IMMERSION, IP67 RATED.
- FUSE IS NOT INCLUDED.
- FUSEHOLDER IS TO BE RoHS COMPLIANT.

INTERPRET DRAWING TO ANSI/ASME Y14.5-1994.		
●	FIT/ FUNCTION CRITICAL CHARACTERISTICS SYMBOL	
<S>	SAFETY/ COMPLIANCE CRITICAL CHARACTERISTICS SYMBOL	
CPK	DENOTES CPK DIMENSIONS MINIMUM CPK VALUE	
ST	DENOTES A CHARACTERISTIC THAT PROVIDES AN INDICATION OF PROCESS PERFORMANCE PROCEDURE FOR MEASUREMENT AND TRACKING TO BE DEFINED IN LITTELFUSE INSPECTION INSTRUCTIONS	
CP	DENOTES CP DIMENSIONS. -MINIMUM CP VALUE MUST BE WITHIN THE DIMENSIONAL LIMITATIONS SHOWN ON DRAWING AND INITIALLY LOCATED TO ALLOW FOR MAXIMUM TOOL LIFE	
DIMENSION: MM TOLERANCES UNLESS OTHERWISE SPECIFIED ONE PLACE DECIMAL ± 0.5      THREE PLACES DECIMAL ± 0.100 TWO PLACES DECIMAL ± 0.20      ANGULAR ± 2°		
NAME	DATE	
DRAWN DGK	05/29/2019	
CHECKED MS	06/26/2019	
 <b>Expertise Applied   Answers Delivered</b>		
FORM NO: CVP-PE40-0004 REV A		TITLE
THIRD ANGLE PROJECTION		FUSEHOLDER, IN-LINE ATO 14 AWG GXL, SEALED
SIZE B	DWG. NO. OL-FHAS101	REV. B
DO NOT SCALE DRAWING		SCALE 1:2 SHEET 1 OF 1