

PART NUMBER	FIGURE	"A"	"B"	"C"	"D"	LEAD "A" COLOR	LEAD "B" COLOR	INSULATION TYPE	WIRE SIZE	RATING MARK	PKG QTY
FHJC1001G	1	102.0±5.0	102.0±5.0	9.0±2.0	9.0±2.0	RED	RED	GXL (STANDARD)	10 AWG	40A	250
FHJC1001GB	1	102.0±5.0	102.0±5.0	9.0±2.0	9.0±2.0	RED	RED	TXL (STANDARD)	10 AWG	40A	250
FHJC1001FXA	1	280.0±5.0	400.0±5.0	9.0±2.0	9.0±2.0	RED	RED	GXL (STANDARD)	10 AWG	40A	200
FHJC1001HC	1	1070.0±5.0	132.0±5.0	7.0±2.0	13.0±2.0	RED	RED	GXL (STANDARD)	10 AWG	40A	100
FHJC1002G	1	102.0±5.0	102.0±5.0	9.0±2.0	9.0±2.0	RED	RED	GXL (STANDARD)	8 AWG	60A	250
FHJC1002GA	1	1050.0±10.0	235.0±5.0	9.0±2.0	9.0±2.0	RED	RED	GXL (STANDARD)	8 AWG	60A	100
FHJC1002GB	1	1150.0±10.0	850.0±5.0	9.0±2.0	9.0±2.0	RED	RED	GXL (STANDARD)	8 AWG	60A	50
FHJC1002GC	1	400.0±5.0	400.0±5.0	9.0±2.0	9.0±2.0	RED	RED	GXL (STANDARD)	8 AWG	60A	50
FHJC1002GD	1	920.0±5.0	630.0±5.0	14.2±2.0	14.2±2.0	RED	RED	GXL (STANDARD)	8 AWG	60A	50
FHJC1002GE	1	1004.0±10.0	630.0±5.0	14.2±2.0	14.2±2.0	RED	RED	GXL (STANDARD)	8 AWG	60A	50
FHJC1002L	1	102.0±5.0	102.0±5.0	9.0±2.0	9.0±2.0	RED	RED	GXL (STANDARD)	8 AWG	60A	50
FHJC1002MB	1	247.0±5.0	247.0±5.0	9.0±2.0	9.0±2.0	RED	RED	GXL (STANDARD)	8 AWG	60A	200
FHJC2001G	2	102.0±5.0	102.0±5.0	9.0±2.0	9.0±2.0	RED	RED	GXL (STANDARD)	10 AWG	40A	250
FHJC2002G	2	102.0±5.0	102.0±5.0	9.0±2.0	9.0±2.0	RED	RED	GXL (STANDARD)	8 AWG	60A	250
FHJC2002L	2	102.0±5.0	102.0±5.0	9.0±2.0	9.0±2.0	RED	RED	GXL (STANDARD)	8 AWG	60A	50

- NOTES:
- HOLDER MATERIAL: BLACK TPV MATERIAL
  - CONTACTS: TIN-PLATED COPPER ALLOY
  - WIRE SIZE & LENGTH: SEE CHART
  - MAX TEMPERATURE: 125°C
  - RATING MARKING: SEE CHART
  - FUSE HOLDERS SHOULD NOT BE PLACED UNDER TENSION IN FINAL APPLICATION.
  - ALL PARTS PACKAGED BULK IN QTY SHOWN.

LTR	DATE	REVISION	CHK	APD
A	07/15/09	000735ER-RELEASE FHJC1002GA GMB		
B	12/16/09	SA37-ADDED TOLERANCES TO DM15. GMB		
C	01/25/11	REMOVED MOUNTING HOLE THROUGH BODY (FIG 1.); COMPILED ALL FHJC HOLDERS ONTO ONE PRINT; ADDED PART # FHJC1001HC; UPDATED NOTES (CORRECTED MATERIALS, ADDED PKG QTY); ADDED BRACKET VERSION VIEWS; PRINT NAME CHANGED FROM OL-FHJC1000G TO OL-FHJC00000. ERN-501557ERA KH		
D	04/30/15	511832GCA-RELEASE FHJC1002GB FYUE		
E	05/07/15	511833GCA-RELEASE FHJC1001GB FYUE		
F	07/06/15	514472GCA-CHANGE DIMENSIONS OF FHJC1002GB FYUE		
G	20/Apr/16	515810GCA-RELEASE FHJC1002GD FYUE		
H	02/Mar/17	517171ECC-CHANGE WIRE LENGTH 630 WAS 720 OF FHJC1002GD AND FHJC1002GE FYUE		

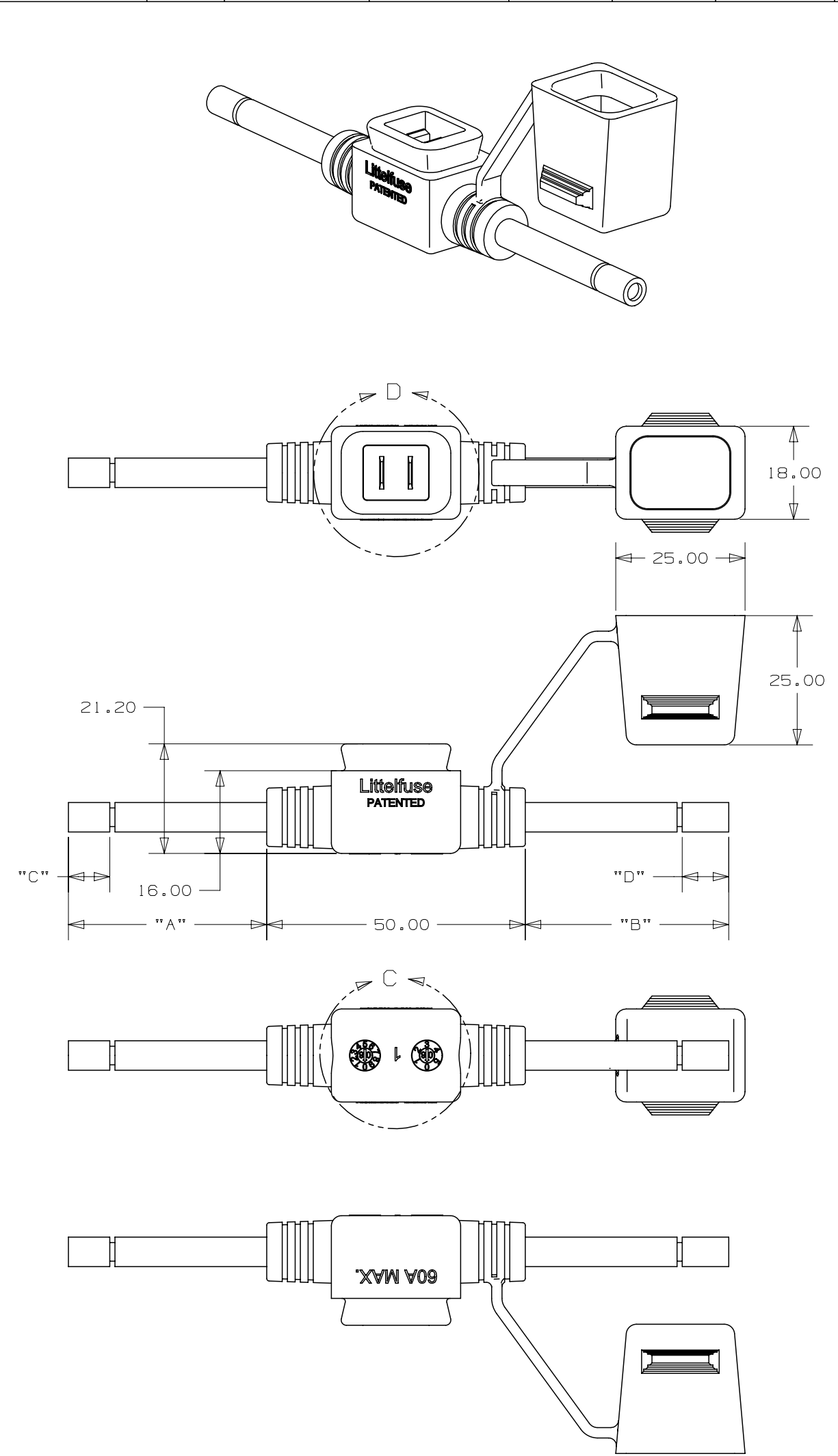


FIGURE 1. STANDARD HOLDER

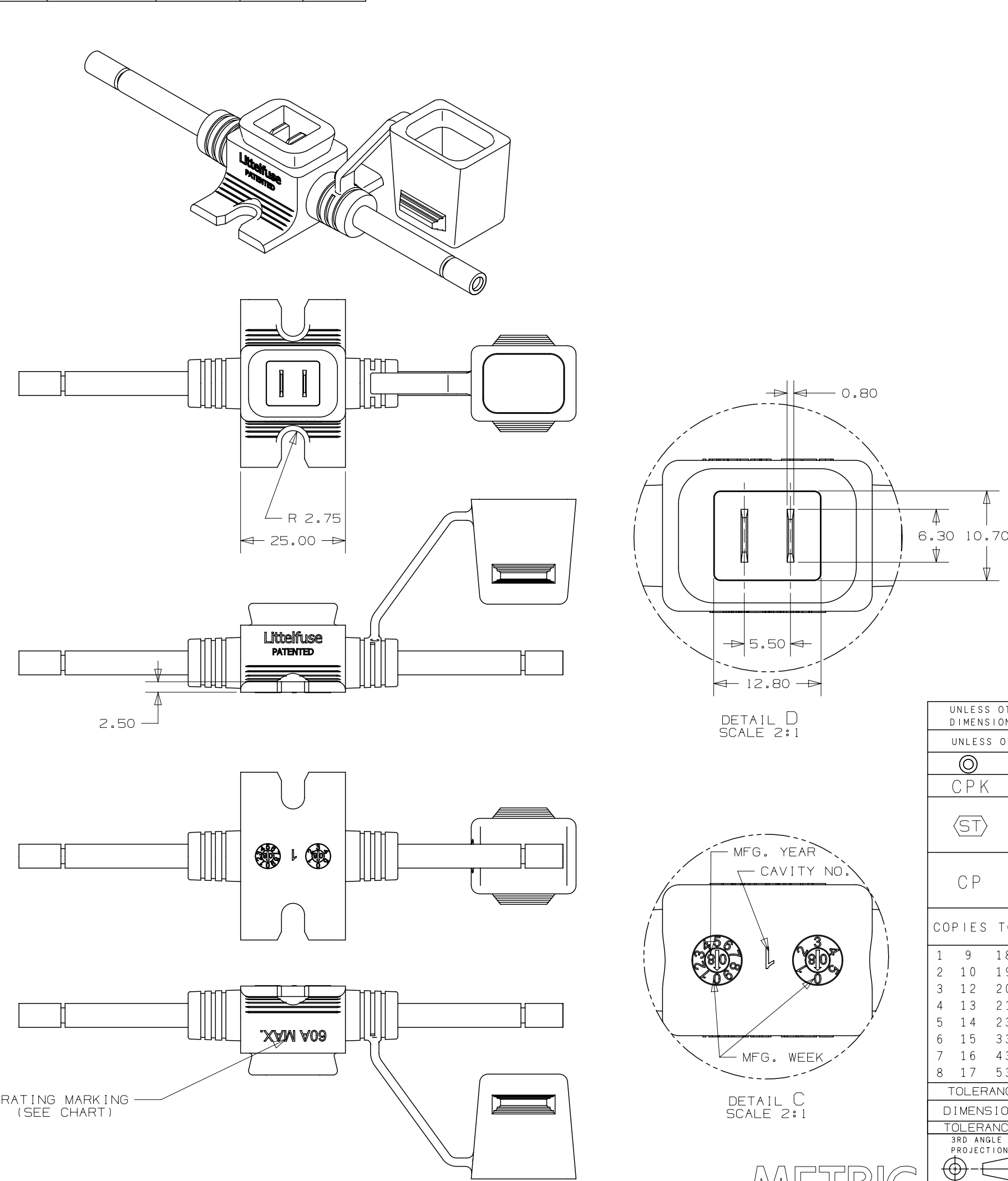


FIGURE 2. HOLDER WITH MOUNTING BRACKET

METRIC ASSEMBLY

UNLESS OTHERWISE SPECIFIED, DIMENSIONS ARE IN MILLIMETERS. DIMENSIONS IN BRACKETS [ ] ARE INCHES.			
UNLESS OTHERWISE SPECIFIED, DIMENSIONS DO NOT INCLUDE PLATING.			
⊙	DENOTES CRITICAL CHARACTERISTICS.		
CPK	DENOTES CPK DIMENSIONS, -MINIMUM CPK VALUE		
ST	DENOTES A CHARACTERISTIC THAT PROVIDES AN INDICATION OF PROCESS PERFORMANCE. PROCEDURE FOR MEASUREMENT AND TRACKING TO BE DEFINED IN LITTELFUSE INSPECTION INSTRUCTIONS		
CP	DENOTES CP DIMENSIONS, -MINIMUM CP VALUE MUST BE WITHIN THE DIMENSIONAL LIMITATIONS SHOWN ON DRAWING AND INITIALLY LOCATED TO ALLOW FOR MAXIMUM TOOL LIFE		
COPIES TO	MATL SPEC		
1 9 18	FINISH		
2 10 19			
3 12 20			
4 13 21	DRW	GMB	DATE 07/15/09 SCALE 1:1
5 14 23	CHK		DATE SUPER DR
6 15 33	APPD		DATE FINISH GOOD WT
7 16 43			GRAMS/PIECE
8 17 53			
TOLERANCES UNLESS OTHERWISE SPECIFIED (REF. ISO 2768-mK)			
DIMENSION	0.5 - 3	3 - 6	6 - 30 30 - 120 120 - 400
TOLERANCE	+0.1	+0.1	+0.2 +0.3 +0.5
3RD ANGLE PROJECTION	TITLE		
	INLINE JCASE HOLDER WITH STANDARD COVER		
	Littelfuse		REVISION/DRWG. NO. OUTLINE
	DES PLAINES, ILLINOIS 60016		H OL-FHJC00000 SERIES

CAD GENERATED DRAWING - NO PENCIL CHANGES ALLOWED