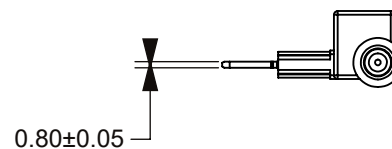
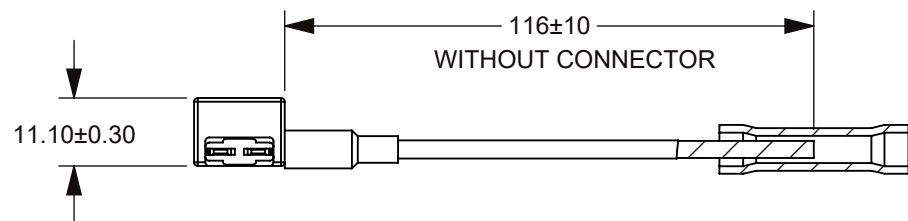
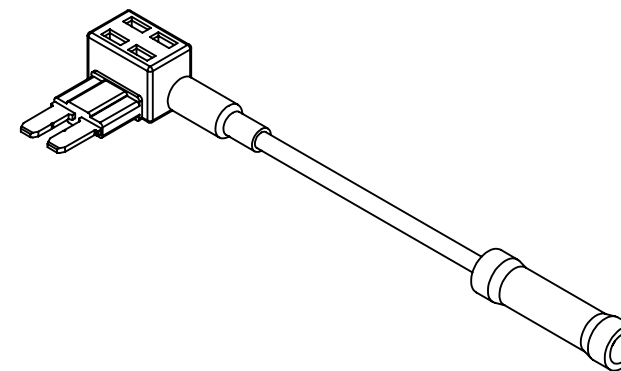
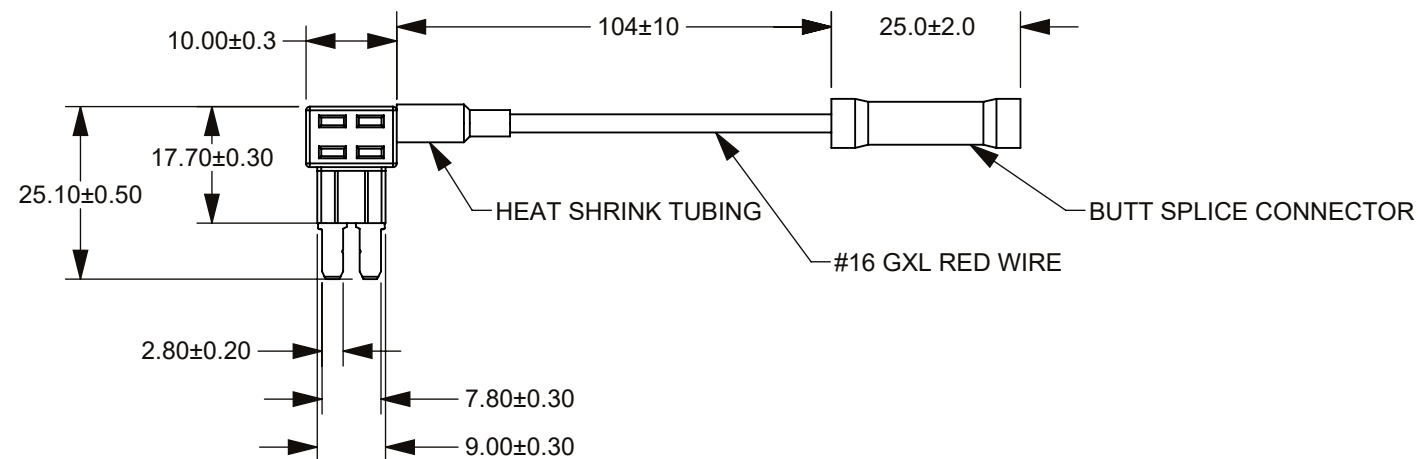


THIS DRAWING AND THE INFORMATION CONTAINED WITHIN IT ARE CONFIDENTIAL AND MAY NOT BE COPIED OR DISCLOSED WITHOUT THE WRITTEN PERMISSION OF LITTELFUSE.

REVISIONS				
ZONE	REV.	DESCRIPTION	DATE	APPROVED
	A	GCF #524724 INITIAL RELEASE. D.SILVA	1/25/2022	L.ARGIL



- NOTE:
1. THIS IN-LINE FUSEHOLDER IS DESIGNED TO TURN ONE SLOT INTO TWO.
 2. MAX. INSTALLATION RATING UP TO 10 AMPS.
 3. BUTT SPLICE CONNECTORS PULL-OUT FORCE IS 15.0 KGF MIN.
 4. FUSE PULL OUT FORCE TO BE 3.5 TO 7.0 KGF.

NO.	COMPONENT NO.	COMPONENT NAME	QTY	U
-----	---------------	----------------	-----	---

TOLERANCES UNLESS OTHERWISE SPECIFIED (REF. ISO 2768-mK)										
.5 to 3	>3 to 6	>6 to 30	>30 to 120	>120 to 400						ANGLE
±0.10	±0.10	±0.20	±0.30	±0.50						NONE

DIMENSIONS ARE SHOWN IN MILLIMETERS. DIMENSIONS AND TOLERANCES ARE DEFINED ACCORDING TO ANSI/ASME Y14.5-1994.

PER CHI-NP020-0008 PROCEDURE	SYMBOL	DESCRIPTION
●		FIT/ FUNCTION CRITICAL CHARACTERISTICS
<S>		SAFETY/ COMPLIANCE CRITICAL CHARACTERISTICS SYMBOL
CPK		DENOTES CPK DIMENSIONS MINIMUM CPK VALUE
ST		DENOTES A CHARACTERISTIC THAT PROVIDES AN INDICATION OF PROCESS PERFORMANCE.PROCEDURE FOR MEASUREMENT AND TRACKING TO BE DEFINED IN LITTELFUSE INSPECTION INSTRUCTIONS
CP		DENOTES CP DIMENSIONS. -MINIMUM CP VALUE MUST BE WITHIN THE DIMENSIONAL LIMITATIONS SHOWN ON DRAWING AND INITIALLY LOCATED TO ALLOW FOR MAXIMUM TOOL LIFE

NAME	DATE	<p>Littelfuse Expertise Applied Answers Delivered</p>
DRAWN D.SILVA	1/4/2022	
CHECKED -	-	
-	-	
FORM NO: CVP-PE40-0003 REV B	TITLE	
THIRD ANGLE PROJECTION	HOLDER MICRO 2 ADD-A-CIRCUIT	
SIZE B	DWG. NO. OUTLINE	REV. A
DO NOT SCALE DRAWING	SCALE 1:1	SHEET 1 OF 1