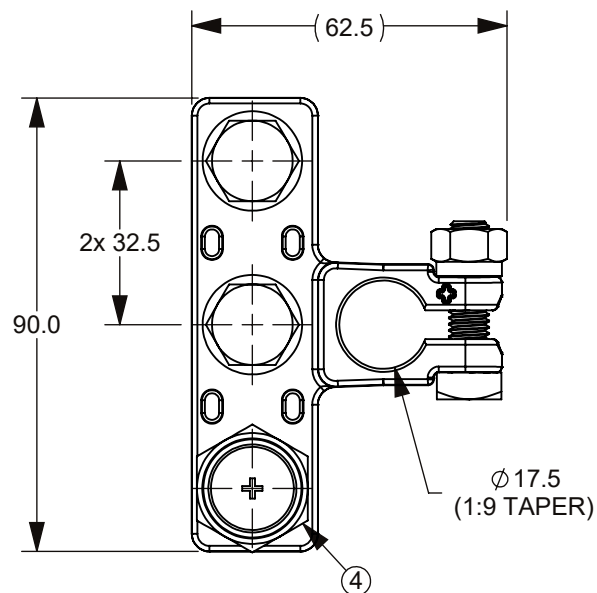


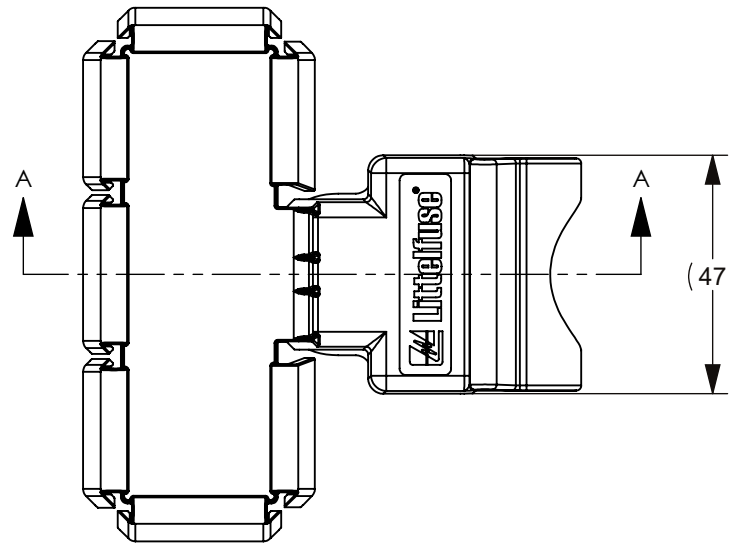
THIS DRAWING AND THE INFORMATION CONTAINED WITHIN IT ARE CONFIDENTIAL AND MAY NOT BE COPIED OR DISCLOSED WITHOUT THE WRITTEN PERMISSION OF LITTELFUSE.

NOTES

- MATERIAL:
BASE: COPPER ALLOY PLATED WITH TIN OVER NICKEL
BOLTS AND NUTS: 304 STAINLESS STEEL
COVER: TPV; UL94, V0 RATED
- BMZF MUST BE USED WITH LITTELFUSE SUPPLIED
M10 ISOLATED BOLT ONLY (890010900)
M10 BOLT TORQUE: 16±2 N·m
- M8 SHOULDER NUT TORQUE: 12±1 N·m
- MAXIMUM CONTINUOUS CURRENT: 325A
- VOLTAGE RATING: 32V
- OPERATING TEMPERATURE: -40°C TO 105°C
- STORAGE TEMPERATURE: -50°C TO 125°C

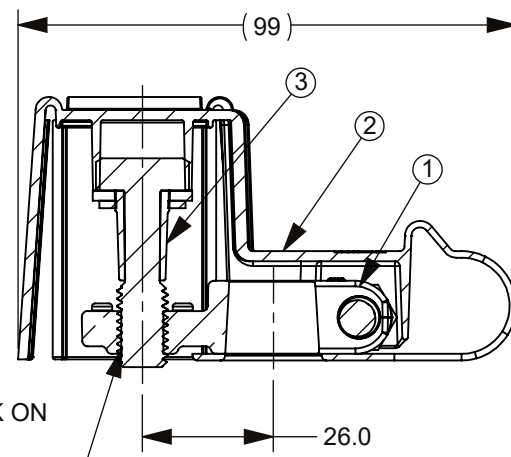
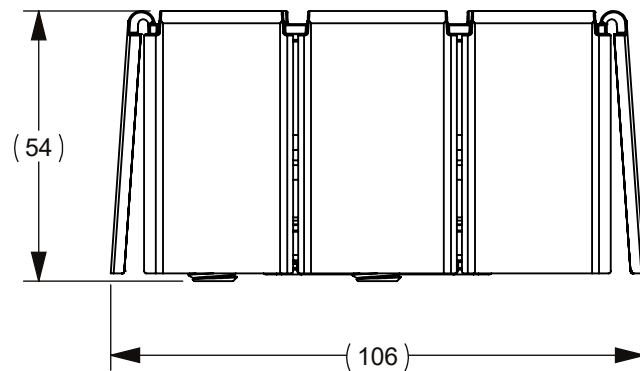


SHOWN WITHOUT COVER FOR REFERENCE



THE COVER OUTER DIMENSIONS ARE SUBJECT TO VARIABILITY

ASSEMBLY HEIGHT IS DEPENDENT ON THE CUSTOMER SUPPLIED RING TERMINAL USED



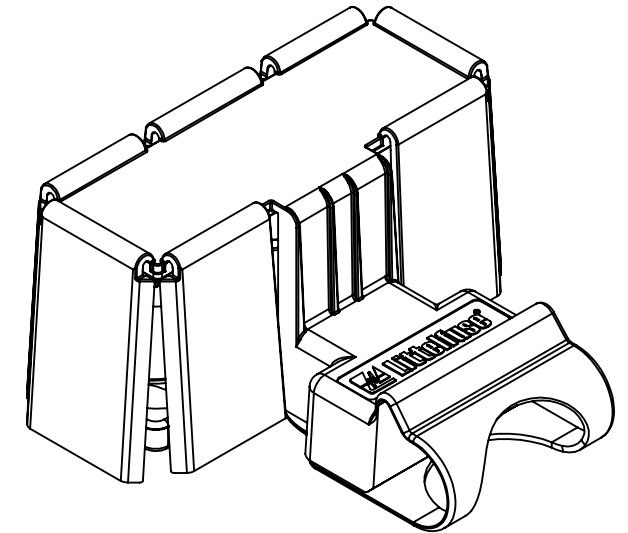
ORANGE COLORED THREADLOCK ON THE BOLT THREADS

RETENTION TORQUE DEGRADES WITH EACH DISASSEMBLY

SECTION A-A SCALE 1:1.5

REVISIONS

ZONE	REV.	DESCRIPTION	DATE	APPROVED
	A	INITIAL RELEASE, GCF 520582	2/1/2019	
	B	ECO 521647 INCREASE M8 BOLT TORQUE, ADD PN, REVISE THREADLOCK DESCRIPTION, CHANGE M8 BOLT DIRECTION, AND ADD FIGURE 2	4/22/2020	A. HOANG A. MENZER



NO.	PART NUMBER	COMPONENT NAME	QTY	U
4	890010920	Positive Battery Post, M10 x 1.5 Thread	1	ea.
3	890010900	BMZF M10 Isolated Bolt Assy	2	ea.
2	901-705	BMZF 3 POS Cover	1	ea.
1	890011000	Base Assy, BMZF 3 POS	1	ea.

INTERPRET DRAWING TO ANSI/ASME Y14.5-1994.

●	FIT/ FUNCTION CRITICAL CHARACTERISTICS SYMBOL
<S>	SAFETY/ COMPLIANCE CRITICAL CHARACTERISTICS SYMBOL
CPK	DENOTES CPK DIMENSIONS MINIMUM CPK VALUE
ST	DENOTES A CHARACTERISTIC THAT PROVIDES AN INDICATION OF PROCESS PERFORMANCE PROCEDURE FOR MEASUREMENT AND TRACKING TO BE DEFINED IN LITTELFUSE INSPECTION INSTRUCTIONS
CP	DENOTES CP DIMENSIONS, -MINIMUM CP VALUE MUST BE WITHIN THE DIMENSIONAL LIMITATIONS SHOWN ON DRAWING AND INITIALLY LOCATED TO ALLOW FOR MAXIMUM TOOL LIFE

DIMENSION: MM TOLERANCES UNLESS OTHERWISE SPECIFIED
ONE PLACE DECIMAL ± 0.5 THREE PLACES DECIMAL ± 0.100
TWO PLACES DECIMAL ± 0.20 ANGULAR ± 2°

	NAME	DATE
DRAWN	LVOGL	2/1/2019
CHECKED	-	-
	-	-
	-	-



Expertise Applied | Answers Delivered

FORM NO: CVP-PE40-0004 REV A
THIRD ANGLE PROJECTION
TITLE
BMZF 2 POSITION + BATTERY POST ASSEMBLY

SIZE	DWG. NO.	REV.
B	OL-FHZ00857	B

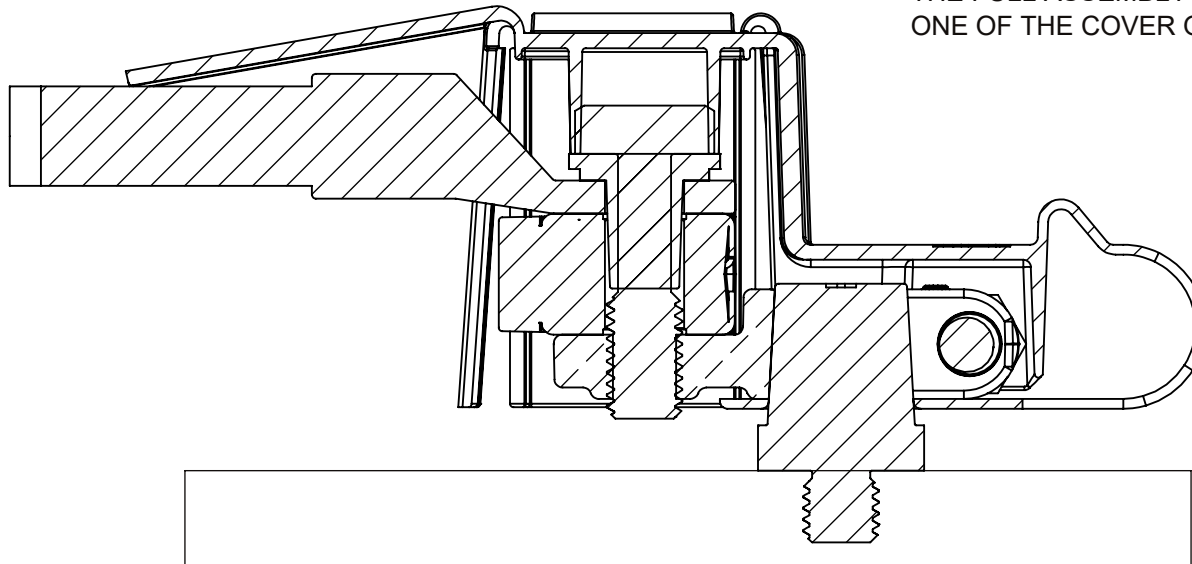
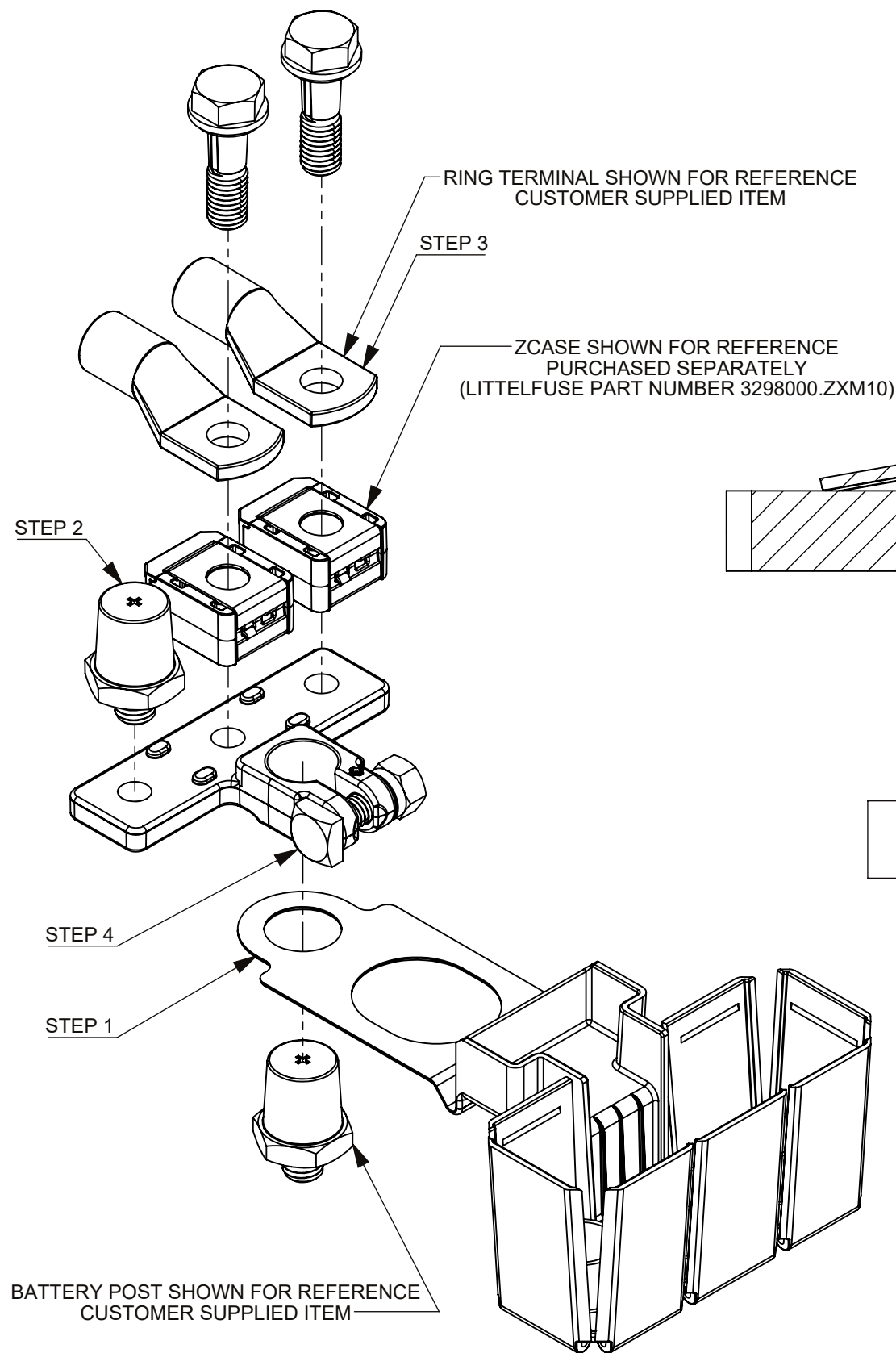
DO NOT SCALE DRAWING SCALE 1:2 SHEET 1 OF 2

THIS DRAWING AND THE INFORMATION CONTAINED WITHIN IT ARE CONFIDENTIAL AND MAY NOT BE COPIED OR DISCLOSED WITHOUT THE WRITTEN PERMISSION OF LITTELFUSE.

ASSEMBLY STEPS (FOR CUSTOMER USE ONLY)

(RING TERMINAL AND BATTERY POST ARE CUSTOMER SUPPLIED ITEMS)
(M10 ZCASE SOLD SEPARATELY; LITTELFUSE PART NUMBER 3298000.ZXM10)

1. PLACE THE TAIL END OF THE COVER ONTO THE POSITIVE BATTERY POST (1:9 TAPER) WITH THE COVER FACING UPWARDS.
2. TIGHTEN THE BATTERY POST TO $16 \pm 2 \text{ N}\cdot\text{m}$ INTO EITHER OF THE OUTER MATING HOLES OF THE BASE.
3. ASSEMBLE THE ISOLATED BOLT, M10 RING TERMINAL, & M10 ZCASE TO THE BASE ASSEMBLY. SECURE THE BOLT TO $16 \pm 2 \text{ N}\cdot\text{m}$. BE SURE THE RING TERMINAL DIMENSIONS MATCH THE FOLLOWING REQUIREMENTS (FIGURE 1): $c2 \geq 11 \text{ mm}$. IF MORE THAN ONE RING TERMINAL SIZE IS USED, THE THICKNESS (t) OF EACH MUST BE WITHIN 2mm OF EACH OTHER.
4. ATTACH THE BASE ASSEMBLY TO THE POSITIVE BATTERY POST OVER THE COVER. SECURE THE ASSEMBLY BY TIGHTENING THE M8 SHOULD HEX NUT TO $12 \pm 1 \text{ N}\cdot\text{m}$. M8 NUT AND BOLT CAN BE ASSEMBLED IN LEFT OR RIGHT HAND ORIENTATION FOR BEST ACCESS DURING ASSEMBLY (FIGURE 2).
5. WRAP THE COVER AROUND THE ASSEMBLY AND SECURE IT TO THE BOLT HEAD (AS SHOWN IN THE FULL ASSEMBLY CROSS SECTION). THE RING TERMINAL AND WIRE WILL EXTEND OUT OF ONE OF THE COVER OPENINGS.



FULLY ASSEMBLED CROSS SECTION VIEW
SCALE 1:1

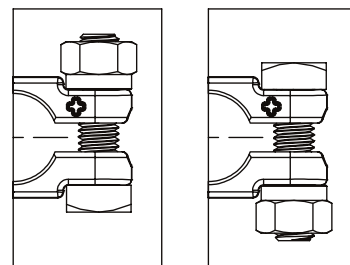


FIGURE 2
M8 NUT AND BOLT ASSEMBLY ORIENTATION
ASSEMBLED WITH M8 BOLT IN THE LEFT HAND ORIENTATION (LEFT HAND IMAGE)
M8 NUT AND BOLT CAN BE ASSEMBLED IN LEFT OR RIGHT HAND ORIENTATION

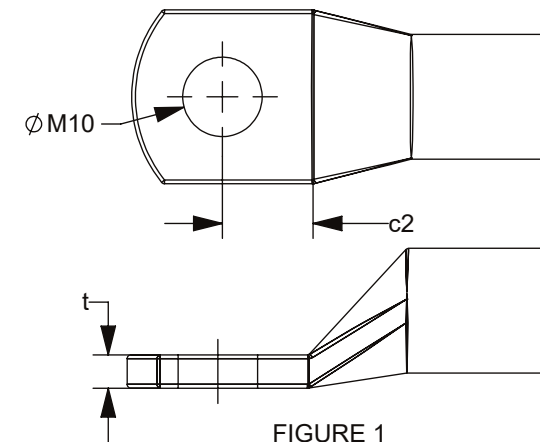


FIGURE 1
EXAMPLE RING TERMINAL
LENGTH "c2" $\geq 11 \text{ mm}$
THICKNESS "t" MUST BE WITHIN 2mm FOR MULTIPLE RING TERMINALS

INTERPRET DRAWING TO ANSI/ASME Y14.5-1994.		
●	FIT/ FUNCTION CRITICAL CHARACTERISTICS SYMBOL	
<S>	SAFETY/ COMPLIANCE CRITICAL CHARACTERISTICS SYMBOL	
CPK	DENOTES CPK DIMENSIONS MINIMUM CPK VALUE	
ST	DENOTES A CHARACTERISTIC THAT PROVIDES AN INDICATION OF PROCESS PERFORMANCE PROCEDURE FOR MEASUREMENT AND TRACKING TO BE DEFINED IN LITTELFUSE INSPECTION INSTRUCTIONS	
CP	DENOTES CP DIMENSIONS. -MINIMUM CP VALUE MUST BE WITHIN THE DIMENSIONAL LIMITATIONS SHOWN ON DRAWING AND INITIALLY LOCATED TO ALLOW FOR MAXIMUM TOOL LIFE	
DIMENSION: MM TOLERANCES UNLESS OTHERWISE SPECIFIED ONE PLACE DECIMAL ± 0.5 THREE PLACES DECIMAL ± 0.100 TWO PLACES DECIMAL ± 0.20 ANGULAR $\pm 2^\circ$		
NAME	DATE	<p>Expertise Applied Answers Delivered</p>
DRAWN L.VOGL	2/1/2019	
CHECKED -	-	
-	-	
FORM NO: CVP-PE40-0004 REV A	TITLE BMZF 2 POSITION + BATTERY POST ASSEMBLY	
THIRD ANGLE PROJECTION	SIZE B DWG. NO. OL-FHZ00857 REV. B	
DO NOT SCALE DRAWING	SCALE 1:2	SHEET 2 OF 2