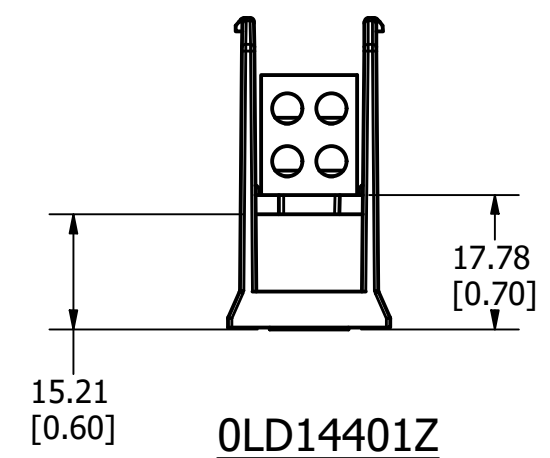
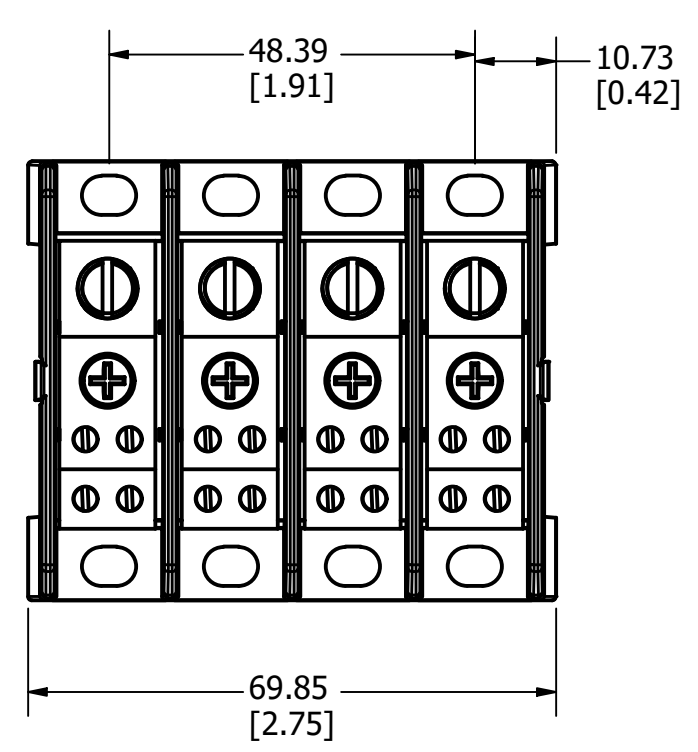
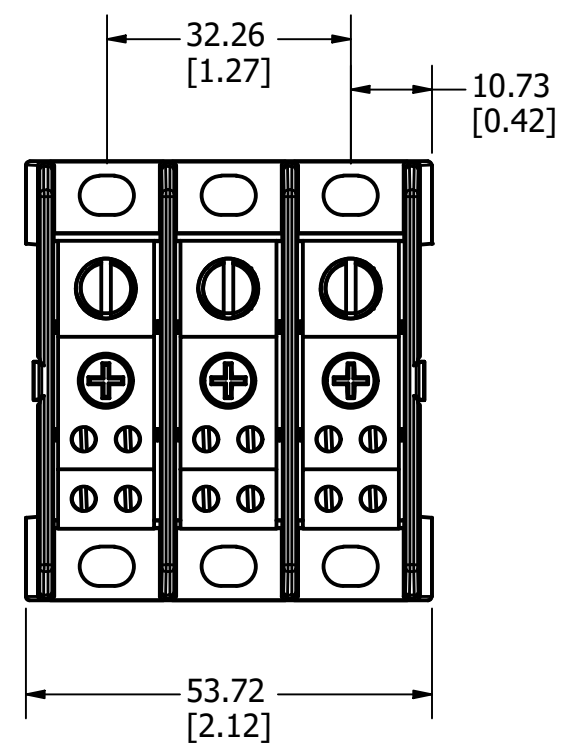
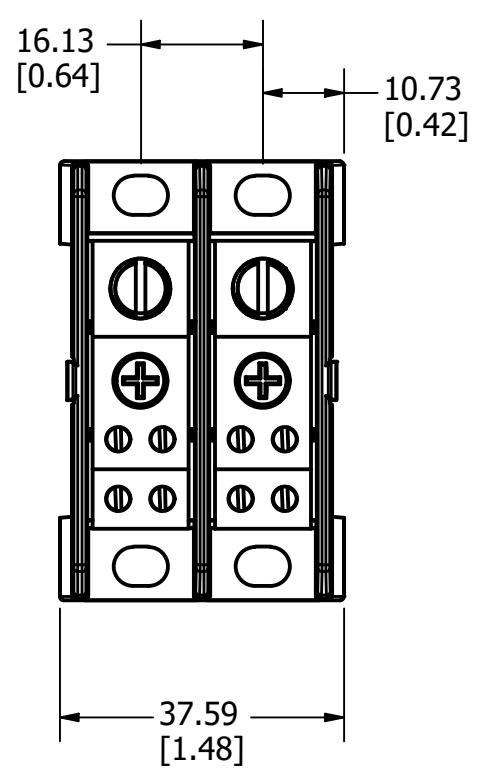
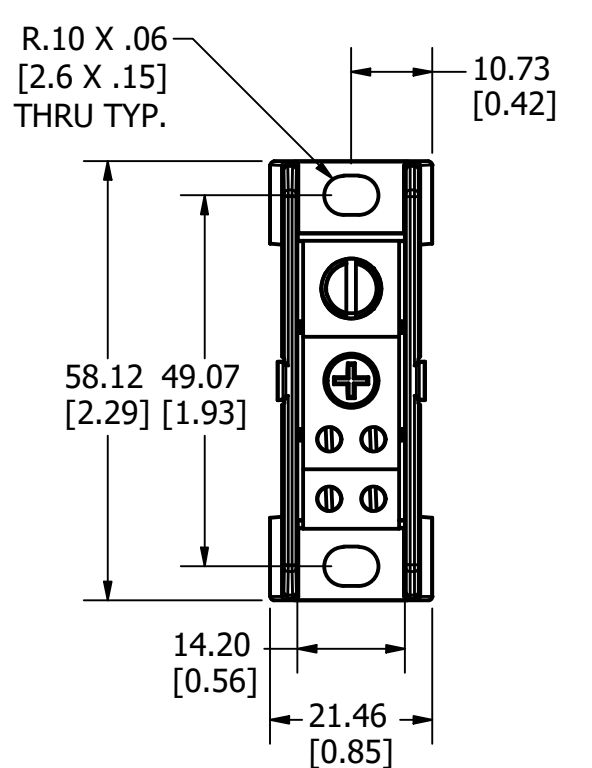
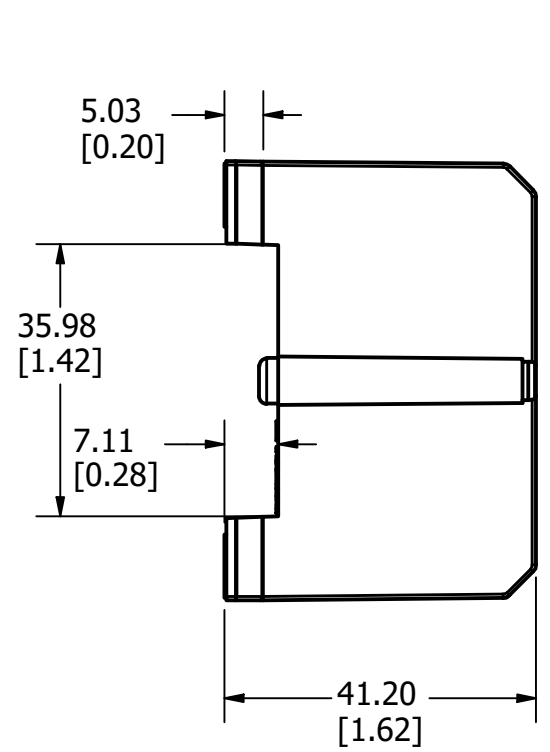
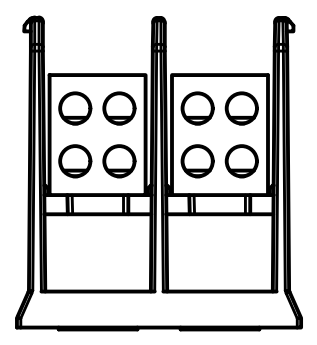


PART NUMBER
OLD14401Z
OLD14402Z
OLD14403Z
OLD14404Z

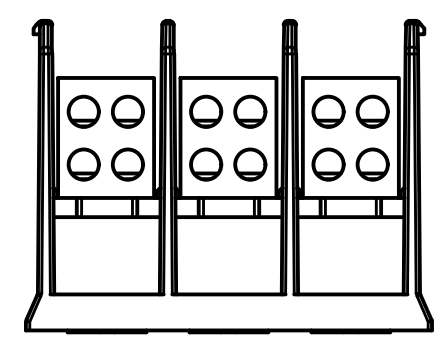
REVISION		
REV	DATE	DESCRIPTION
A	12/11/17	51651SGCP - RELEASE PER EM2988 MRY
B	1/5/22	524659ECP/D - CORRECT PART NUMBERS IN CHART MRY



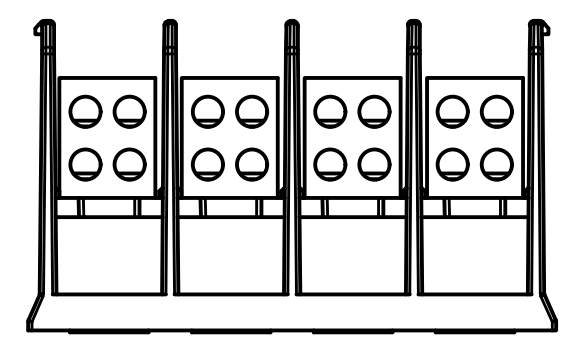
**OLD14401Z**



**OLD14402Z**

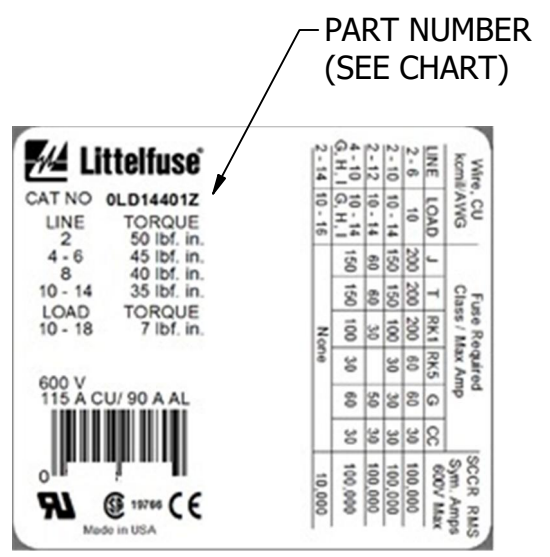


**OLD14403Z**



**OLD14404Z**

- NOTES:**
- AGENCY INFORMATION  
UL FILE NO. E171395  
CSA FILE NO. LR700111
  - MATERIALS:  
INSULATOR BASE: THERMOPLASTIC  
CONNECTOR: ALUMINUM, TIN PLATED
  - TERMINATION:  
LINE: (1) #2-14 AWG  
LOAD: (4) #10-18 AWG
  - MAXIMUM AMP RATING PER POLE: 115A
  - TORQUE:  
LINE: #2 AWG 5.6 Nm (50 IN-LB)  
#4-6 AWG 5.1 Nm (45 IN-LB)  
#8 AWG 4.5 Nm (40 IN-LB)  
#10-14 AWG 4 Nm (35 IN-LB)  
  
LOAD: #10-18 AWG 0.8 Nm (7 IN-LB)



**DETAIL "A"**  
**PRODUCT LABEL**

**TOLERANCE (UNLESS OTHERWISE SPECIFIED):**  
1 PLACE ± 2.5mm [0.10]  
2 PLACE ± 0.76mm [0.03]  
3 PLACE ± 0.381mm [0.015]

●	DENOTES CRITICAL CHARACTERISTICS.		
CPK	DENOTES CPK DIMENSIONS, -MINIMUM CPK VALUE		
(ST)	DENOTES A CHARACTERISTIC THAT PROVIDES AN INDICATION OF PROCESS PERFORMANCE. PROCEDURE FOR MEASUREMENT AND TRACKING TO BE DEFINED IN LITTELFUSE INSPECTION INSTRUCTIONS.		
CP	DENOTES CP DIMENSIONS, -MINIMUM CP VALUE. MUST BE WITHIN THE DIMENSIONAL LIMITATIONS SHOWN ON DRAWING AND INITIALLY LOCATED TO ALLOW FOR MAXIMUM TOOL LIFE.		
MATL SPEC	FINISH		
DRW MYORK	DATE 10/16/2017	SCALE NTS	FINISH GOOD WT GRAMS/PIECE
UNLESS OTHERWISE SPECIFIED, DIMENSIONS ARE IN MILLIMETERS, DIMENSIONS IN BRACKETS [ ] ARE INCHES DIMENSIONING AND DO NOT INCLUDE PLATING. TOLERANCING TO BE INTERPRETED IN ACCORDANCE WITH ANSI Y14.5M-1994			
3RD ANGLE PROJECTION			
<b>TITLE</b> OLD1440 SERIES DISTRIBUTION BLOCK OUTLINE			
<b>Littelfuse</b> CHICAGO, ILLINOIS 60631		<b>REVISION</b> B	<b>DRWG NO.</b> OL-LD1440 SHEET 1 OF 1