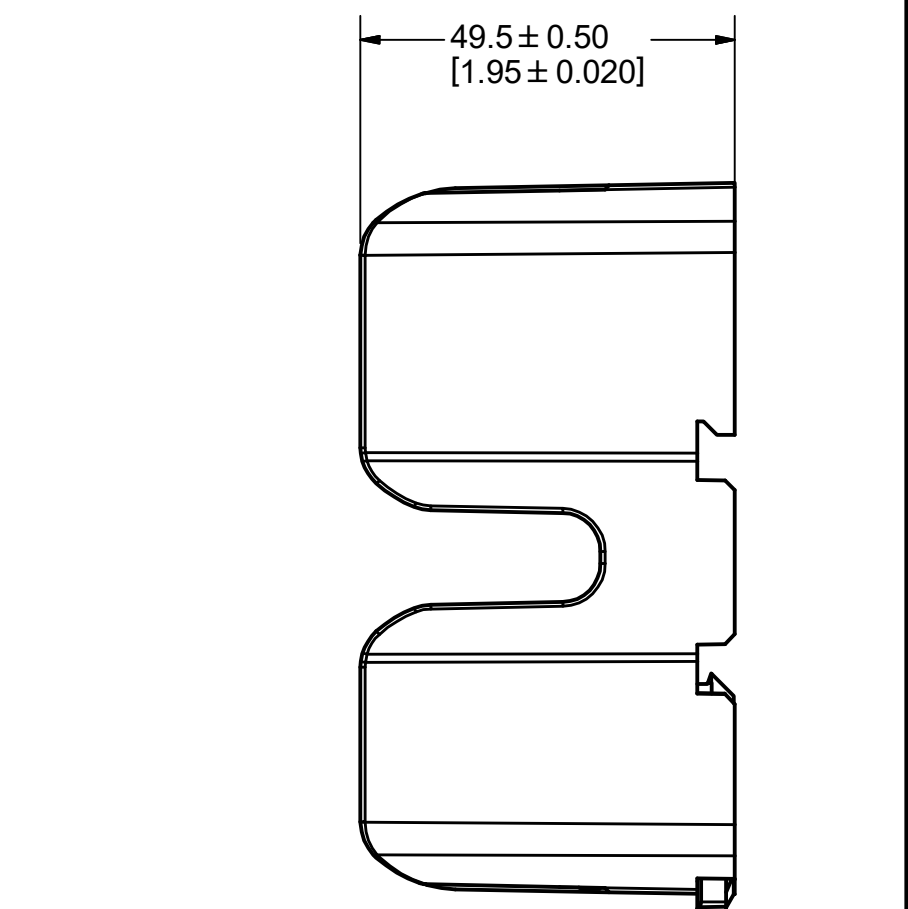


| REVISION | | |
|----------|---------|-------------------------|
| REV | DATE | DESCRIPTION |
| A | 3/21/19 | 520502GCP - RELEASE MRY |



SPECIFICATIONS:

VOLTAGE RATING: 600V

AMPERE RATING: 60 AMPERES

INTERRUPT RATING: 200kA

TERMINAL TYPE: BOX LUG

SUGGESTED TORQUE: 2.8 N-m (25 IN-LBS) 6-14AWG
5.6 N-m (50 IN-LBS) 2-4 AWG

WIRE RANGE: 2-14 AWG Cu/Al
SOLID/STRANDED

APPROVALS: UL LISTED (FILE NO. E14721)
CSA CERTIFIED (FILE NO. 007316_0_000)

| | |
|-----|--|
| <S> | CRITICAL CHARACTERISTIC FOR PART SAFETY/COMPLIANCE. |
| ● | DENOTES CRITICAL CHARACTERISTICS. |
| CPK | DENOTES CPK DIMENSIONS, -MINIMUM CPK VALUE |
| ⊠ | DENOTES A CHARACTERISTIC THAT PROVIDES AN INDICATION OF PROCESS PERFORMANCE. PROCEDURE FOR MEASUREMENT AND TRACKING TO BE DEFINED IN LITTELFUSE INSPECTION INSTRUCTIONS. |
| CP | DENOTES CP DIMENSIONS, -MINIMUM CP VALUE MUST BE WITHIN THE DIMENSIONAL LIMITATIONS SHOWN ON DRAWING AND INITIALLY LOCATED TO ALLOW FOR MAXIMUM TOOL LIFE. |

| | | | |
|-----------|---------------|-----------|----------------------------|
| MATL SPEC | | FINISH | |
| DRW MYORK | DATE 3/4/2019 | SCALE NTS | FINISH GOOD WT GRAMS/PIECE |

UNLESS OTHERWISE SPECIFIED, DIMENSIONS ARE IN MILLIMETERS, DIMENSIONS IN BRACKETS [] ARE INCHES DIMENSIONING AND DO NOT INCLUDE PLATING. TOLERANCING TO BE INTERPRETED IN ACCORDANCE WITH ANSI Y14.5M-1994



| | |
|--------------|-----------------------------|
| TITLE | LFC60060C-HX SERIES OUTLINE |
|--------------|-----------------------------|

| | | | |
|--|----------------------|------------------------------------|-------------------------------|
| Littelfuse DES PLAINES, ILLINOIS 60016 | REVISION A | DRWG NO. OL-LFC60060C-HX | SHEET 1 OF 1 SERIES |
|--|----------------------|------------------------------------|-------------------------------|