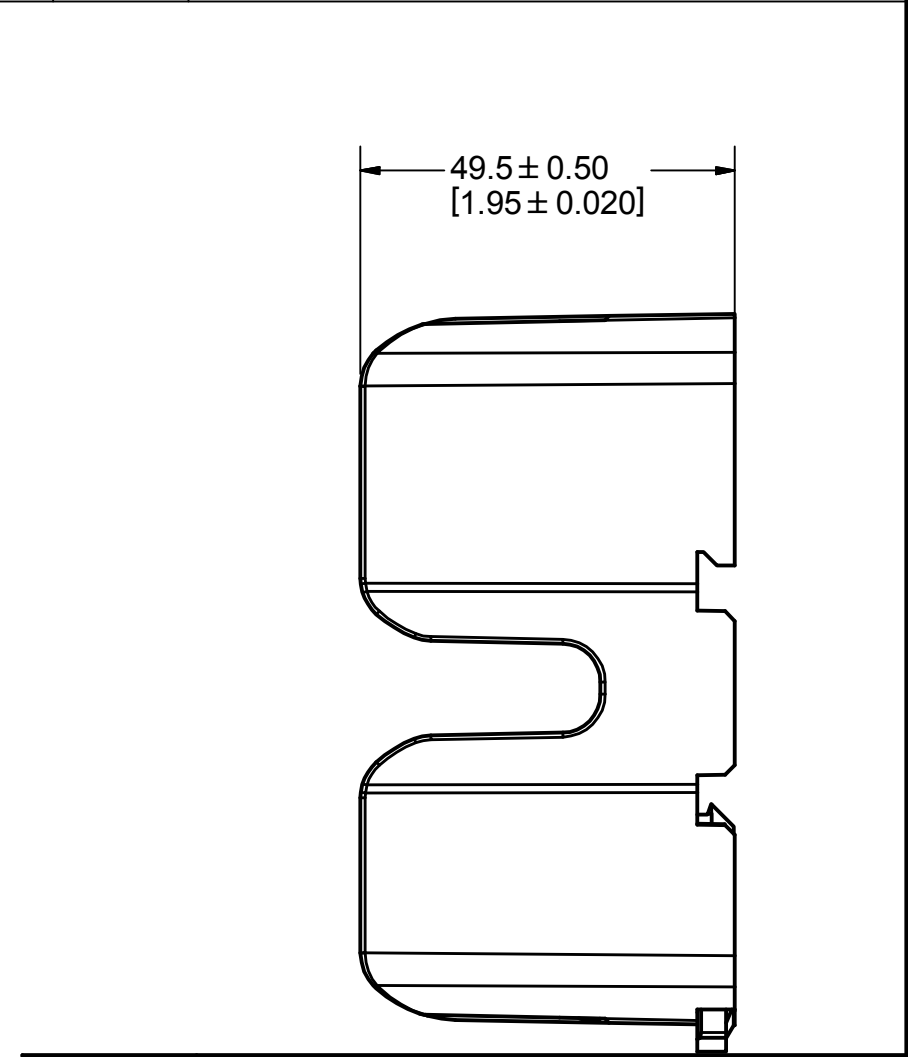


REVISION		
REV	DATE	DESCRIPTION
A	7/26/2011	502932ERP - RELEASE MRY
B	1/24/18	518781ECP/D - ADD WIDTH, HEIGHT AND LENGTH TOLERANCE MRY



**SPECIFICATIONS:**

**VOLTAGE RATING:** 600V

**AMPERE RATING:** 60 AMPERES

**INTERRUPT RATING:** 200kA

**TERMINAL TYPE:** BOX LUG

**SUGGESTED TORQUE:** 2.8 N-m (25 IN-LBS) 6-14AWG  
5.6 N-m (50 IN-LBS) 2-4 AWG

**WIRE RANGE:** 2-14 AWG Cu/Al  
SOLID/STRANDED

**APPROVALS:** UL LISTED (FILE NO. E14721)  
CSA CERTIFIED (FILE NO. 007316\_0\_000)

●	DENOTES CRITICAL CHARACTERISTICS.
CPK	DENOTES CPK DIMENSIONS, -MINIMUM CPK VALUE
⊠	DENOTES A CHARACTERISTIC THAT PROVIDES AN INDICATION OF PROCESS PERFORMANCE. PROCEDURE FOR MEASUREMENT AND TRACKING TO BE DEFINED IN LITTELFUSE INSPECTION INSTRUCTIONS.
CP	DENOTES CP DIMENSIONS, -MINIMUM CP VALUE MUST BE WITHIN THE DIMENSIONAL LIMITATIONS SHOWN ON DRAWING AND INITIALLY LOCATED TO ALLOW FOR MAXIMUM TOOL LIFE.

MATL SPEC		FINISH	
DRW MYORK	DATE 3/24/2011	SCALE NTS	FINISH GOOD WT GRAMS/PIECE

UNLESS OTHERWISE SPECIFIED, DIMENSIONS ARE IN MILLIMETERS, DIMENSIONS IN BRACKETS [ ] ARE INCHES DIMENSIONING AND DO NOT INCLUDE PLATING. TOLERANCING TO BE INTERPRETED IN ACCORDANCE WITH ANSI Y14.5M-1994



**TITLE** LFC60060-CID SERIES OUTLINE

	REVISION	DRWG NO.	SHEET 1 OF 1 SERIES
	B	OL-LFC60060CID	