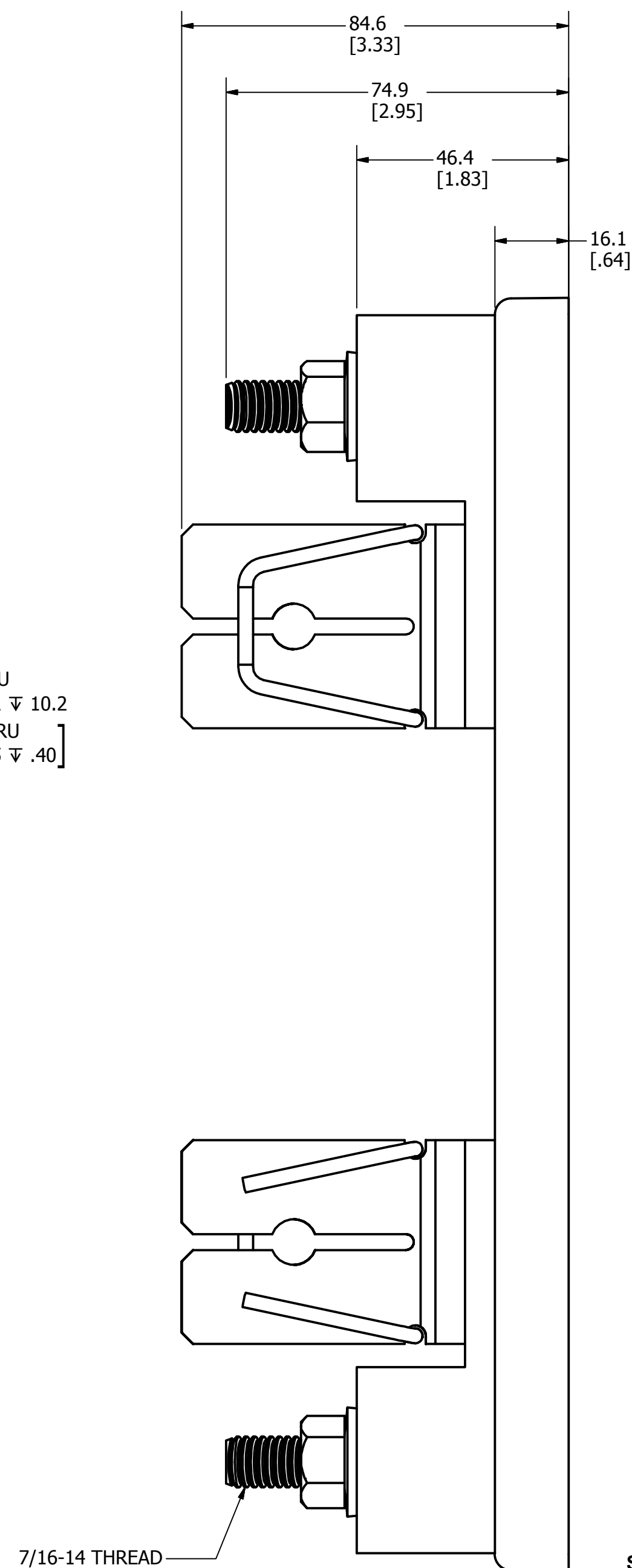
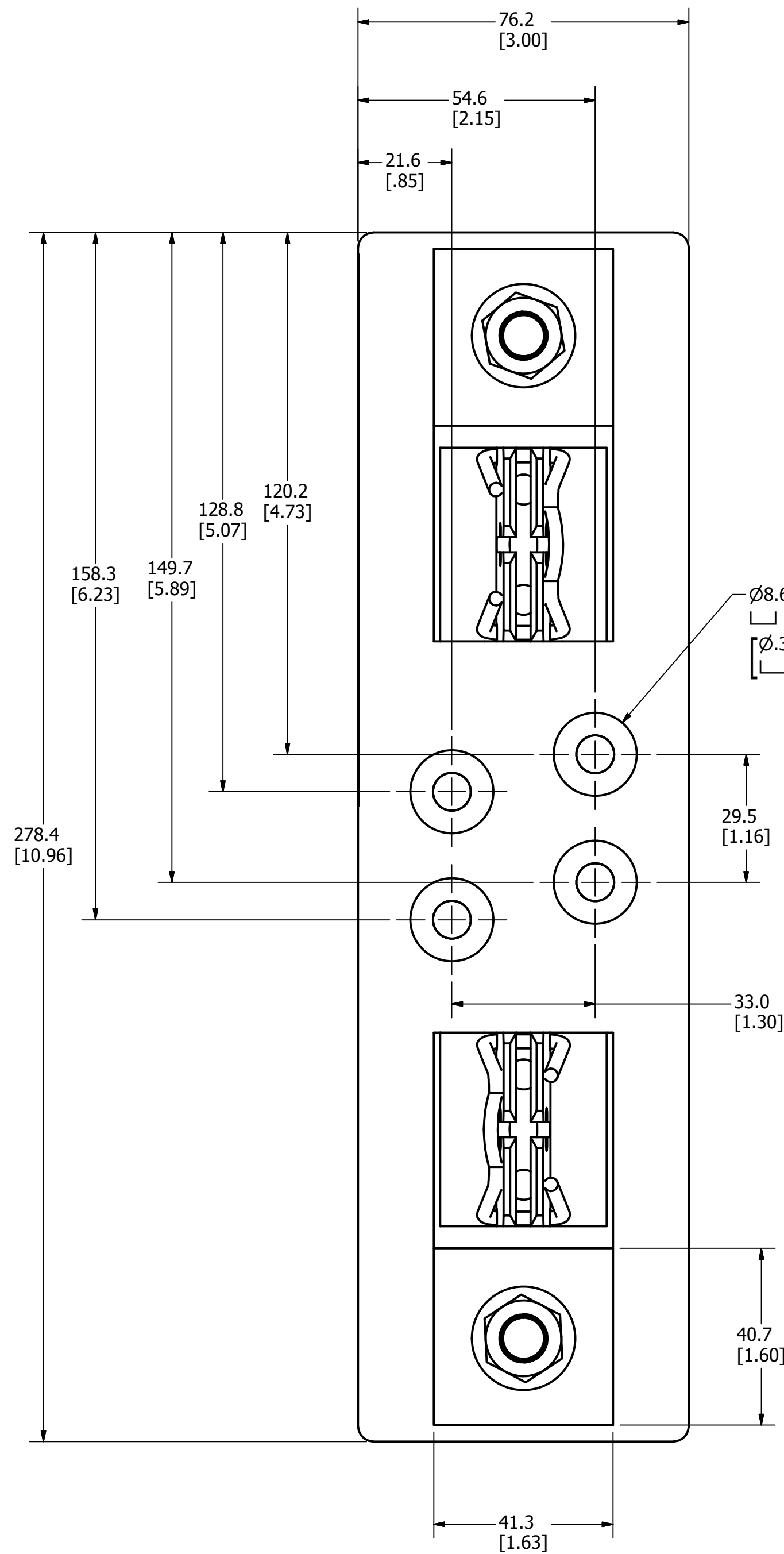


REVISION		
REV	DATE	DESCRIPTION
A	9/18/2012	506133ERP - RELEASED PER SALES RELEASE EM2390 -TV
B	12/20/2012	507000ECP - ADD DIMS AND THREAD CALLOUT -TV



SPECIFICATIONS:

VOLTAGE RATING: 1000VDC

AMPERE RATING: 400 AMPERES

INTERRUPT RATING: 10kA

TERMINAL TYPE: STUD

TERMINAL TORQUE: 22.6 N-m (200 in-lb)

APPROVALS: UL LISTED (UL 4248-18)

●	DENOTES CRITICAL CHARACTERISTICS.
CPK	DENOTES CPK DIMENSIONS, -MINIMUM CPK VALUE
(ST)	DENOTES A CHARACTERISTIC THAT PROVIDES AN INDICATION OF PROCESS PERFORMANCE. PROCEDURE FOR MEASUREMENT AND TRACKING TO BE DEFINED IN LITTELFUSE INSPECTION INSTRUCTIONS.
CP	DENOTES CP DIMENSIONS, -MINIMUM CP VALUE MUST BE WITHIN THE DIMENSIONAL LIMITATIONS SHOWN ON DRAWING AND INITIALLY LOCATED TO ALLOW FOR MAXIMUM TOOL LIFE.

MATL SPEC	FINISH
-----------	--------

DRW	DATE	SCALE	FINISH GOOD WT
TVESELSK	9/18/2012	NTS	GRAMS/PIECE

UNLESS OTHERWISE SPECIFIED, DIMENSIONS ARE IN MILLIMETERS, DIMENSIONS IN BRACKETS [] ARE INCHES DIMENSIONING AND DO NOT INCLUDE PLATING. TOLERANCING TO BE INTERPRETED IN ACCORDANCE WITH ANSI Y14.5M-1994

3RD ANGLE PROJECTION	
----------------------	--

TITLE
OUTLINE FOR LFJ104001CST

CHICAGO, ILLINOIS 60631	REVISION	DRWG NO.	SHEET 1 OF 1
	B	OL-LFJ104001CST	