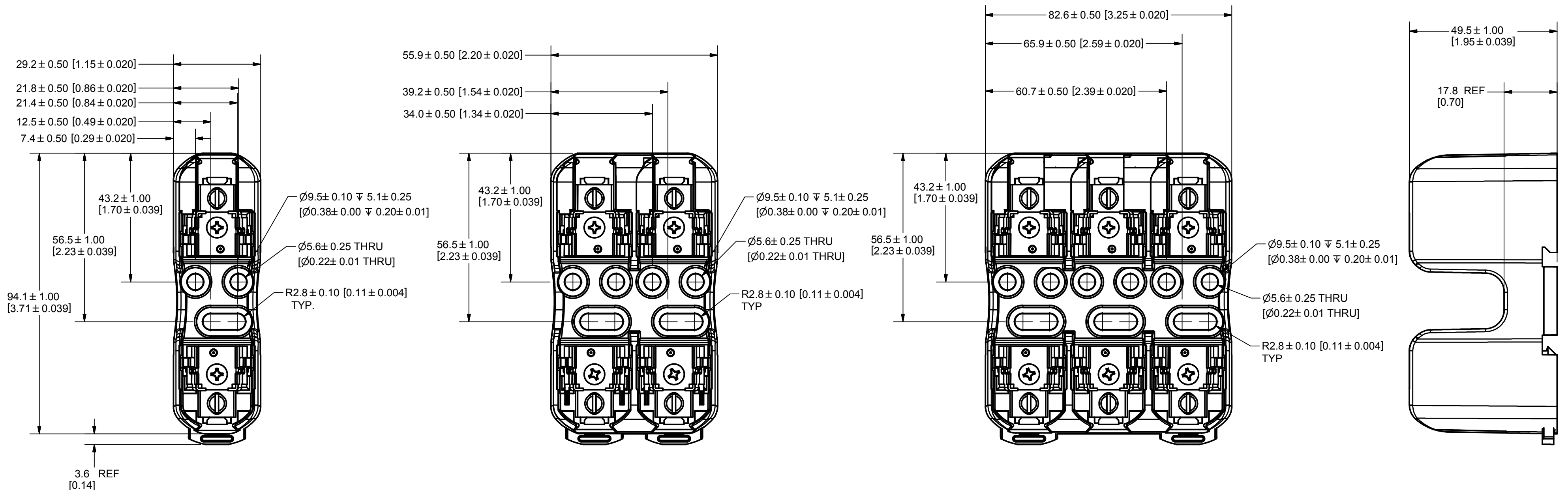


REVISION			
REV	DATE	DESCRIPTION	
A	3/21/2011	501865ERP - RELEASE MRY	
B	6/11/2015	514412ECP/D - ADD DIMENSION TOLERANCES MRY	



SPECIFICATIONS:

VOLTAGE RATING: 600V

AMPERE RATING: 30 AMPERES

INTERRUPT RATING: 200kA

TERMINAL TYPE: BOX LUG

SUGGESTED TORQUE: 2.8 N-m (25 IN-LBS)

WIRE RANGE: 6 -14 AWG Cu ONLY
SOLID/STRANDED

APPROVALS: UL LISTED (FILE NO. E14721)
CSA CERTIFIED (FILE NO. LR7316)

●	DENOTES CRITICAL CHARACTERISTICS.
CPK	DENOTES CPK DIMENSIONS, -MINIMUM CPK VALUE
(ST)	DENOTES A CHARACTERISTIC THAT PROVIDES AN INDICATION OF PROCESS PERFORMANCE. PROCEDURE FOR MEASUREMENT AND TRACKING TO BE DEFINED IN LITTELFUSE INSPECTION INSTRUCTIONS.
CP	DENOTES CP DIMENSIONS, -MINIMUM CP VALUE. MUST BE WITHIN THE DIMENSIONAL LIMITATIONS SHOWN ON DRAWING AND INITIALLY LOCATED TO ALLOW FOR MAXIMUM TOOL LIFE.

MATL SPEC	FINISH		
DRW MYORK	DATE 3/21/2011	SCALE NTS	FINISH GOOD WT GRAMS/PIECE

UNLESS OTHERWISE SPECIFIED, DIMENSIONS ARE IN MILLIMETERS, DIMENSIONS IN BRACKETS [] ARE INCHES DIMENSIONING AND DO NOT INCLUDE PLATING. TOLERANCING TO BE INTERPRETED IN ACCORDANCE WITH ANSI Y14.5M-1994

3RD ANGLE PROJECTION	
----------------------	--

TITLE LFJ60030-CID SERIES OUTLINE

Littelfuse DES PLAINES, ILLINOIS 60016	REVISION B	DRWG NO. OL-LFJ60030CID	SHEET 1 OF 1 SERIES
--	----------------------	-----------------------------------	-------------------------------