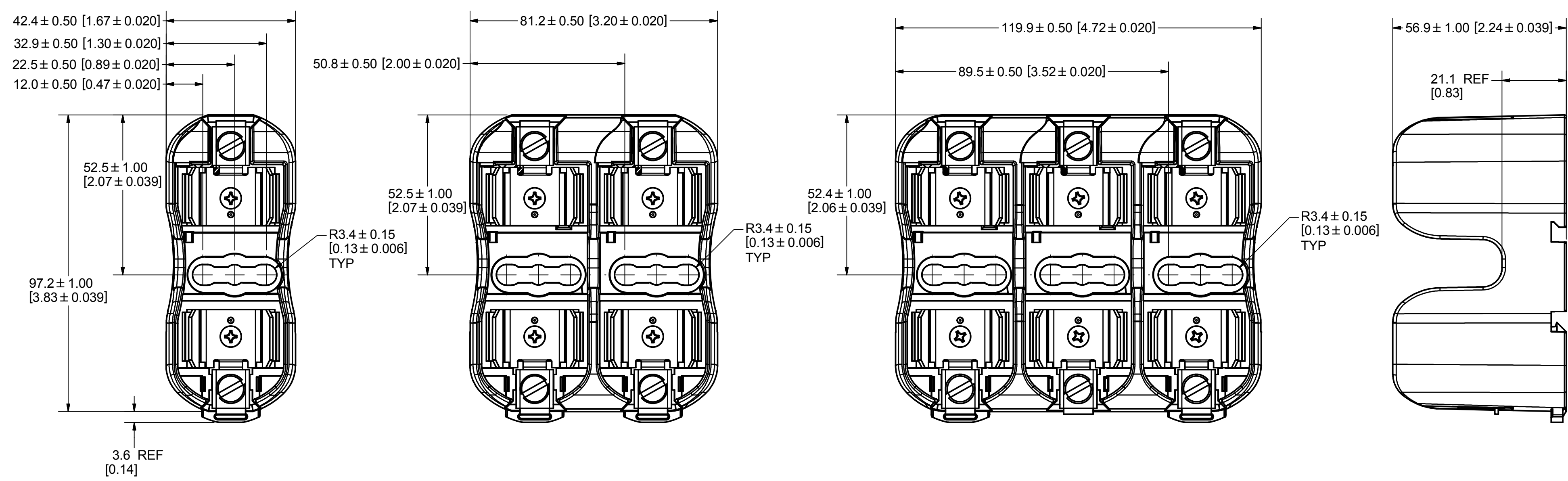


REVISION		DESCRIPTION
REV	DATE	
A	3/21/2011	501865ERP - RELEASE MRY
B	2/9/2012	504264ECP - UPDATE TORQUE LDL
C	6/11/2015	514412ECP/D - ADD DIMENSION TOLERANCES MRY



**SPECIFICATIONS:**

- VOLTAGE RATING:** 600V
- AMPERE RATING:** 60 AMPERES
- INTERRUPT RATING:** 200kA
- TERMINAL TYPE:** BOX LUG
- SUGGESTED TORQUE:** 2.8 N-m (25 IN-LBS) 6-14 AWG  
5.6 N-m (50 IN-LBS) 2-4 AWG
- WIRE RANGE:** 2 -14 AWG Cu/Al  
SOLID/STRANDED
- APPROVALS:** UL LISTED (FILE NO. E14721)  
CSA CERTIFIED (FILE NO. LR7316)

●	DENOTES CRITICAL CHARACTERISTICS.		
CPK	DENOTES CPK DIMENSIONS, -MINIMUM CPK VALUE		
(ST)	DENOTES A CHARACTERISTIC THAT PROVIDES AN INDICATION OF PROCESS PERFORMANCE. PROCEDURE FOR MEASUREMENT AND TRACKING TO BE DEFINED IN LITTELFUSE INSPECTION INSTRUCTIONS.		
CP	DENOTES CP DIMENSIONS, -MINIMUM CP VALUE. MUST BE WITHIN THE DIMENSIONAL LIMITATIONS SHOWN ON DRAWING AND INITIALLY LOCATED TO ALLOW FOR MAXIMUM TOOL LIFE.		
MATL SPEC	FINISH		
DRW MYORK	DATE 3/21/2011	SCALE NTS	FINISH GOOD WT GRAMS/PIECE
UNLESS OTHERWISE SPECIFIED, DIMENSIONS ARE IN MILLIMETERS, DIMENSIONS IN BRACKETS [ ] ARE INCHES DIMENSIONING AND DO NOT INCLUDE PLATING. TOLERANCING TO BE INTERPRETED IN ACCORDANCE WITH ANSI Y14.5M-1994			
3RD ANGLE PROJECTION			
TITLE	LFJ60060 SERIES OUTLINE		
DES PLAINES, ILLINOIS 60016	REVISION C	DRWG NO. OL-LFJ60060	SHEET 1 OF 1