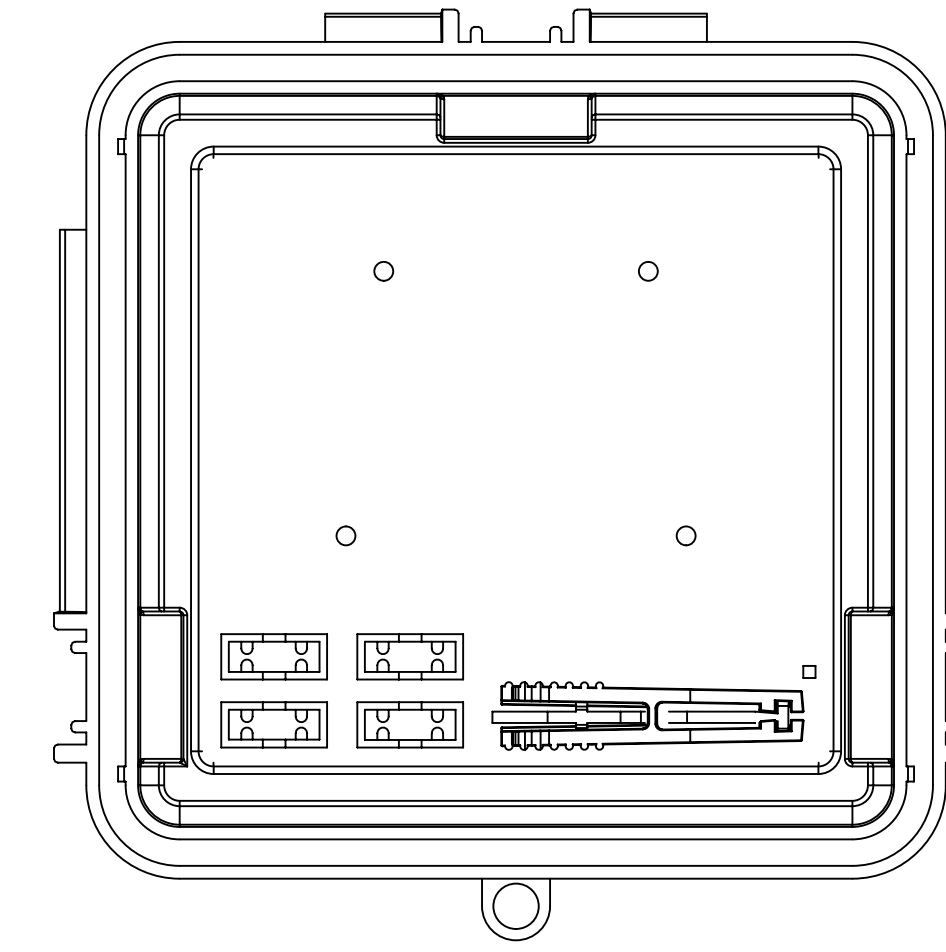
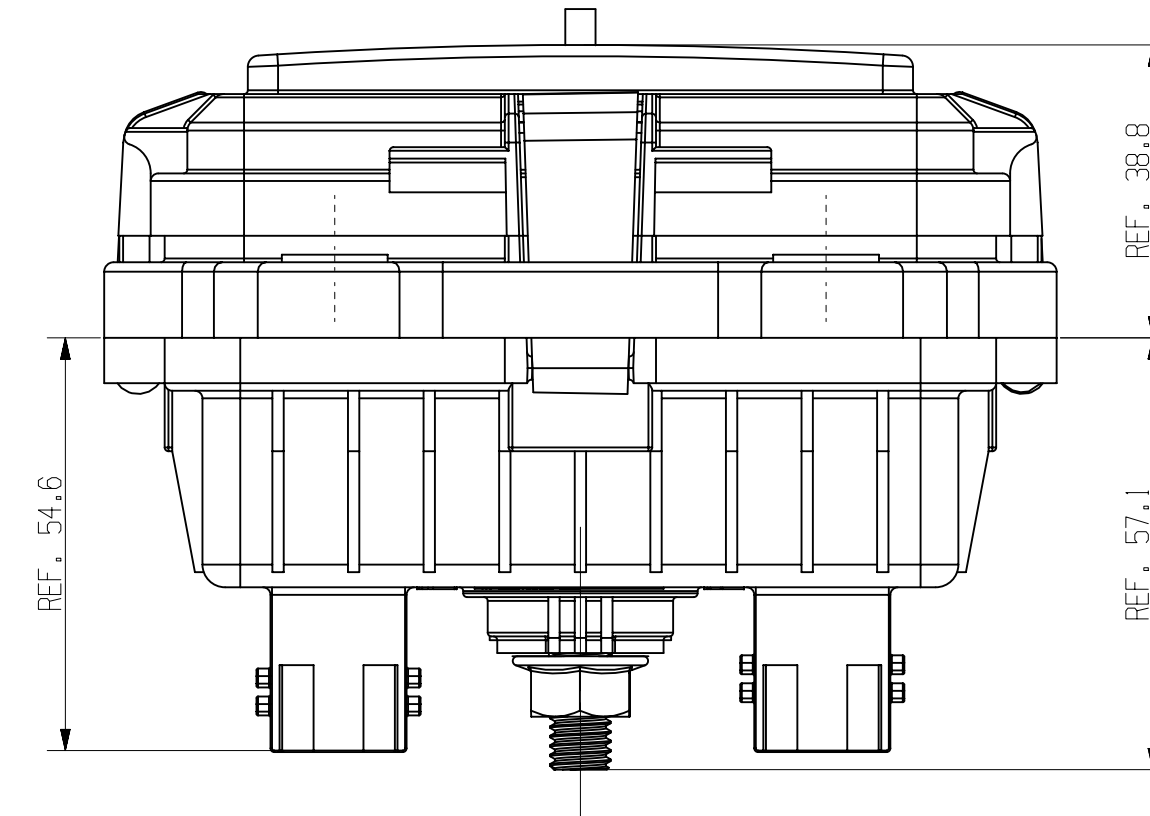
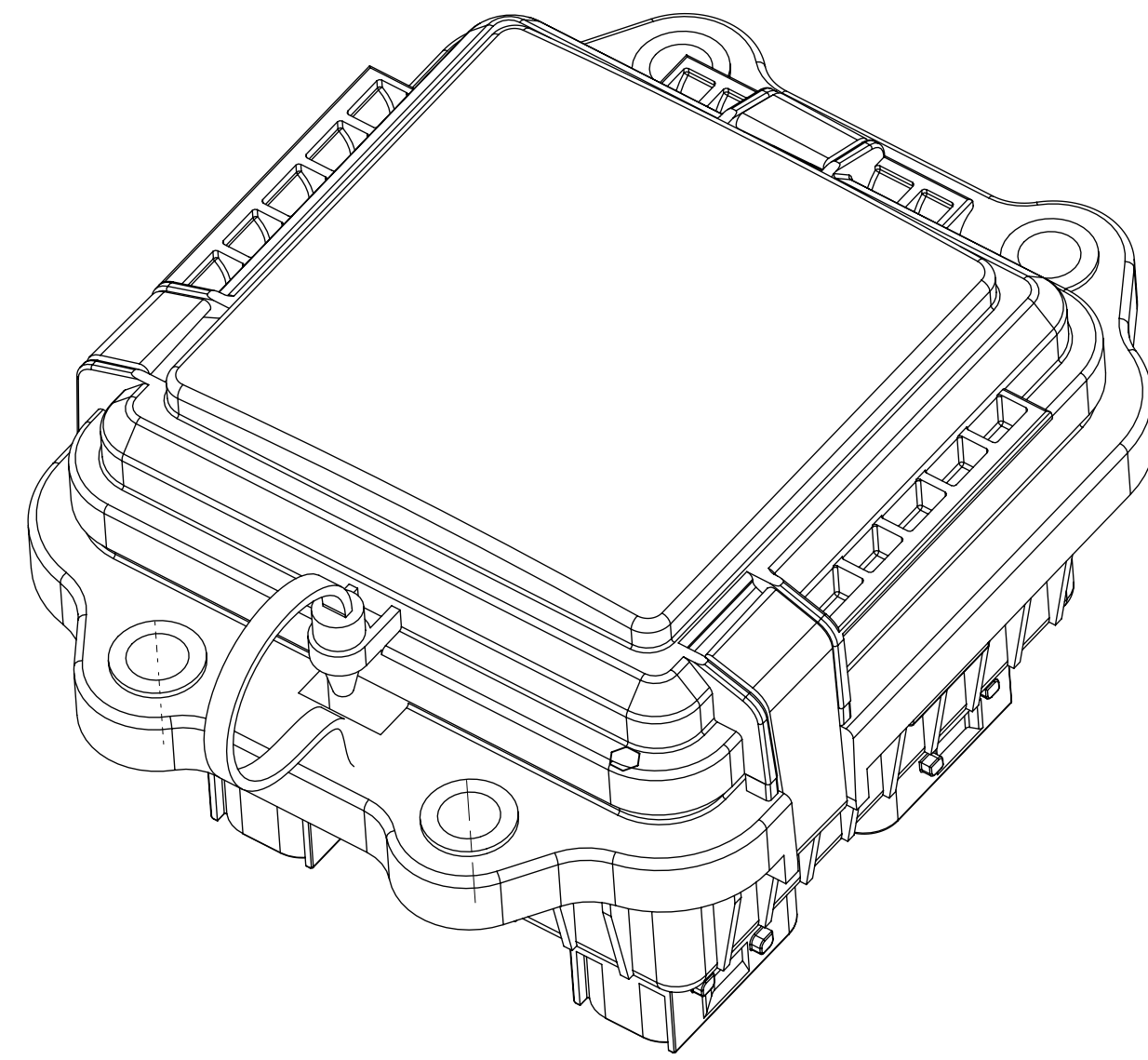
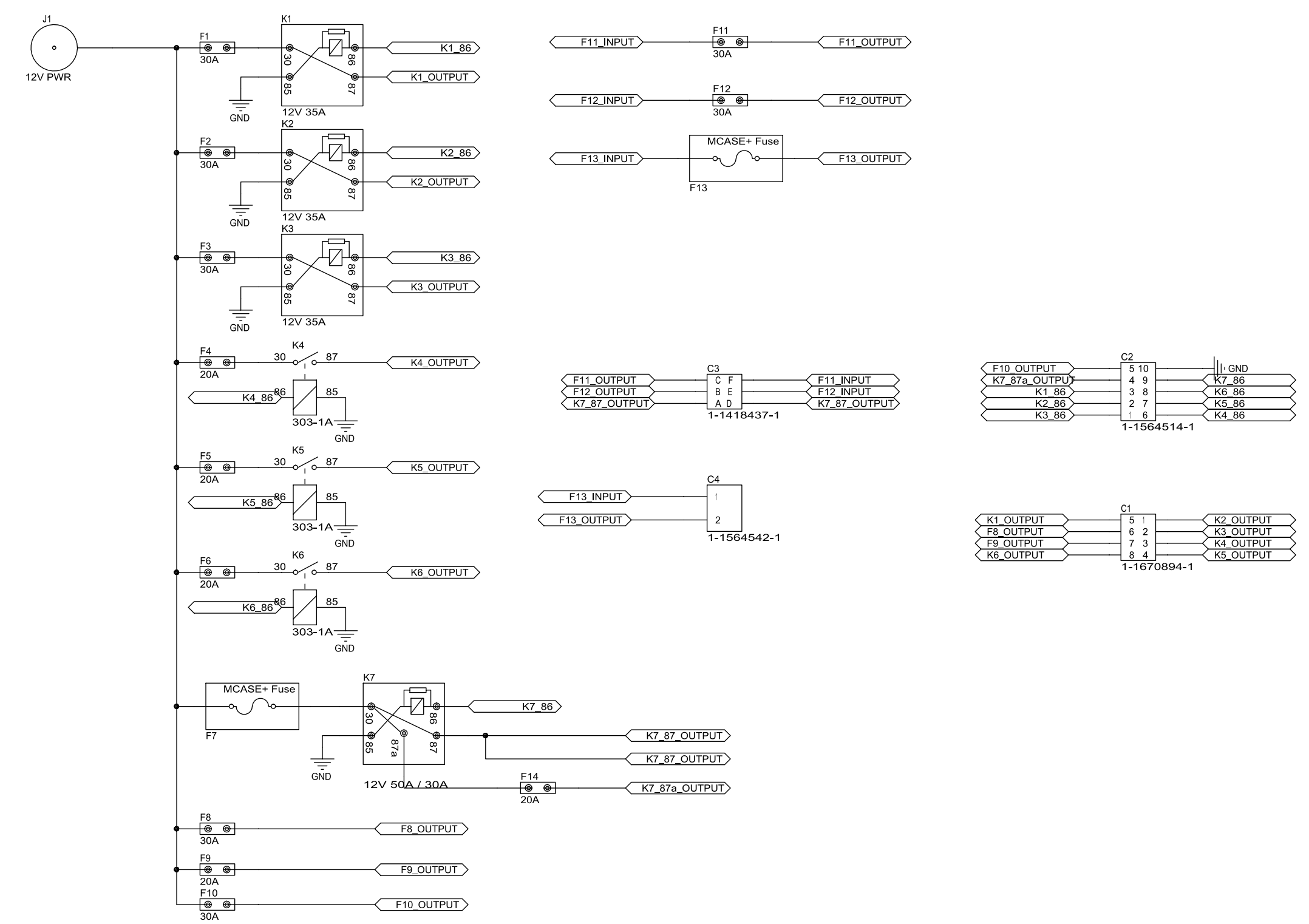
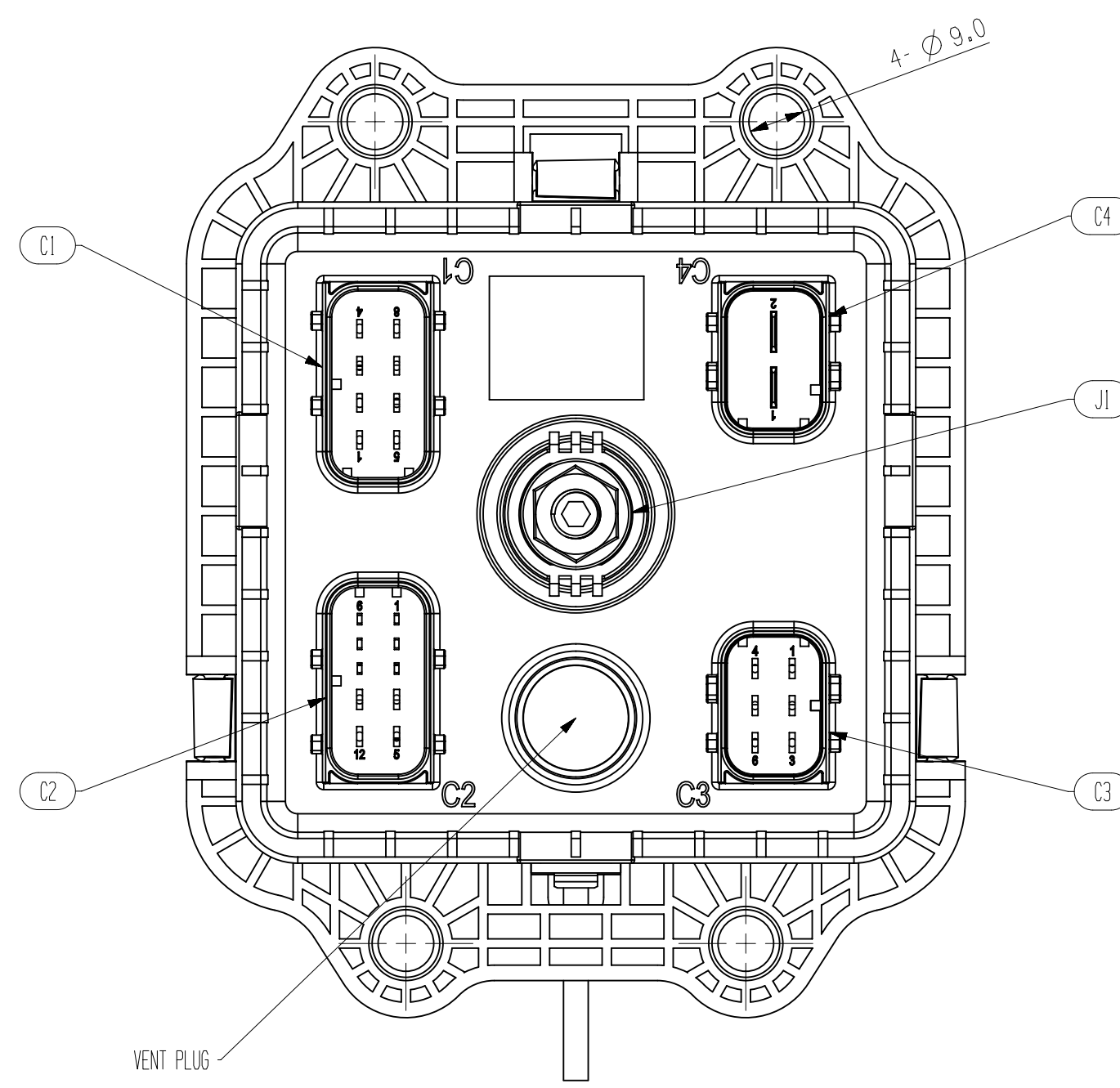
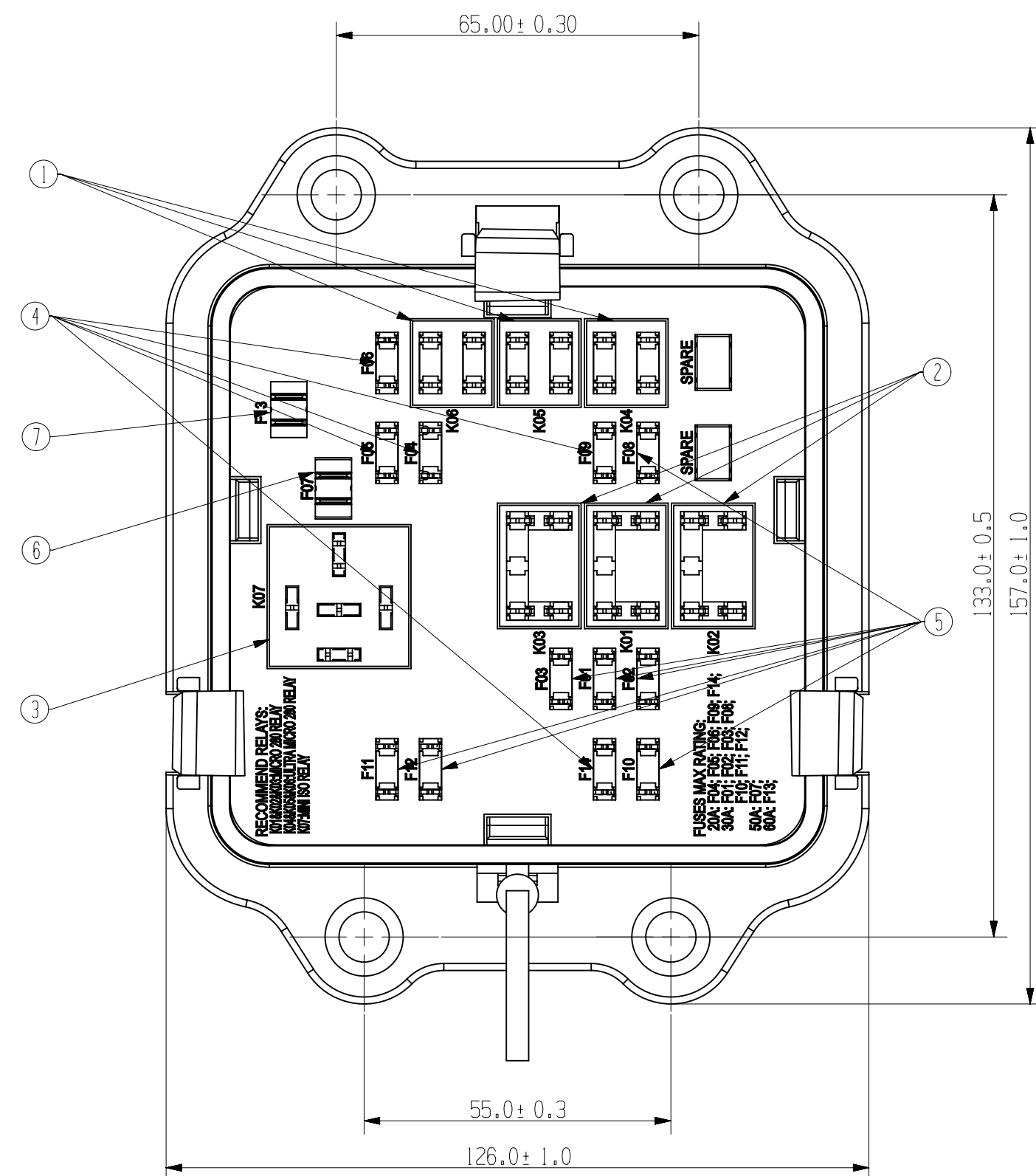


THIS DRAWING AND THE INFORMATION CONTAINED WITHIN IT ARE CONFIDENTIAL AND MAY NOT BE COPIED OR DISCLOSED WITHOUT THE WRITTEN PERMISSION OF LITTELFUSE.

REVISION				
ZONE	REV.	DESCRIPTION	DATE	APPROVED
	A	GCF:518617 NEW RELEASE	09/07/17	
	B	ECN519144 REMOVE RELAYS AND FUSES FOR MARKETING APPLICATION		



SCALE:1:2
COVER WITH BACK UP FUSES AND FUSE PULLER



NOTES:
A. MATERIAL: COVER/HOUSING/: PA66GF30IUL94-V0), TETHER: TPE GASKET: SILICON RUBBER
B. ALL FUSE MUST NOT EXCEED 70% OF RATED CURRENT.
C. MAX MAIN INPUT: 150A
D. OPERATING TEMPERATURE RANGE: -40 C. TO +85 C
E. RELAY AND FUSES INSERT ACCORDING TO LABEL.
F. WB MOUNTING TORQUE: 12-15NM.
G. INPUT STUD TERMINAL TORQUE: 12-15NM.
H. INGRESS PROTECTION RATING: IP67
I. THE MATED CONNECTOR: SEE DIAGRAM
J. RECOMMEND RELAYS AND MAX FUSES RATING: SEE THE CHART

NO	POSITION	DESCRIPTION	LITTELFUSE PART #
8	COVER	FUSE PULLER	009700322
ACCESSORY			
7	F13	50A WCASE FUSE 32V	086500.PMPS
6	F07	50A WCASE FUSE 32V	086500.PMPS
5	F04; F02; F03; F08; F10; F11; F12	30A MINI FUSE 32V	029700.WNV
4	F04; F05; F06; F08; F14	20A MINI FUSE 32V	029700.WNV
MAX. FUSES RATING			
3	K7	MINI 150 RELAY	02040882
2	K04; K05; K06	ULTRA MICRO 280 RELAY	02040882
1	K01; K02; K03	MICRO 280 RELAY	02040882
RELAYS			

C4	1-1564542-1
C3	1-1418437-1
C2	2-1564514-1
C1	1-1670894-1
J1	MB STUD
CONNECTOR	

INTERPRET DRAWING TO ANSI/ASME Y14.5-1994.

- DENOTES PRODUCTS CRITICAL CHARACTERISTICS
- CPK DENOTES CPK DIMENSIONS MINIMUM CPK VALUE
- ST DENOTES A CHARACTERISTIC THAT PROVIDES AN INDICATION OF PROCESS PERFORMANCE PROCEDURE FOR MEASUREMENT TRACKING TO BE DEFINED IN LITTELFUSE INSPECTION INSTRUCTIONS
- CP DENOTES CP DIMENSIONS - MINIMUM CP VALUE MUST BE WITHIN THE DIMENSIONAL LIMITATIONS SHOWN ON DRAWING AND INITIALLY LOCATED TO ALLOW FOR MAXIMUM TOOL LIFE

TOLERANCES UNLESS OTHERWISE SPECIFIED:
ONE PLACE DECIMAL: ± 0.5
TWO PLACES DECIMAL: ± 0.20
THREE PLACES DECIMAL: ± 0.100
ANGULAR: ± 2°

DRWN	NAME	DATE
CHECKED		

Littelfuse
Expertise Applied / Answers Delivered

TITLE: MARKET FLM

THIRD ANGLE PROJECTION

SIZE: 10.0
DWG NO: OL-LFMX0007Z-01
SCALE: 1:1
SHEET: 1 OF 1