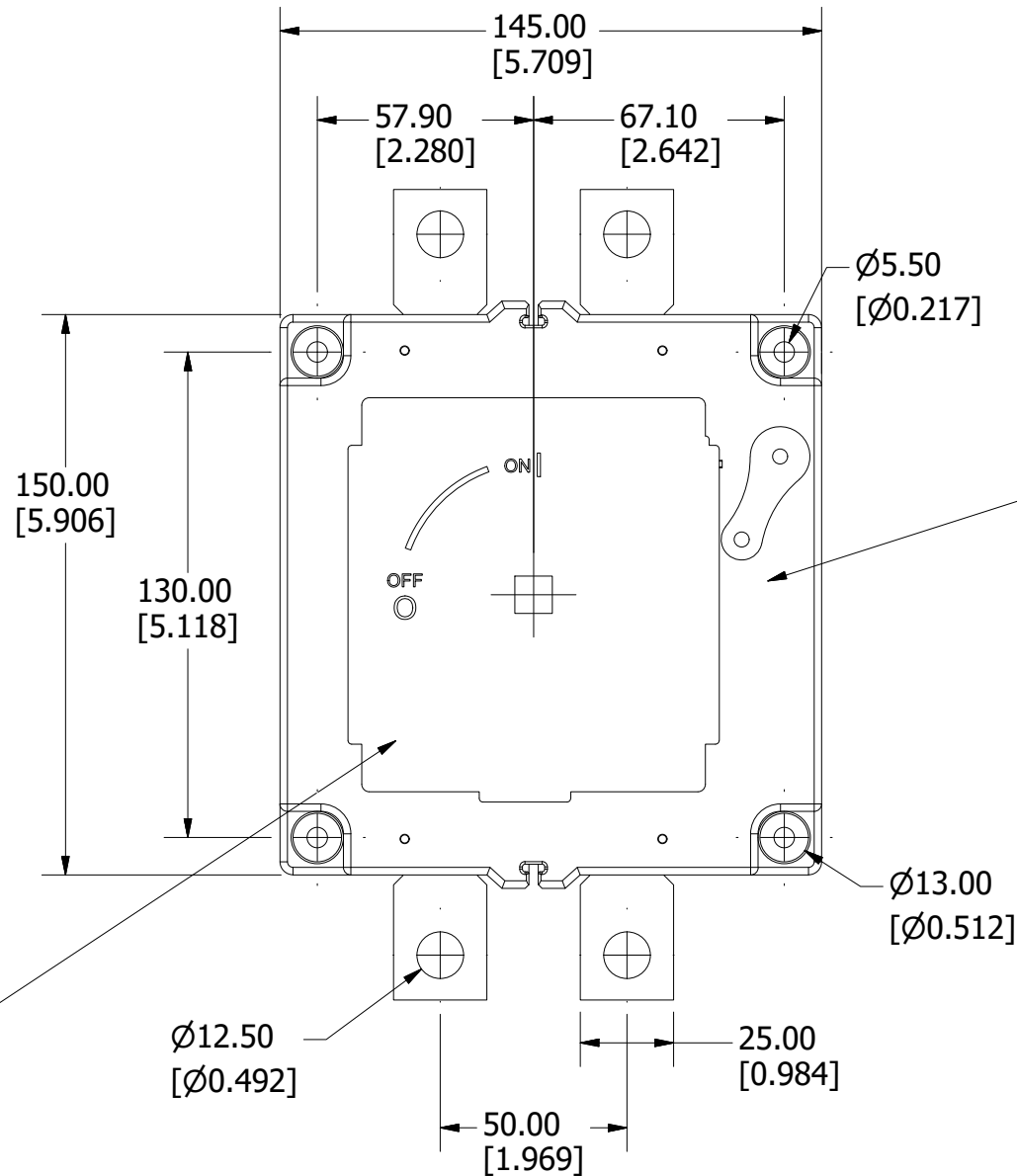
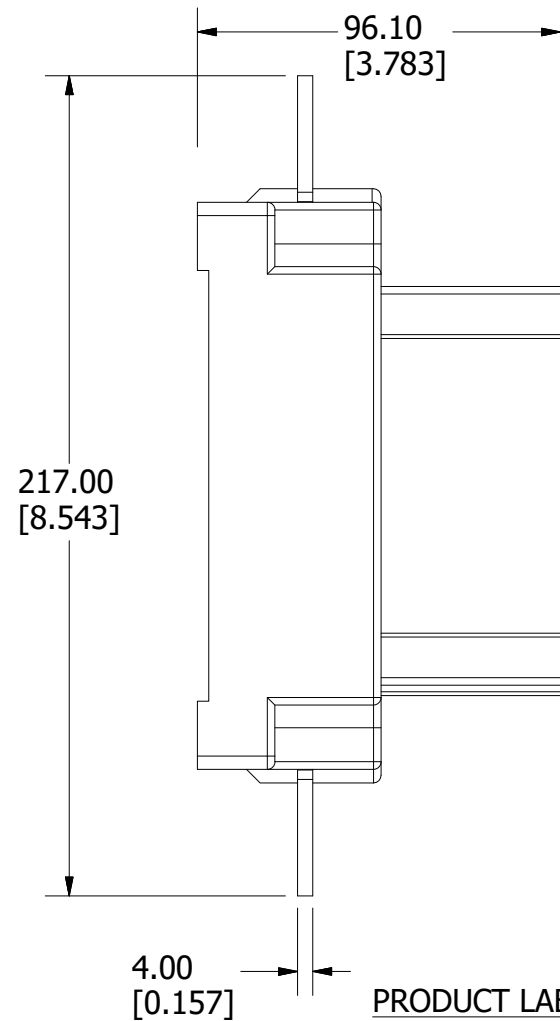


PART NUMBER	UPC CODE
LS602502LS00L	07945826639

REVISION		
REV	DATE	DESCRIPTION
A	4/21/20	522213GCP - RELEASE MRY

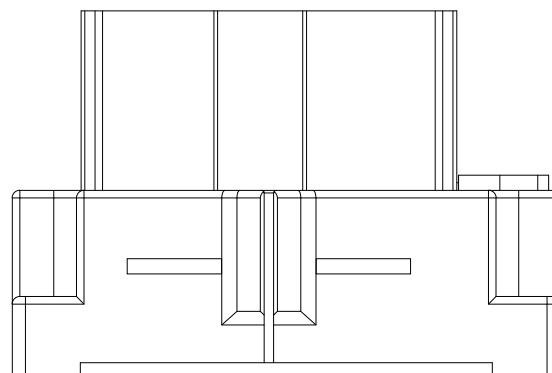


**SPEC LABEL**

Par apriete terminal lugs	
Terminal torque	18 Nxm
Couple de serrage	159 lbf.in
Bois terminales	
Kit terminal lugs	LDRTL11W
Kit de terminaux	
Tipo cable	
Wire type	Cu
Type de câble	
Rango de temperatura	
Temperature rating	75 °C
Intervale de temperaturas	
Fecha de fabricación	
Manufacture date	01/08/20
Date de fabrication	

PRODUCT LABEL

UL LISTED E511898  
MADE IN SPAIN  
LS602502LS00L  
Littelfuse  
CE  
Open Type PV switch  
ON OFF  
LS6  
IEC-60947-3  
Uimp 12 kV  
DC21B-500 V dc-250 A  
Ui 1500 V dc lth 250 A  
Conforms to UL98B. -20 °C to 50 °C. PV disconnect switch. Location category B  
500 V dc 250 A. Short circuit rating: 10 kA. Torque: 159 lbf.in.  
Suitable for use in PV systems in accordance with article 690 of the NEC.  
This switch is suitable for use in a PV system capable of delivering not more than 10 kA, when protected by a PV fuse or PV circuit breaker.



<S>	CRITICAL CHARACTERISTIC FOR PART SAFETY/COMPLIANCE
●	DENOTES CRITICAL CHARACTERISTICS.
CPK	DENOTES CPK DIMENSIONS, -MINIMUM CPK VALUE
⊠	DENOTES A CHARACTERISTIC THAT PROVIDES AN INDICATION OF PROCESS PERFORMANCE. PROCEDURE FOR MEASUREMENT AND TRACKING TO BE DEFINED IN LITTELFUSE INSPECTION INSTRUCTIONS.
CP	DENOTES CP DIMENSIONS, -MINIMUM CP VALUE MUST BE WITHIN THE DIMENSIONAL LIMITATIONS SHOWN ON DRAWING AND INITIALLY LOCATED TO ALLOW FOR MAXIMUM TOOL LIFE.

**B**

MATL SPEC	FINISH		
DRW myork	DATE 11/11/2019	SCALE NTS	FINISH GOOD WT GRAMS/PIECE

UNLESS OTHERWISE SPECIFIED, DIMENSIONS ARE IN MILLIMETERS, DIMENSIONS IN BRACKETS [ ] ARE INCHES DIMENSIONING AND DO NOT INCLUDE PLATING. TOLERANCING TO BE INTERPRETED IN ACCORDANCE WITH ANSI Y14.5M-1994



**TITLE** DISCONNECT SWITCH 250A 500VDC 2 POLE OUTLINE

<b>Littelfuse</b> CHICAGO, ILLINOIS 60631	REVISION A	DRWG NO. OL-LS602502LS00L	SHEET 1 OF 1
--	---------------	------------------------------	--------------