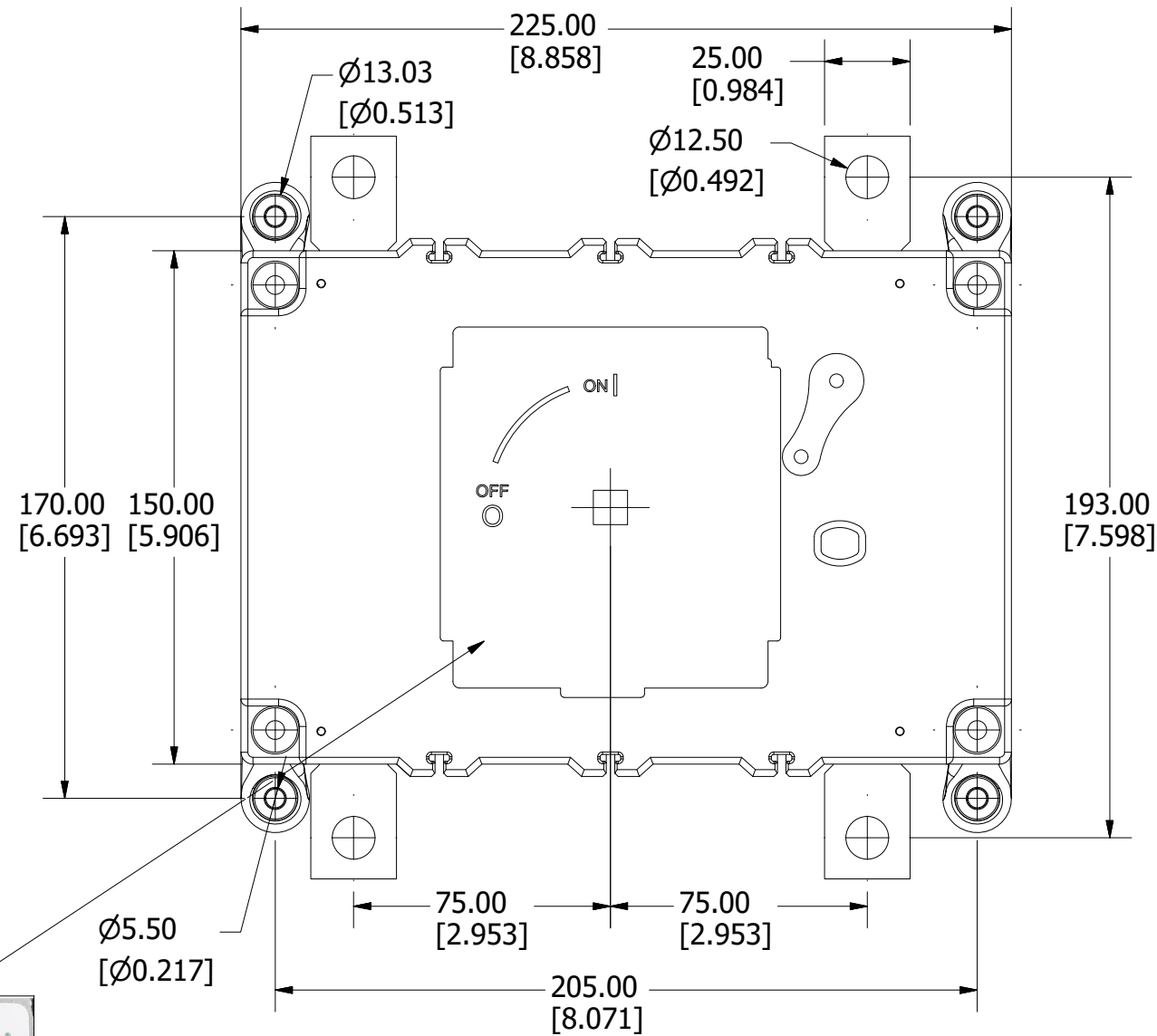
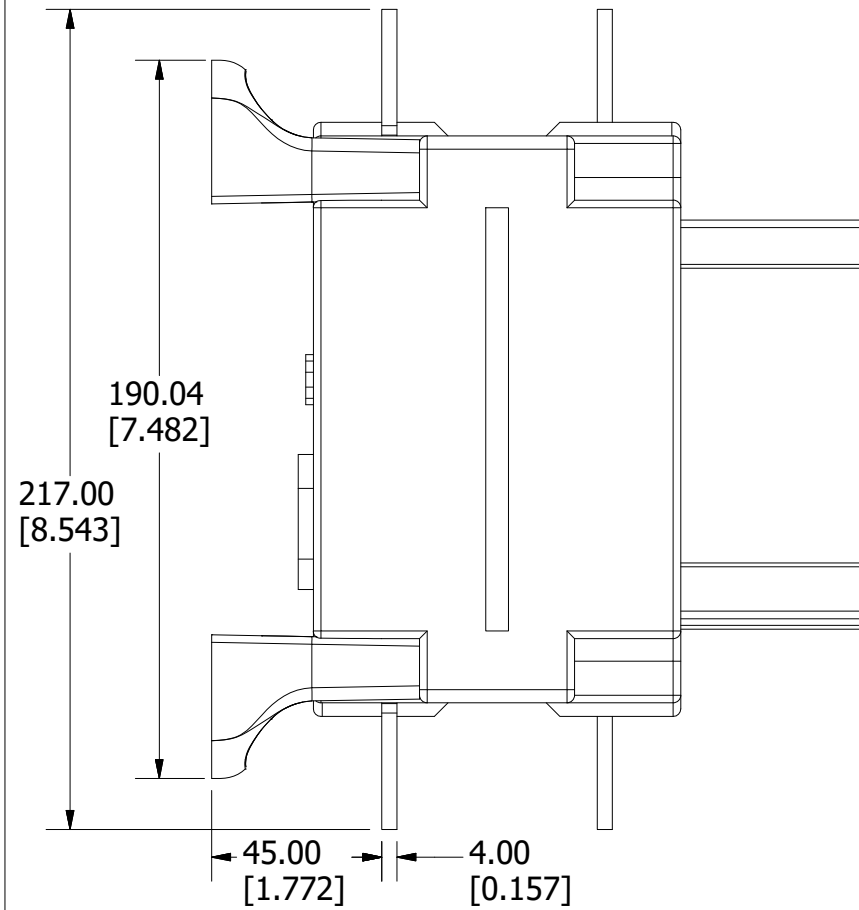
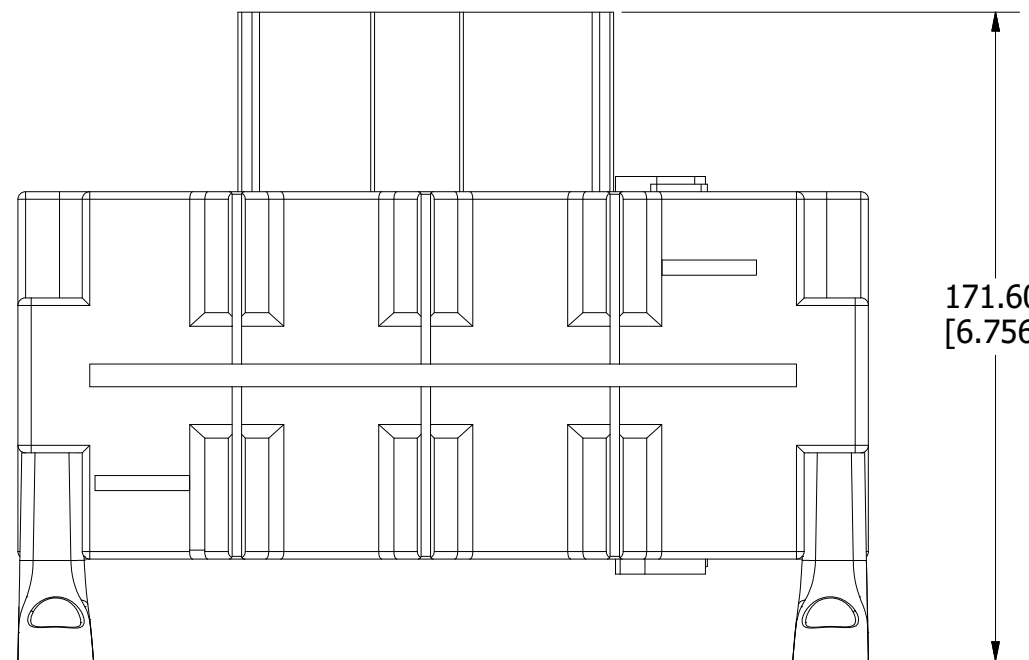


PART NUMBER	UPC CODE
LS6R0250CBS00L	07945826643

REVISION		
REV	DATE	DESCRIPTION
A	4/21/20	522213GCP - RELEASE MRY



PRODUCT LABEL



<S>	CRITICAL CHARACTERISTIC FOR PART SAFETY/COMPLIANCE
●	DENOTES CRITICAL CHARACTERISTICS.
CPK	DENOTES CPK DIMENSIONS, -MINIMUM CPK VALUE
⬡	DENOTES A CHARACTERISTIC THAT PROVIDES AN INDICATION OF PROCESS PERFORMANCE. PROCEDURE FOR MEASUREMENT AND TRACKING TO BE DEFINED IN LITTELFUSE INSPECTION INSTRUCTIONS.
CP	DENOTES CP DIMENSIONS, -MINIMUM CP VALUE MUST BE WITHIN THE DIMENSIONAL LIMITATIONS SHOWN ON DRAWING AND INITIALLY LOCATED TO ALLOW FOR MAXIMUM TOOL LIFE.

B

MATL SPEC	FINISH		
DRW myork	DATE 11/11/2019	SCALE NTS	FINISH GOOD WT GRAMS/PIECE

UNLESS OTHERWISE SPECIFIED, DIMENSIONS ARE IN MILLIMETERS, DIMENSIONS IN BRACKETS [] ARE INCHES DIMENSIONING AND DO NOT INCLUDE PLATING. TOLERANCING TO BE INTERPRETED IN ACCORDANCE WITH ANSI Y14.5M-1994



TITLE	DISCONNECT SWITCH 250A 1500VDC 2 POLE OUTLINE		
-------	---	--	--

CHICAGO, ILLINOIS 60631	REVISION A	DRWG NO. OL-LS6R0250CBS00L	SHEET 1 OF 1
-------------------------	------------	----------------------------	--------------