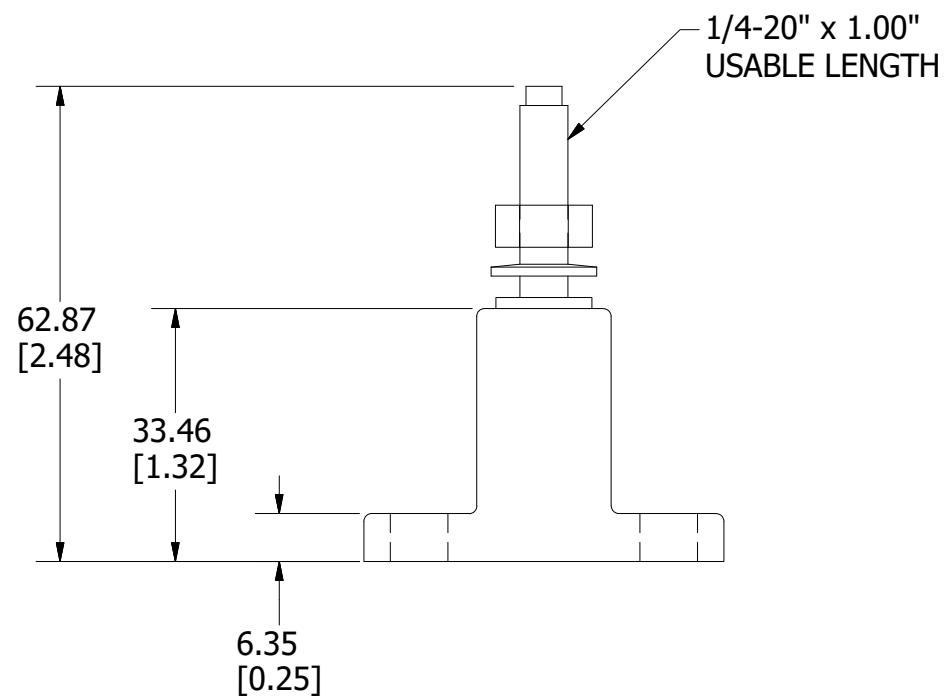
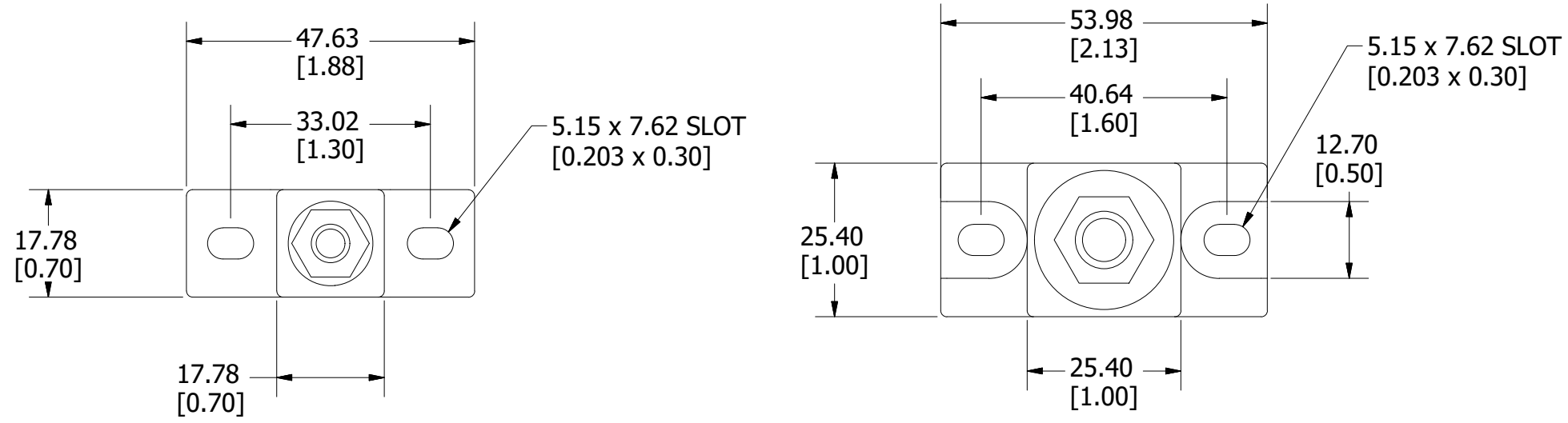
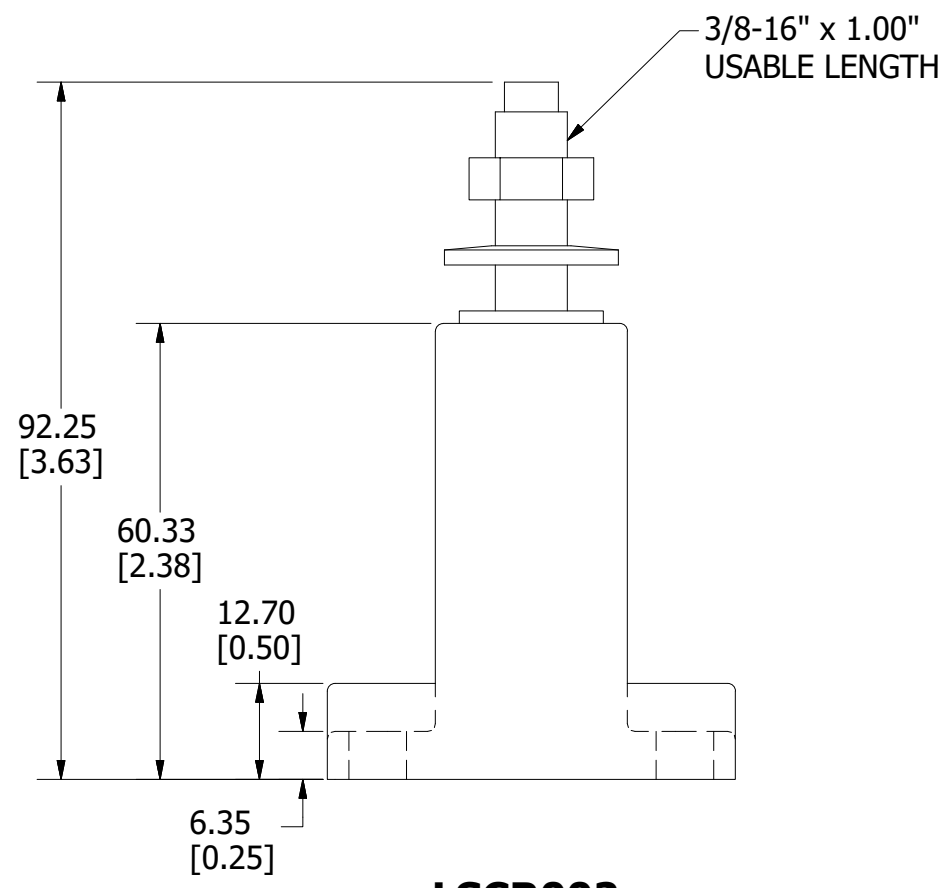


PART NUMBER	AMPERE RATING	SUGGESTED TORQUE
LSCR001	400A	6.8 N-m (61 IN-LBS)
LSCR002	800A	21.6 N-m (192 IN-LBS)

REVISION		
REV	DATE	DESCRIPTION
A	2/17/2015	514064GCP - RELEASE MRY
B	9/20/17	518191ECP/D - REMOVE DATASHEET REVISION REFERENCE MRY
C	9/20/21	524218ECP/D - ADD DC VOLTAGE, UPDATE DC I.R. MRY



LSCR001



LSCR002

SPECIFICATIONS:

VOLTAGE RATING: 700 VAC, 1500 VDC
AMPERE RATING: SEE CHART

INTERRUPT RATING: 200kA AC/ 250kA DC

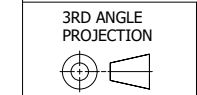
SUGGESTED TORQUE: SEE CHART

APPROVALS: UL RECOGNIZED (FILE NO. E14721)
 CSA CERTIFIED (FILE NO. 73160)

●	DENOTES CRITICAL CHARACTERISTICS.
CPK	DENOTES CPK DIMENSIONS, -MINIMUM CPK VALUE
⊕	DENOTES A CHARACTERISTIC THAT PROVIDES AN INDICATION OF PROCESS PERFORMANCE. PROCEDURE FOR MEASUREMENT AND TRACKING TO BE DEFINED IN LITTELFUSE INSPECTION INSTRUCTIONS.
CP	DENOTES CP DIMENSIONS, -MINIMUM CP VALUE MUST BE WITHIN THE DIMENSIONAL LIMITATIONS SHOWN ON DRAWING AND INITIALLY LOCATED TO ALLOW FOR MAXIMUM TOOL LIFE.

MATL SPEC	FINISH		
DRW MYORK	DATE 2/17/2015	SCALE NTS	FINISH GOOD WT GRAMS/PIECE

UNLESS OTHERWISE SPECIFIED, DIMENSIONS ARE IN MILLIMETERS, DIMENSIONS IN BRACKETS [] ARE INCHES DIMENSIONING AND DO NOT INCLUDE PLATING. TOLERANCING TO BE INTERPRETED IN ACCORDANCE WITH ANSI Y14.5M-1994



TITLE	LSCR SERIES OUTLINE		
--------------	---------------------	--	--