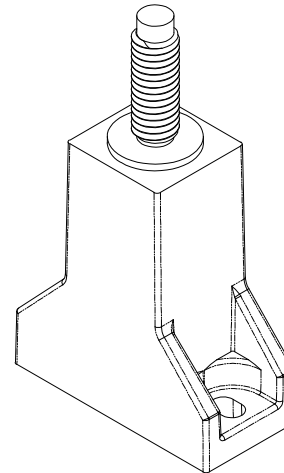
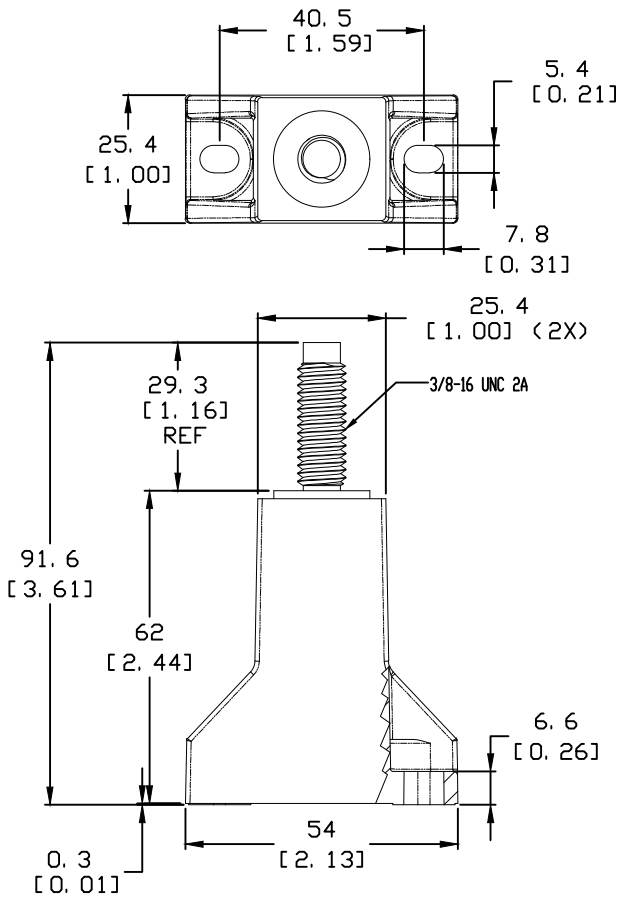


REVISION		
REV	DATE	DESCRIPTION
A	5/17/16	515753GCP - RELEASE PER EM2797 MRY
B	9/2/21	523764ECP/C - UPDATE TORQUE NOTES MRY



**NOTES:**

1. AGENCY INFORMATION:  
UL FILE NO. E14721
  2. COMPLETE ASSEMBLY INCLUDES:  
(1) BASE W/ INSERT MOLDED STUD  
(1) STEEL NUT (BAGGED SEPARATELY)  
(1) STEEL BELLEVILLE WASHER (BAGGED SEPARATELY)
  3. MATERIAL: INSULATION: 35-45% GLASS/MINERAL REINFORCED THERMOPLASTIC  
FLAMMABILITY RATING: V-0 PER UL94  
TEMPERATURE RATING 125°C (257°F) MIN.  
  
HARDWARE (STUD, NUT & WASHER): STEEL, ZINC PLATED
  4. APPLICATION TORQUE: 230 IN LB ± 10%  
PANEL MOUNTING: #10 FASTENER, 12 IN-LB (1.3 N-m) MAX
- TOLERANCE (UNLESS OTHERWISE SPECIFIED):  
1 PLACE ± 2.5mm [0.1]  
2 PLACE ± 0.76mm [0.03]  
3 PLACE ± 0.381mm [0.015]

●	DENOTES CRITICAL CHARACTERISTICS.		
CPK	DENOTES CPK DIMENSIONS, -MINIMUM CPK VALUE		
(ST)	DENOTES A CHARACTERISTIC THAT PROVIDES AN INDICATION OF PROCESS PERFORMANCE. PROCEDURE FOR MEASUREMENT AND TRACKING TO BE DEFINED IN LITTELFUSE INSPECTION INSTRUCTIONS.		
CP	DENOTES CP DIMENSIONS, -MINIMUM CP VALUE MUST BE WITHIN THE DIMENSIONAL LIMITATIONS SHOWN ON DRAWING AND INITIALLY LOCATED TO ALLOW FOR MAXIMUM TOOL LIFE. <b>B</b>		
MATL SPEC		FINISH	
DRW myork	DATE 9/2/2015	SCALE NTS	FINISH GOOD WT GRAMS/PIECE
UNLESS OTHERWISE SPECIFIED, DIMENSIONS ARE IN MILLIMETERS, DIMENSIONS IN BRACKETS [ ] ARE INCHES DIMENSIONING AND DO NOT INCLUDE PLATING. TOLERANCING TO BE INTERPRETED IN ACCORDANCE WITH ANSI Y14.5M-1994			
3RD ANGLE PROJECTION			
TITLE 1000V 800A FUSE HOLDER OUTLINE			
Littelfuse® CHICAGO, ILLINOIS 60631		REVISION B	DRWG NO. OL-LSCR102 SHEET 1 OF 1