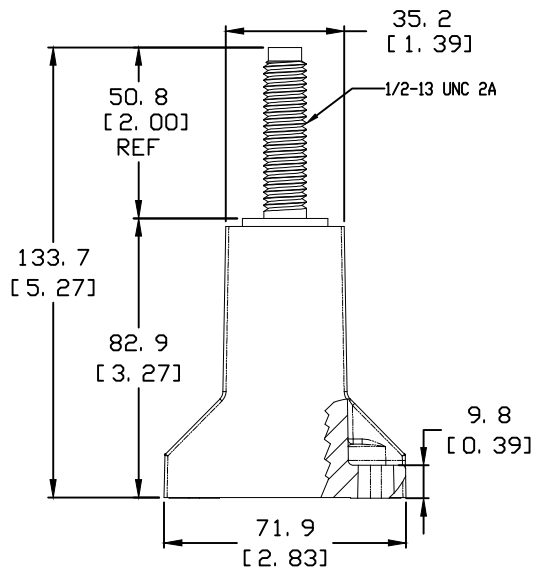
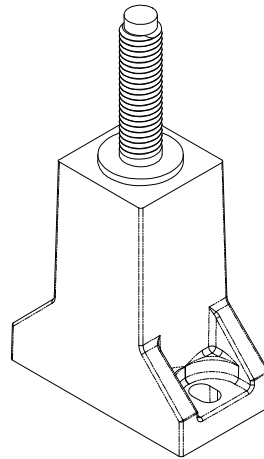
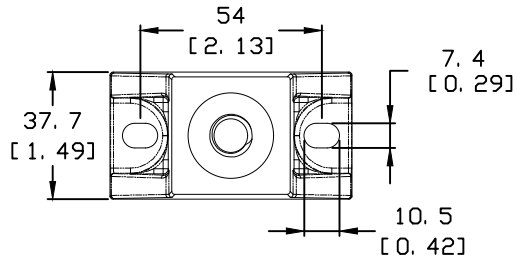


REVISION		
REV	DATE	DESCRIPTION
A	5/17/16	515753GCP - RELEASE PER EM2797 MRY
B	9/2/21	523764ECP/D - UPDATE TORQUE NOTES MRY

NOTES:

- AGENCY INFORMATION:  
UL FILE NO. E14721
  - COMPLETE ASSEMBLY INCLUDES:  
(1) BASE W/ INSERT MOLDED STUD  
(1) STEEL NUT (BAGGED SEPARATELY)  
(1) STEEL BELLEVILLE WASHER (BAGGED SEPARATELY)
  - MATERIAL: INSULATION: 35-45% GLASS/MINERAL REINFORCED THERMOPLASTIC  
FLAMMABILITY RATING V-0 PER UL94  
TEMPERATURE RATING 125°C (257°F) MIN.  
  
HARDWARE (STUD, NUT & WASHER): STEEL, ZINC PLATED
  - APPLICATION TORQUE: 300 IN-LB ± 10%  
PANEL MOUNTING: 1/4 (M6) FASTENER, 12 IN-LB (1.3 N-m) MAX
- TOLERANCE (UNLESS OTHERWISE SPECIFIED):  
 1 PLACE ± 2.5mm [0.1]  
 2 PLACE ± 0.76mm [0.03]  
 3 PLACE ± 0.381mm [0.015]



●	DENOTES CRITICAL CHARACTERISTICS.		
CPK	DENOTES CPK DIMENSIONS, -MINIMUM CPK VALUE		
(ST)	DENOTES A CHARACTERISTIC THAT PROVIDES AN INDICATION OF PROCESS PERFORMANCE. PROCEDURE FOR MEASUREMENT AND TRACKING TO BE DEFINED IN LITTELFUSE INSPECTION INSTRUCTIONS.		
CP	DENOTES CP DIMENSIONS, -MINIMUM CP VALUE MUST BE WITHIN THE DIMENSIONAL LIMITATIONS SHOWN ON DRAWING AND INITIALLY LOCATED TO ALLOW FOR MAXIMUM TOOL LIFE. <span style="float: right; border: 1px solid black; padding: 2px;">B</span>		
MATL SPEC		FINISH	
DRW myork	DATE 9/2/2015	SCALE NTS	FINISH GOOD WT GRAMS/PIECE
UNLESS OTHERWISE SPECIFIED, DIMENSIONS ARE IN MILLIMETERS, DIMENSIONS IN BRACKETS [ ] ARE INCHES DIMENSIONING AND DO NOT INCLUDE PLATING. TOLERANCING TO BE INTERPRETED IN ACCORDANCE WITH ANSI Y14.5M-1994			
3RD ANGLE PROJECTION			
TITLE 1000V 1200A FUSE HOLDER OUTLINE			
 CHICAGO, ILLINOIS 60631		REVISION B	DRWG NO. OL-LSCR103