

THIS DRAWING AND THE INFORMATION CONTAINED WITHIN IT ARE CONFIDENTIAL AND MAY NOT BE COPIED OR DISCLOSED WITHOUT THE WRITTEN PERMISSION OF LITTELFUSE.

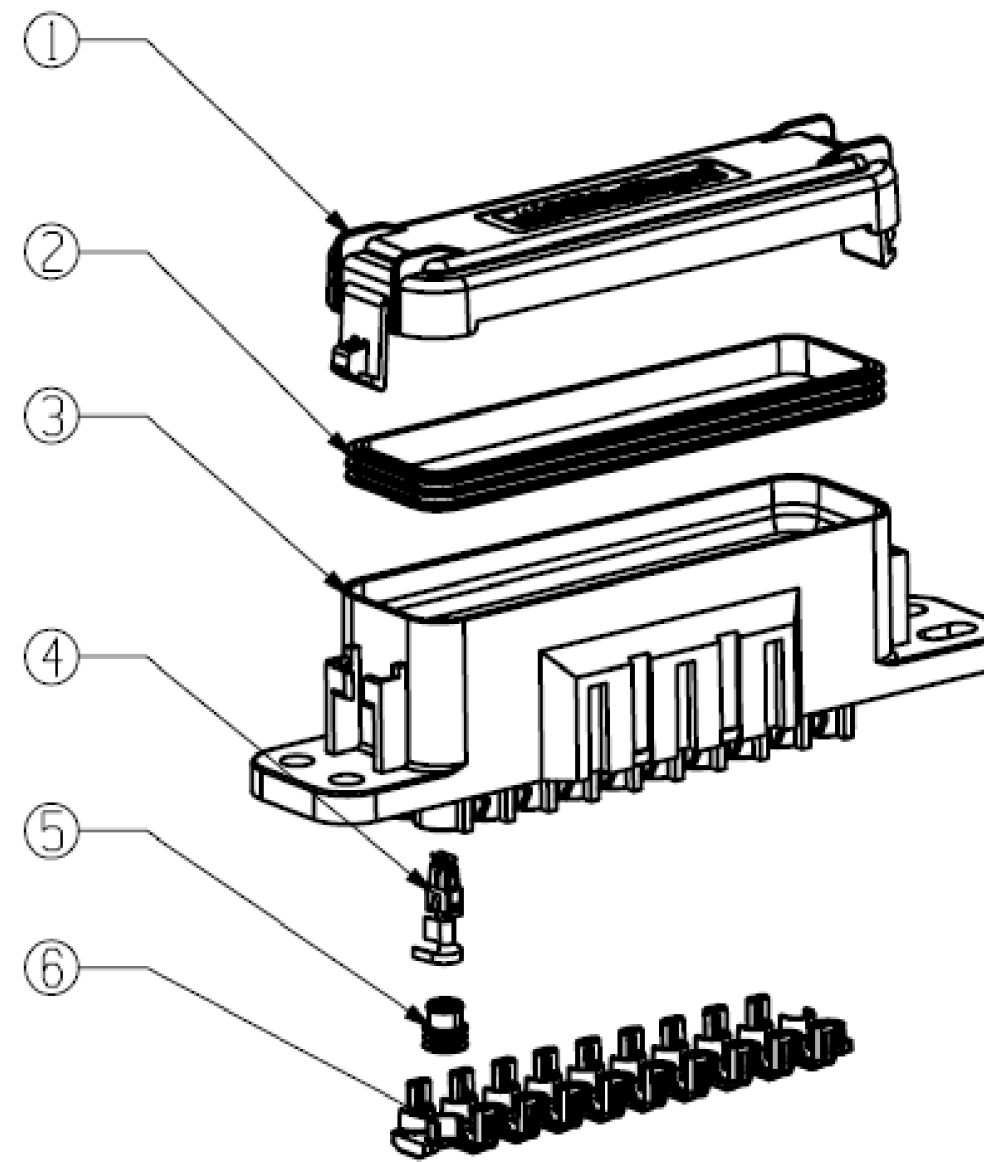
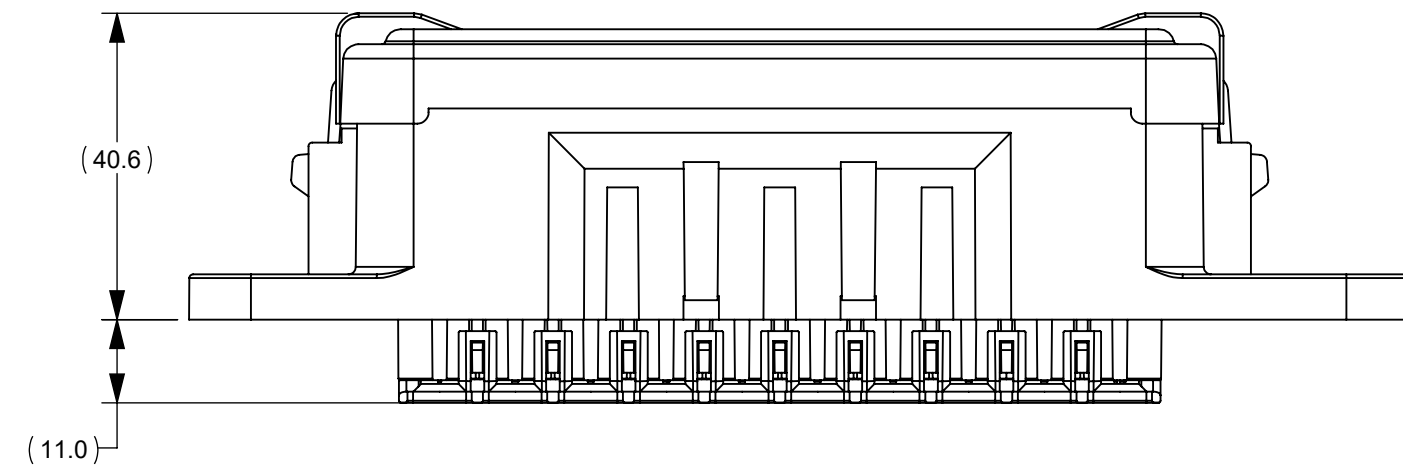
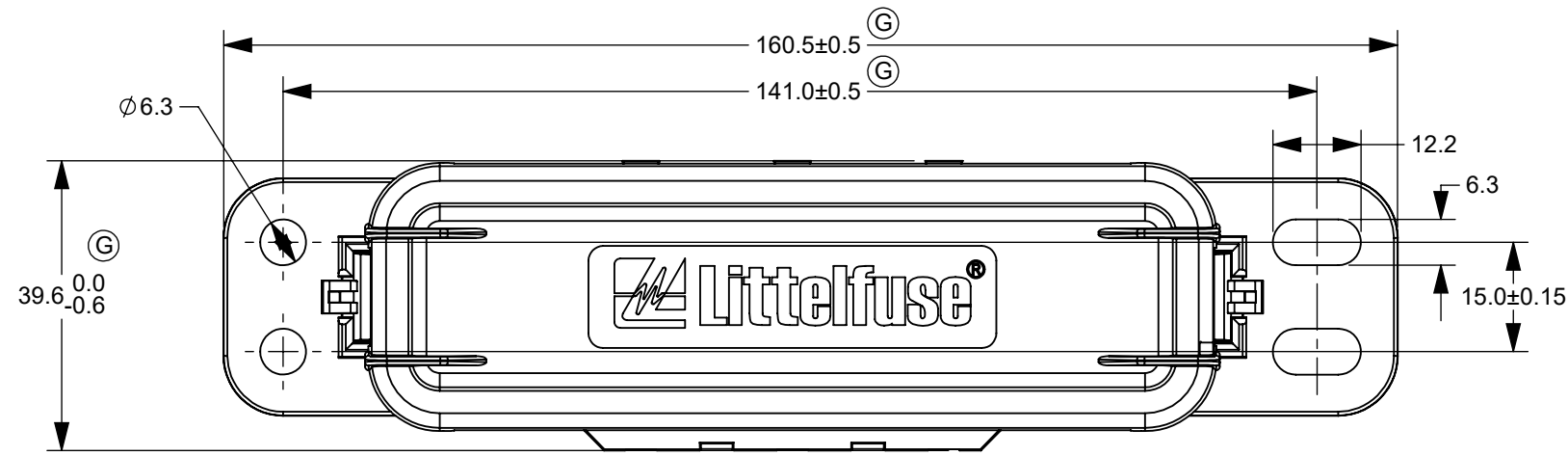
FEMALE TERMINAL FOR ATO FUSE

Cable Seal & terminals not provided by Littelfuse. For reference only

CABLE SIZE mm ²	FEMALE TERMINAL (TYCO STANDARD POWER TIMER)	CABLE DIA.	CABLE SEAL	BLANK CABLE SEAL
0.50 - 1.0	927836	1.4 - 2.1	963243-1/963244-1	100132-1
1.0 - 2.5	927835	2.2 - 3.0	963244-1/963245-1	
2.5 - 4.0	928966	3.4 - 3.7	963245-1	
3.0 - 5.0	1241962-1	4.2	967011-1	

REVISIONS

ZONE	REV.	DESCRIPTION	DATE	APPROVED
	A	5069333ERA NEW RELEASE EJIN	12/07/12	
	B	508954ECA 161.3±0.5 WAS 161.3; 39.6±0.2 WAS 39.8; 142.0±0.3 WAS 142.0±0.25; ADD Ø6.3; 129.3 WAS 128.8; 12.2 WAS 12; CHANGE BASE MATERIAL FROM PA66 30%GF TO PA66 15%GF; CHANGE COVER MATERIAL FROM PA66 TO PA66 15%GF; CHANGE TEMPERATURE RANGE 125 TO 85; CHANGE INPUT CAPABILITY 150 TO 210	07/19/13	
	C	509872ECA CHANGE THE NAME & UPDATE THE NOTES	11/28/13	
	D	510674ECA-CORRECT PART NUMBER OF COVER GASKET FYUE	06/25/14	
	E	515547ECA-CHANGE TYCO TERMINAL 927835 WAS 927837 FYUE	24/Mar/16	
	F	515613ECA-CHANGE MOUNTING TORQUE FYUE	25/Mar/16	
	G	524426ECC-UPDATE DIMENSIONS	24/Nov/21	EJIN



NOTES:

- MATERIAL:
COVER/BASE/TPA: BLACK THERMOPLASTIC-94V0
SEAL: SILICONE RUBBER, GREEN
- TORQUE RATING: 6-8 Nm USING M6 BOLT & LOCK WASHER.
- FUSE RATING: 40A PER CIRCUIT.
- OPERATING & STORAGE TEMPERATURE: -40°C TO 85°C
- IP SEALING CLASS PER IEC60529 IP66 & IP67
- TERMINAL RETENTION PER USCAR 2 SECTION 5.5.1.3 USING TYCO STANDARD POWER TIMER TERMINALS (SEALED).
- TPA RETENTION PER USCAR 2 SECTION 5.4.4.4
- MAX. CONTINUOUS CURRENT: 210A FOR ENTIRE FUSEHOLDER.

6	883-027	TPA		
5	SEE TABLE	SINGLE CABLE SEAL		
4	SEE TABLE	STANDARD POWER TIMER		
3	868-053	HOUSING		
2	901-057	COVER GASKET		
1	873-014	COVER		
NO	COMPONENT NO	DESCRIPTION	QTY/M	U/M

BILL OF MATERIAL

DIMENSIONS ARE SHOWN IN MILLIMETERS. DIMENSIONS AND TOLERANCES ARE DEFINED ACCORDING TO ANSI/ASME Y14.5-1994.

●	FTI/ FUNCTION CRITICAL CHARACTERISTICS
<S>	SAFETY/ COMPLIANCE CRITICAL CHARACTERISTICS SYMBOL
CPK	DENOTES CPK DIMENSIONS MINIMUM CPK VALUE
(ST)	DENOTES A CHARACTERISTIC THAT PROVIDES AN INDICATION OF PROCESS PERFORMANCE PROCEDURE FOR MEASUREMENT AND TRACKING TO BE DEFINED IN LITTELFUSE INSPECTION INSTRUCTIONS
CP	DENOTES CP DIMENSIONS. MINIMUM CP VALUE MUST BE WITHIN THE DIMENSIONAL LIMITATIONS SHOWN ON DRAWING AND INITIALLY LOCATED TO ALLOW FOR MAXIMUM TOOL LIFE

NAME	DATE
DRAWN EJIN	12/18/12
CHECKED FRANK YUE	25/Nov/21

Littelfuse
Expertise Applied | Answers Delivered

FORM NO. CVP-PE40-0005 REV B
THIRD ANGLE PROJECTION

TITLE
HWA20 FUSEHOLDER

SIZE	DWG. NO.	REV.
C	OUTLINE OL-PDM61001ZXM	G

DO NOT SCALE DRAWING SCALE 1:1 SHEET 1 OF 1