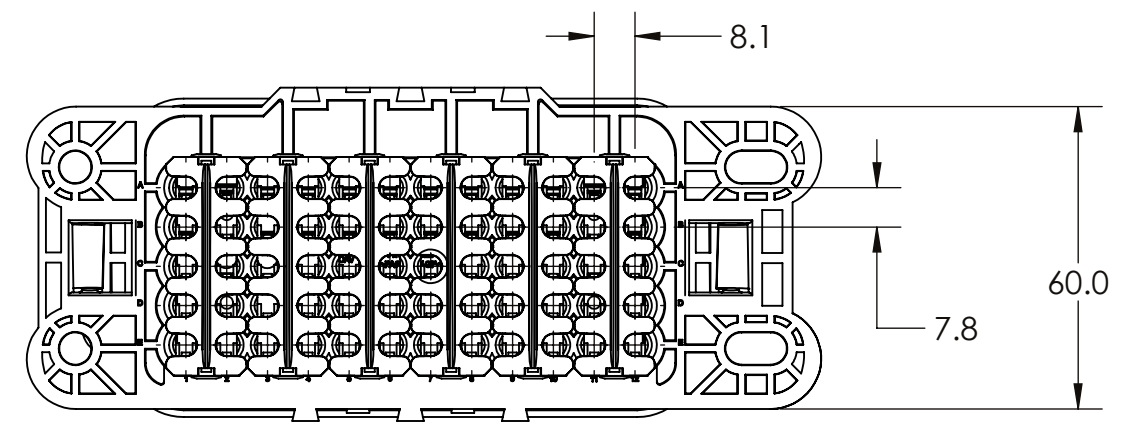
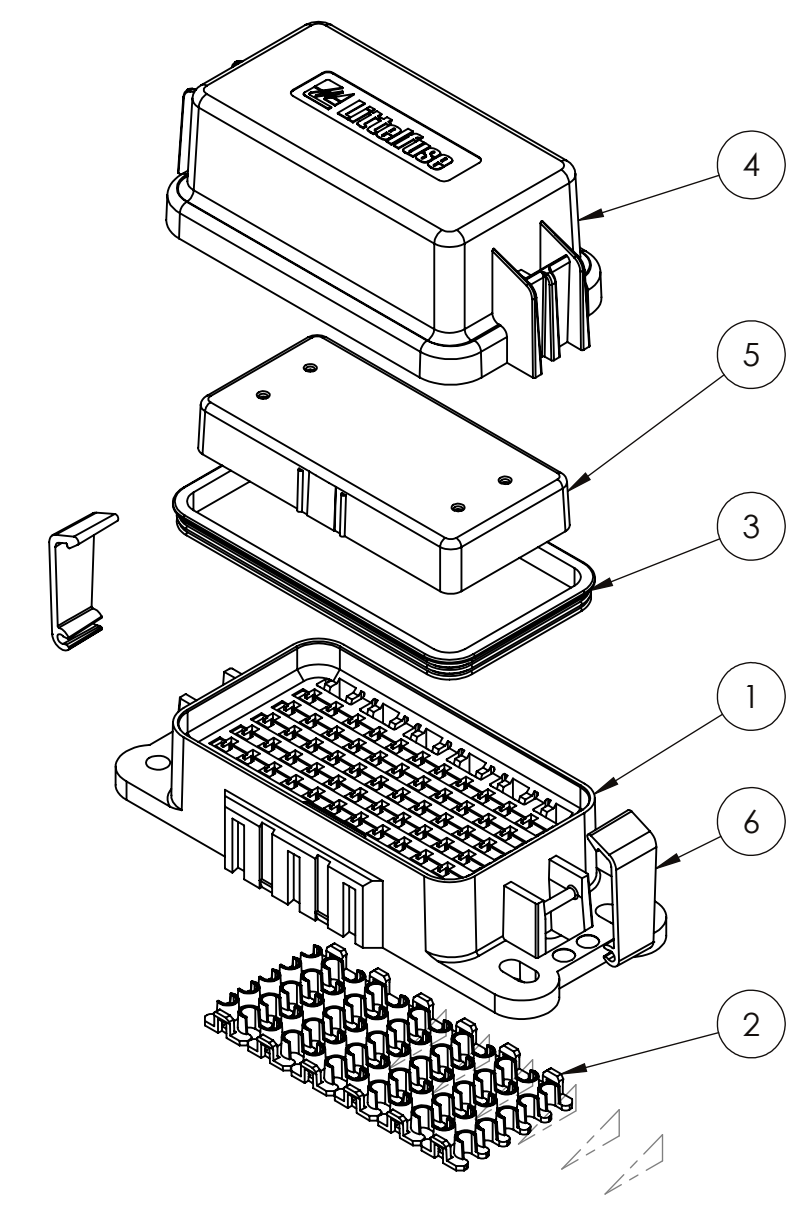
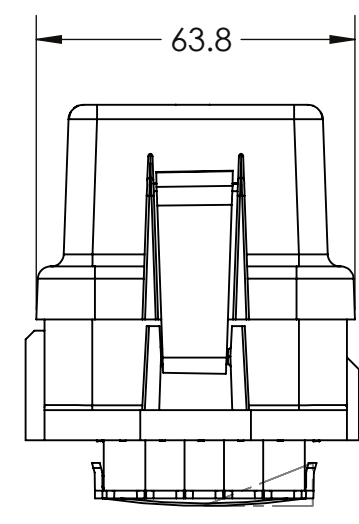
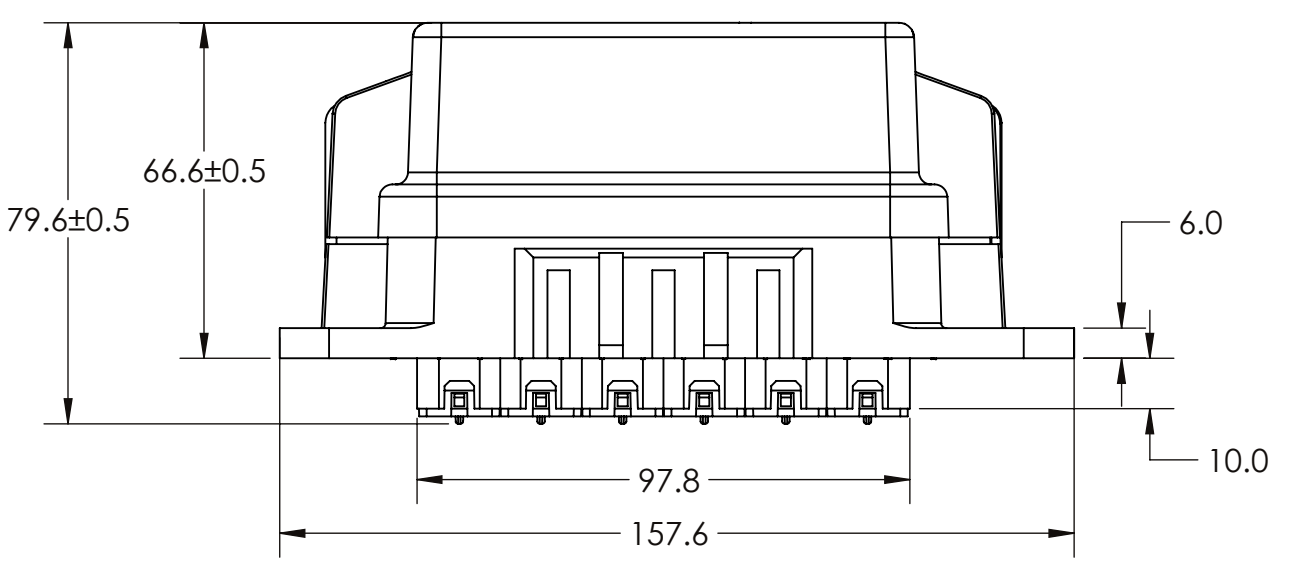
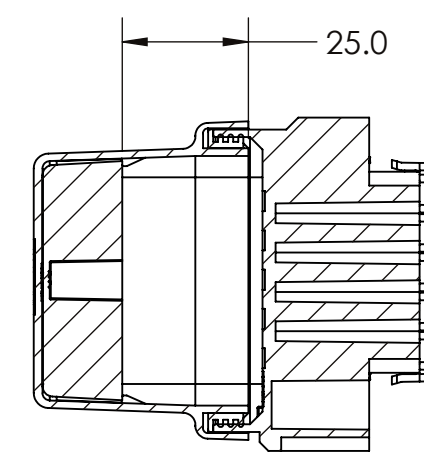
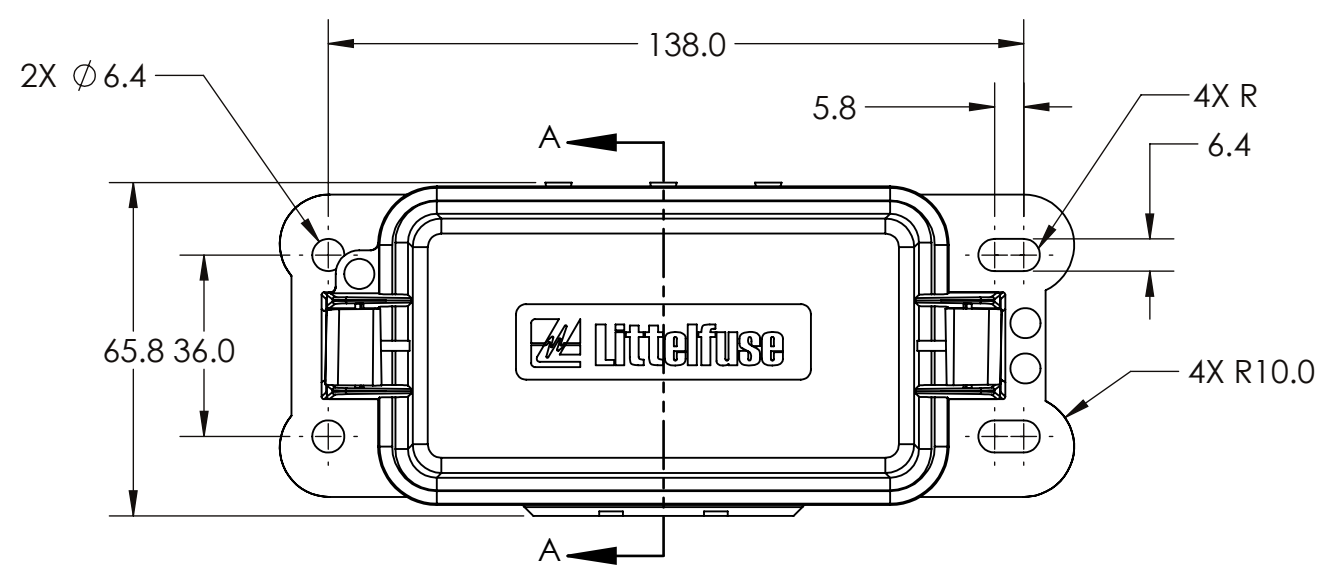


THIS DRAWING AND THE INFORMATION CONTAINED WITHIN IT ARE CONFIDENTIAL AND MAY NOT BE COPIED OR DISCLOSED WITHOUT THE WRITTEN PERMISSION OF LITTELFUSE.

0.35 - 0.5	2084201	1.84 - 2.51	2034365 / 15324983	DARK RED
0.5 - 0.8 - 1.0	2077411	2.03 - 3.12	2089444 / 15324985	PURPLE
1.0 - 2.0	5363933	2.03 - 2.85	2015284 / 15324982	GREEN
2.0 - 3.0	2129493	2.45 - 3.80	2015359 / 15324980	GRAY
3	2077413	3.49 - 3.65	2015360 / 15324981	BLUE
		CAVITY PLUG	12010300	GREEN
CABLE SIZE mm <sup>2</sup>	FEMALE TERMINAL (DELPHI 280 SEALED)	CABLE DIA. (DELPHI 280 METRI - PACK REEL/LOOSE)	CABLE SEAL (DELPHI 280 METRI - PACK REEL/LOOSE)	COLOR
FEMALE TERMINAL FOR MINI FUSE				

REVISIONS				
ZONE	REV.	DESCRIPTION	DATE	APPROVED
	A	ECR 520244 - DRAWING CREATION. E. FLORES	10/05/2022	S. CASTILLO



- 1.- MATERIAL:  
BASE AND COVER: NYLON (BLACK).  
TPA: PA (BLUE).  
SEAL: SILICON RUBBER (GREEN).
- 2.- INSTALLATION TORQUE:  
(ON FLAT SURFACE) 4-6 Nm USING M6 BOLT AND LOCK WASHER.
- 3.- FUSE RATING 30A PER CIRCUIT.
- 4.- TERMINAL RETENTION MUST MEET REQUIREMENTS OF USCAR 2 SECTION 5.4.1.3 USING DELPHI METRI-PACK TERMINALS (SEALED/TANGLES):  
4.1.- TERMINAL INSERTION FORCE: 30N MAX (15N MAX. FOR WIRE SIZE <math>\leq 1\text{mm}^2</math>).  
4.2.- TERMINAL EXTRACTION FORCE: 60N MIN.  
4.3.- TERMINAL EXTRACTION FORCE WITH TPA INSTALLED: 90N MIN.
- 5.- TPA RETENTION MUST MEET REQUIREMENTS OF USCAR 2 SECTION 5.4.5.4:  
INSERTION FORCE: 10-30N.  
EXTRACTION FORCE: 18-60N.
- 6.- 60 TERMINAL OPENINGS.
- 7.- PACKAGING:  
6.1.- PARTS ARE SHIPPED WITH TPA'S AS BULK AND THE BASE WITH COVER, SEAL AND GRID INSTALLED. GRID MUST BE FIXED INTO BOTTOM OF COVER.  
6.2.- RANDOM SAMPLES MUST BE INTERLOCKED WITH TWO OTHER BASE PARTS TO VERIFY STACKABILITY.  
6.3.- ONE BOX CONTAINS:  
6.3.1.- BAG OF 50 ASSEMBLED BASES, COVERS, SEALS AND GRIDS AND 300 TPA'S.  
6.3.2.- TOTAL NUMBER OF ASSEMBLIES PER BOX IS 50.

NO.	COMPONENT NO	DESCRIPTION	QTY./M	U/M
6	883-029	CLIP-ZFB	2	EA
5	901-322	GRID	1	EA
4	873-018	COVER	1	EA
3	901-323	SEAL	1	EA
2	883-083	TPA	6	EA
1	868-055	BASE	1	EA

DIMENSIONS ARE SHOWN IN MILLIMETERS. DIMENSIONS AND TOLERANCES ARE DEFINED ACCORDING TO ANSI/ASME Y14.5-1994.

●	FTI / FUNCTION CRITICAL CHARACTERISTICS
<S>	SAFETY / COMPLIANCE CRITICAL CHARACTERISTICS SYMBOL
CPK	DENOTES CPK DIMENSIONS MINIMUM CPK VALUE
(ST)	DENOTES A CHARACTERISTIC THAT PROVIDES AN INDICATION OF PROCESS PERFORMANCE. PROCEDURE FOR MEASUREMENT AND TRACKING TO BE DEFINED IN LITTELFUSE INSPECTION INSTRUCTIONS
CP	DENOTES CP DIMENSIONS. -MINIMUM CP VALUE MUST BE WITHIN THE DIMENSIONAL LIMITATIONS SHOWN ON DRAWING AND INITIALLY LOCATED TO ALLOW FOR MAXIMUM TOOL LIFE

NAME	DATE	<p><b>Expertise Applied   Answers Delivered</b></p>
DRAWN E. FLORES	05/30/2022	
CHECKED S. CASTILLO	09/12/2022	
FORM NO. CVP-PE40-0005 REV B		TITLE
THIRD ANGLE PROJECTION		HWB60AL FUSE HOLDER W GRID
SIZE C	DWG. NO. OUTLINE	OL-PDM71004ZXM
DO NOT SCALE DRAWING	SCALE 1:5	REV. A
		SHEET 1 OF 1