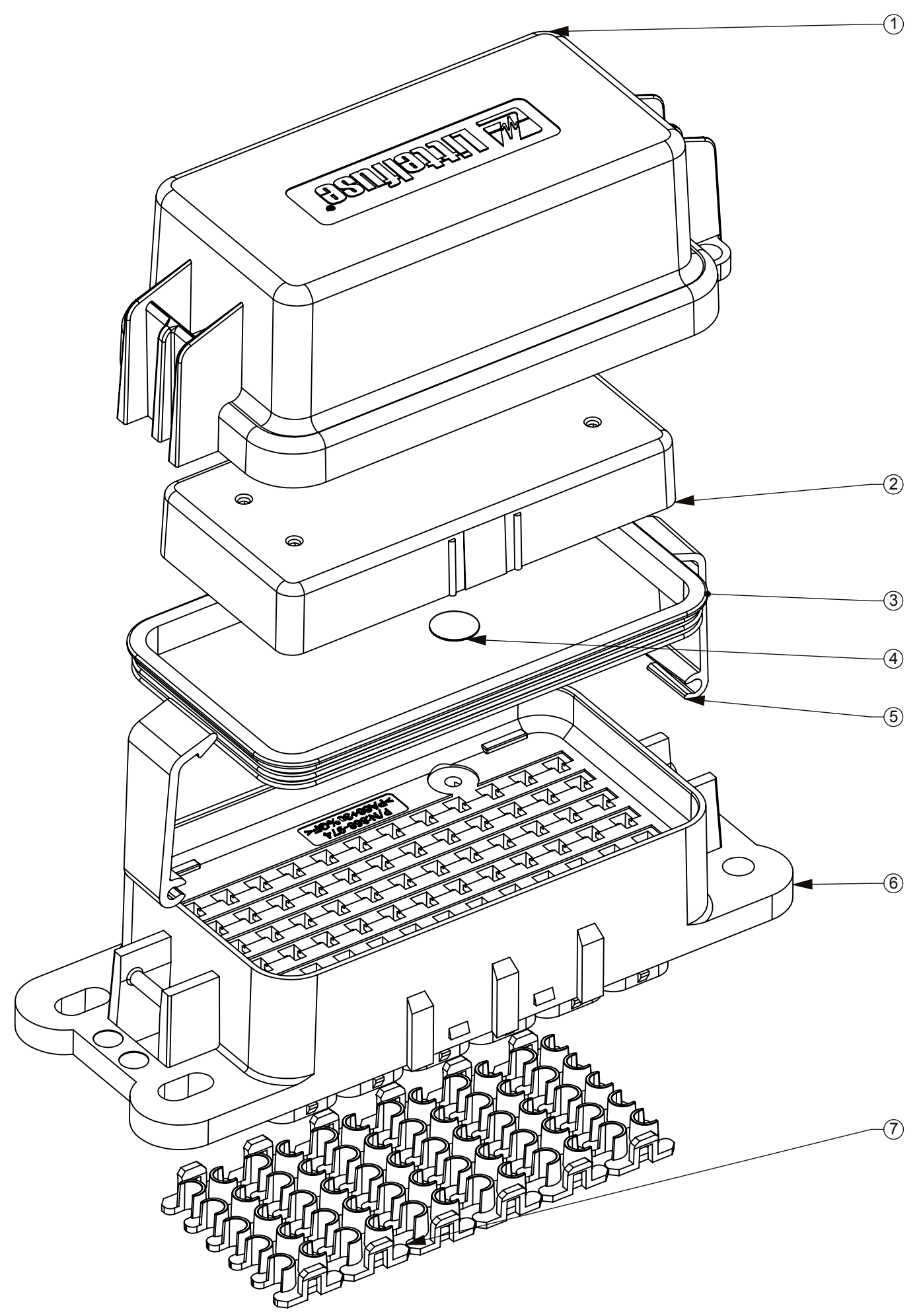
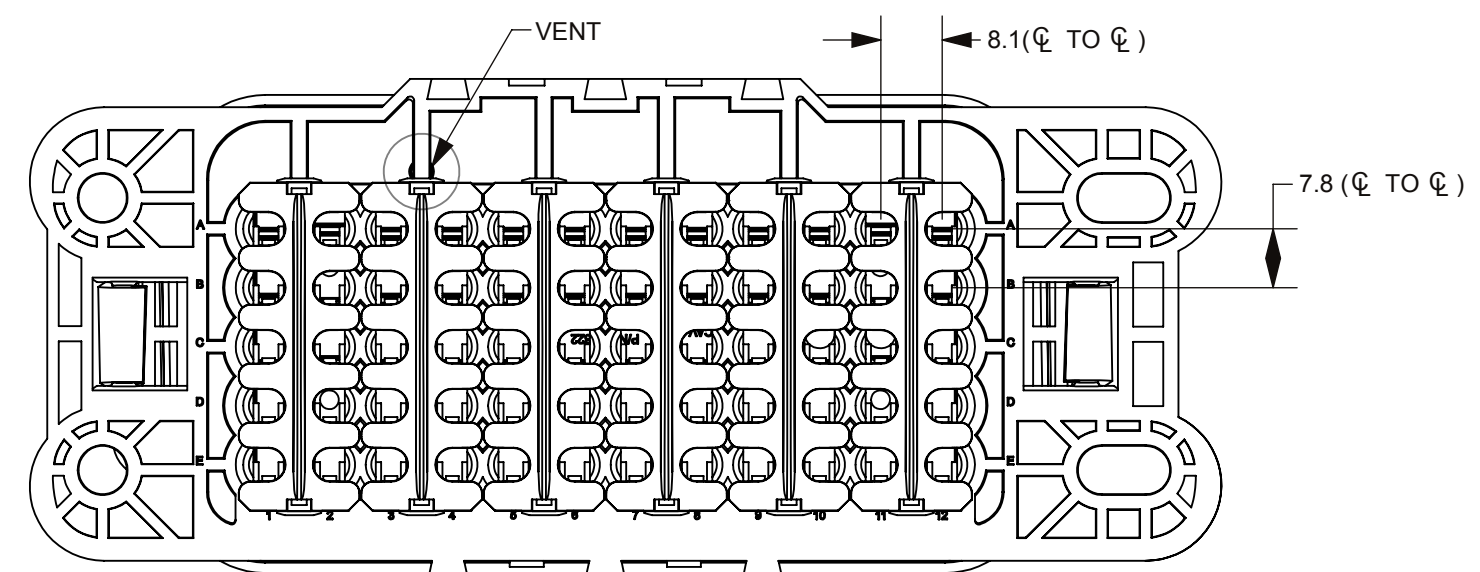
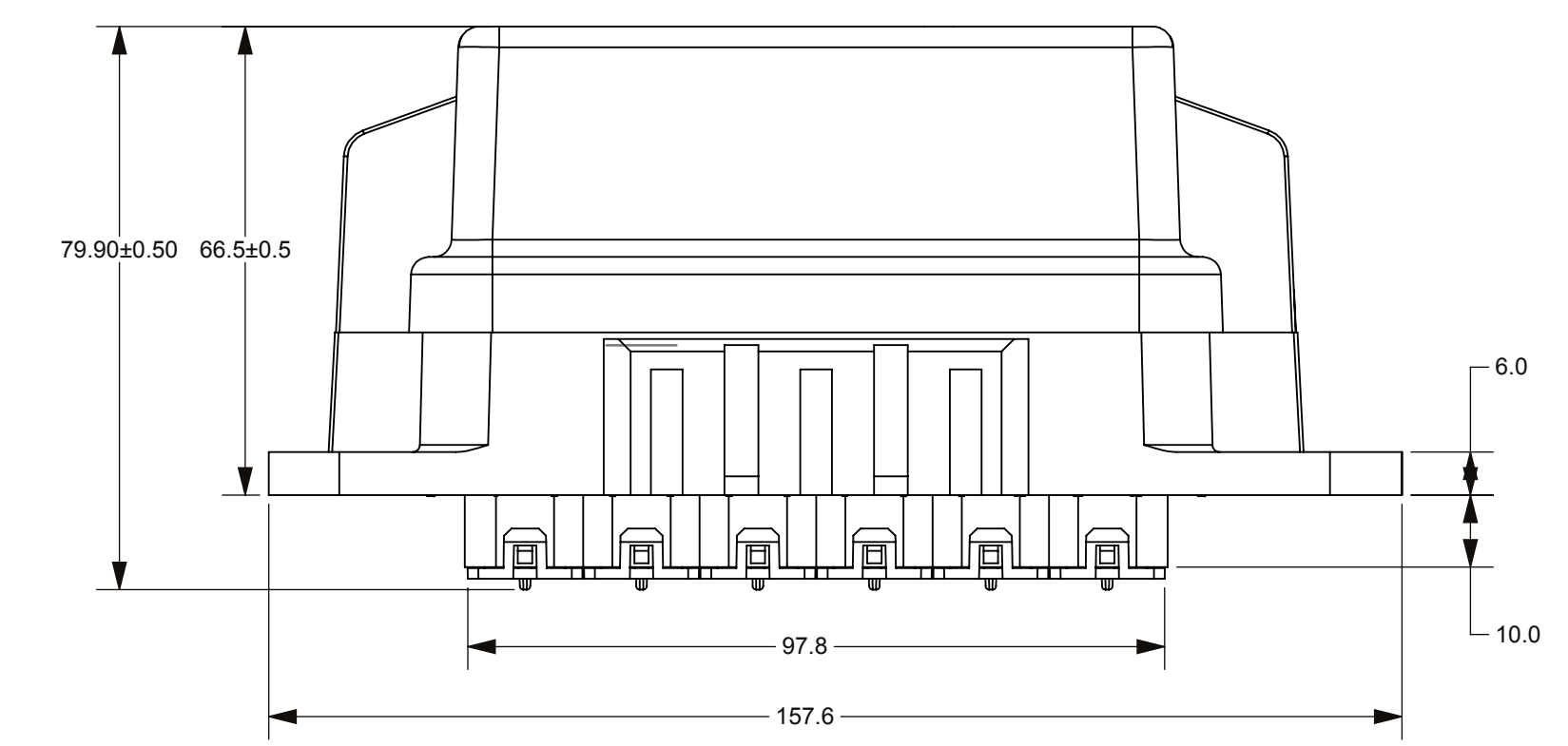
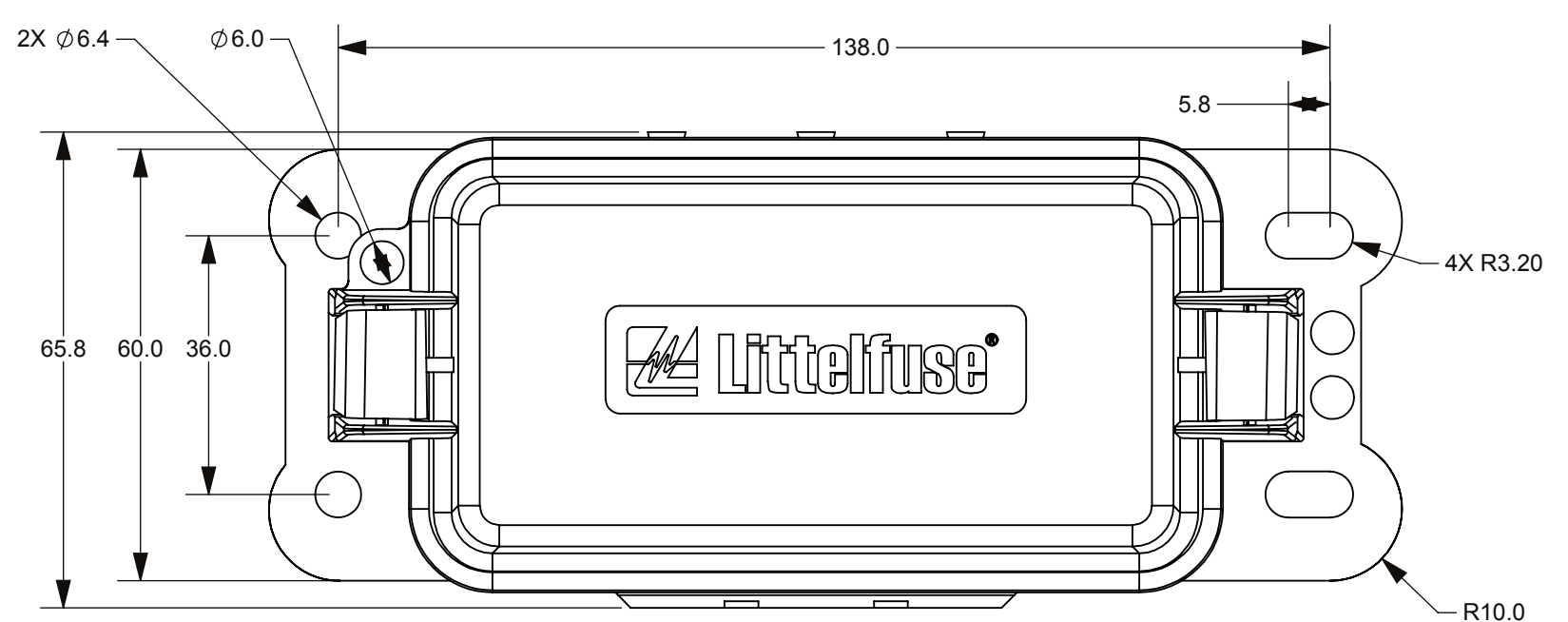


THIS DRAWING AND THE INFORMATION CONTAINED WITHIN IT ARE CONFIDENTIAL AND MAY NOT BE COPIED OR DISCLOSED WITHOUT THE WRITTEN PERMISSION OF LITTELFUSE.

| FEMALE TERMINAL FOR MINI FUSE | | | | |
|-------------------------------|-----------------------------------|----------------|---|----------|
| CABLE SIZE mm ² | FEMALE TERMINAL (DELPHI 280 SEAL) | CABLE DIAMETER | CABLE SEAL (DELPHI 280 METRI-PACK REEL/LOOSE) | COLOR |
| 0.50 - 0.35 | 12084201 | 1.70 - 1.29 | 12034365 / 15324983 | DARK RED |
| 1.0 - 0.50 | 12077411 | 2.15 - 1.60 | 12089444 / 15324985 | PURPLE |
| 2.0 - 1.0 | 15363933 | 2.85 - 2.03 | 12015284 / 15324982 | GREEN |
| 3.0 - 2.0 | 12129493 | 3.49 - 2.81 | 12015359 / 15324980 | GRAY |
| 5.0 | 12077413 | 4.30 - 3.45 | 12015360 / 15324981 | BLUE |
| | | CAVITY PLUG | 12010300 | GREEN |

| REVISIONS | | | | |
|-----------|------|--|------------|----------|
| ZONE | REV. | DESCRIPTION | DATE | APPROVED |
| | A | 518324GCF-NEW RELEASE FOR PERMANENT CORRECTIVE CONTAINMENT (PCA) | 11/30/2017 | A HOANG |



- NOTES:
- MATERIAL:
 BASE & COVER: PA66, 30% GF, BLACK
 TPA: PA, BLUE
 SEAL: SILICONE RUBBER, GREEN
 - TORQUE RATING (ON FLAT SURFACE): 6-8 Nm USING M6 BOLT & LOCK WASHER
 - FUSE RATING: 30A PER CIRCUIT
 - OPERATING & STORAGE TEMPERATURE: -40° C TO 105° C
 - INGRESS PROTECTION (IP) RATING OF THE HWB60 AL WITH GASKET, COVER & BASE PLATE WITH VENT AT ROOM TEMPERATURE IS IP66 & IP67 (IEC60529). IP OF THE HWB60 AL ASSEMBLY AT 70° C (MODULE) TO 25° C WATER TEMPERATURE WHILE THE VENT AREA IS VENTED (BREATH) TO AIR DURING TESTING IS IP68
 - TERMINAL RETENTION PER USCAR 2 SECTION 5.4.1.3 USING PROPER DELPHI METRI-PACK TERMINALS (SEALED / TANGLESS)
 - TPA RETENTION PER USCAR 2 SECTION 5.4.5.2
 - MAXIMUM CONTINUOUS CURRENTS: 250A FOR ENTIRE FUSEHOLDER
 - 60 TERMINAL OPENINGS

| NO. | COMPONENT NO. | COMPONENT NAME | QTY/M | U/M |
|-----|---------------|----------------|-------|-----|
| 1 | 873-018 | COVER | 1 | EA |
| 2 | 901-322 | GRID | 1 | EA |
| 3 | 901-323 | SEAL | 1 | EA |
| 4 | 942-002 | VENT | 1 | EA |
| 5 | 883-029 | CLIP | 2 | EA |
| 6 | 868-974 | BASE WITH VENT | 1 | EA |
| 7 | 883-083 | TPA | 6 | EA |

DIMENSIONS ARE SHOWN IN MILLIMETERS. DIMENSIONS AND TOLERANCES ARE DEFINED ACCORDING TO ANSIS/AE Y14.5-1994.

● FIT FUNCTION CRITICAL CHARACTERISTICS SYMBOL
 <S> SAFETY/ COMPLIANCE CRITICAL CHARACTERISTICS SYMBOL
 CPK DENOTES CPK DIMENSIONS MINIMUM CPK VALUE
 (ST) DENOTES A CHARACTERISTIC THAT PROVIDES AN INDICATION OF PROCESS PERFORMANCE PROCEDURE FOR MEASUREMENT AND TRACKING TO BE DEFINED IN LITTELFUSE INSPECTION INSTRUCTIONS
 CP DENOTES CP DIMENSIONS. MINIMUM CP VALUE MUST BE WITHIN THE DIMENSIONAL LIMITATIONS SHOWN ON DRAWING AND INITIALLY LOCATED TO ALLOW FOR MAXIMUM TOOL LIFE

TOLERANCES UNLESS OTHERWISE SPECIFIED
 ONE PLACE DECIMAL ± 0.5 THREE PLACES DECIMAL ± 0.100
 TWO PLACES DECIMAL ± 0.20 ANGULAR ± 2°

| NAME | DATE |
|-----------------|-------------|
| DRAWN A HOANG | 30 NOV 2017 |
| CHECKED A HOANG | 30 NOV 2017 |

Littelfuse
 Expertise Applied | Answers Delivered

TITLE
 60 WAY HWB60 AL FUSE HOLDER (NAVISTAR)

THIRD ANGLE PROJECTION

DO NOT SCALE DRAWING

SCALE 1:1

DWG. NO. OL-PDM71009ZXM

OUTLINE REV. A

SHEET 1 OF 1