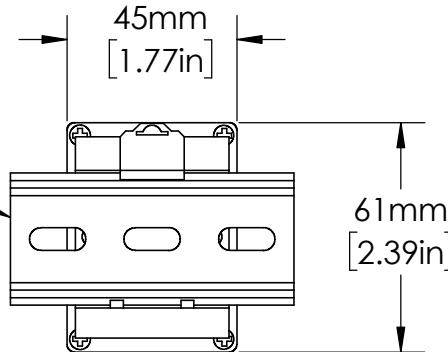


OT08PC  
RELAY SOCKET

35mm  
DIN RAIL



UNLESS NOTED OTHERWISE  
DIMENSIONS ARE IN INCHES  
TOLERANCES:  
TWO PLACE DECIMAL ±0.05  
NOT DRAWN TO SCALE

MATERIAL	
NAME	DATE
DRAWN BY J.MOLER 01/04/23	



DESCRIPTION: PUMP & LIQUID LEVEL CONTROL	
PART NUMBER: PC-XXX-LLC-XX SERIES	REV A
WEIGHT:	SHEET 1 OF 1