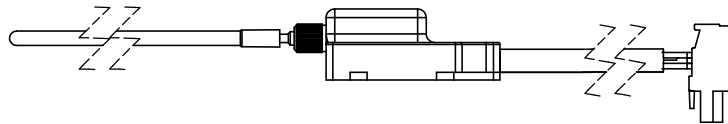
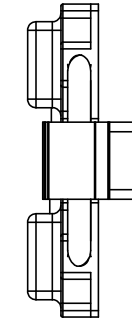
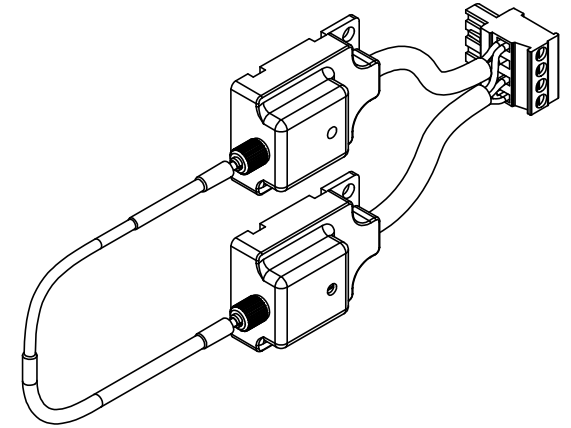
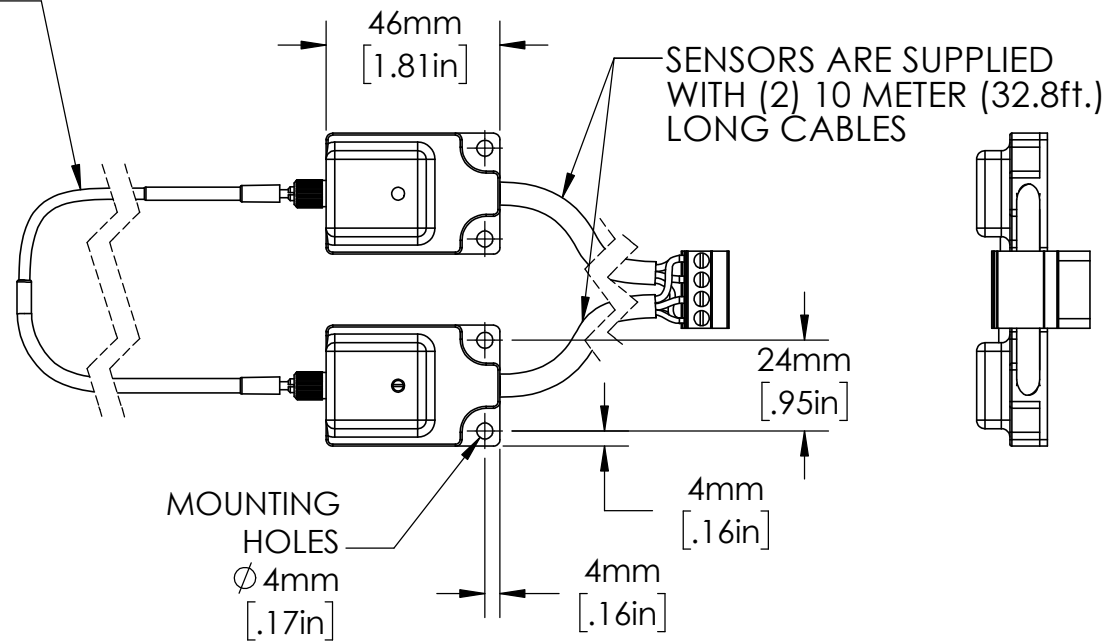
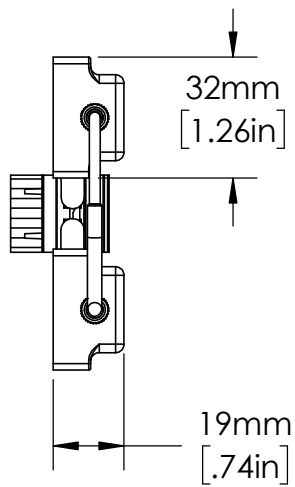


FIBER-OPTIC SENSOR
CABLE APPROXIMATELY
30ft. LONG INCLUDED



UNLESS NOTED OTHERWISE
DIMENSIONS ARE IN INCHES
TOLERANCES:
TWO PLACE DECIMAL ±0.05
NOT DRAWN TO SCALE

| | |
|------------------|----------|
| MATERIAL | |
| NAME | DATE |
| DRAWN BY J.MOLER | 03/31/23 |



DESCRIPTION: ARC FLASH DETECTION
FIBER-OPTIC SENSOR
RELAY ACCESSORY

PART NUMBER: PGA-LS30 SERIES REV A

WEIGHT: SHEET 1 OF 1