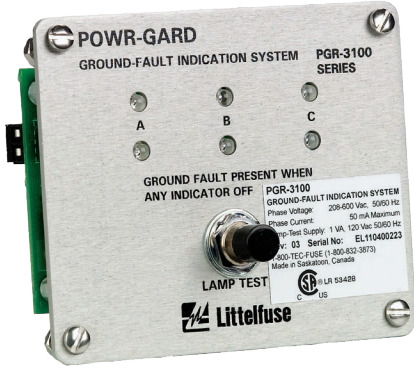


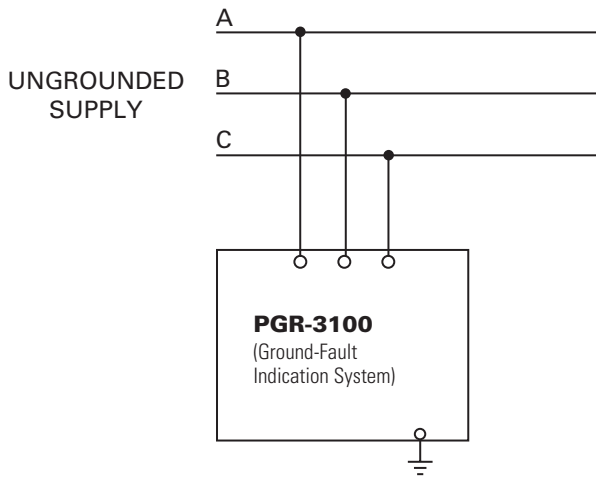
# Protection Relays and Controls

## GROUND-FAULT PROTECTION – UNGROUNDED AC SYSTEMS

### PGR-3100 Series Ground-Fault Indication System



### Simplified Circuit Diagram



### Ordering Information

ORDERING NUMBER	MOUNTING
PGR-3100	Panel mount

### Description

The PGR-3100 indicates the presence of voltage on each phase of a three-phase system. The LEDs on the panel illuminate when voltage is present. When a ground-fault occurs, the voltage on the faulted phase reduces to ground potential, causing the LEDs for the faulted phase to dim and the LEDs for the unfaulted phases to become brighter. Ungrounded ac systems are required by the National Electrical Code (NEC®) Article 250.21(B) and the Canadian Electrical Code Part 1, Section 10-106 (2) to have ground detectors, such as the PGR-3100, installed on the system. External potential transformers (PTs) can be used to step down system voltage, allowing the PGR-3100 to be applied to any system voltage. PTs are not required for system voltages up to 600 V ac.

### Features & Benefits

FEATURES	BENEFITS
<b>NEC® and CE Code compliant</b>	Meets National Electrical Code (NEC) Article 250.21(B) and Canadian Electrical Code Part 1, Section 10-106 (2) requirements for ungrounded systems
<b>Phase LEDs</b>	Indicates presence of a ground fault and the faulted phase as well as phase-to-ground voltage on an energized bus
<b>Redundant LEDs</b>	Redundant long-life LEDs (two per phase) to ensure reliability
<b>Lamp test button</b>	Verifies LEDs are operating

### Specifications

<b>Input Voltage</b>	Up to 600 V ac 50/60 Hz
<b>Indicator Off Voltage</b>	< 30 V ac line to ground
<b>Dimensions</b>	H 88.9 mm (3.5"); W 108 mm (4.3"); D 54 mm (2.1")
<b>Test Button</b>	Local
<b>Approvals</b>	CSA certified, UL Listed
<b>Conformally Coated</b>	Standard feature
<b>Warranty</b>	5 years
<b>Mounting</b>	Panel

Littelfuse reserves the right to make product changes, without notice. Material in this document is as accurate as known at the time of publication. Visit [Littelfuse.com](http://Littelfuse.com) for the most up-to-date information.

**Disclaimer Notice** – Information furnished is believed to be accurate and reliable. However, users should independently evaluate the suitability of and test each product selected for their own applications. Littelfuse products are not designed for, and may not be used in, all applications. Read complete Disclaimer Notice at [www.littelfuse.com/product-disclaimer](http://www.littelfuse.com/product-disclaimer).