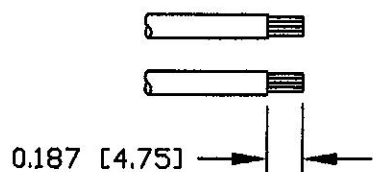


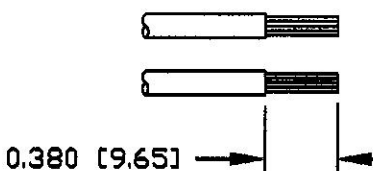
Revision Control Record			
Rev.	Description of Change	ECN No.	Date
W	ADDED PARTS	01330	6/5/01
X	DELETED DETAIL D	04085	2/24/04
Y	PL-118-RC004 NOTE	05126	03/08/05
Z	ADD PL-118-RC022	07021	02/01/07

⊗

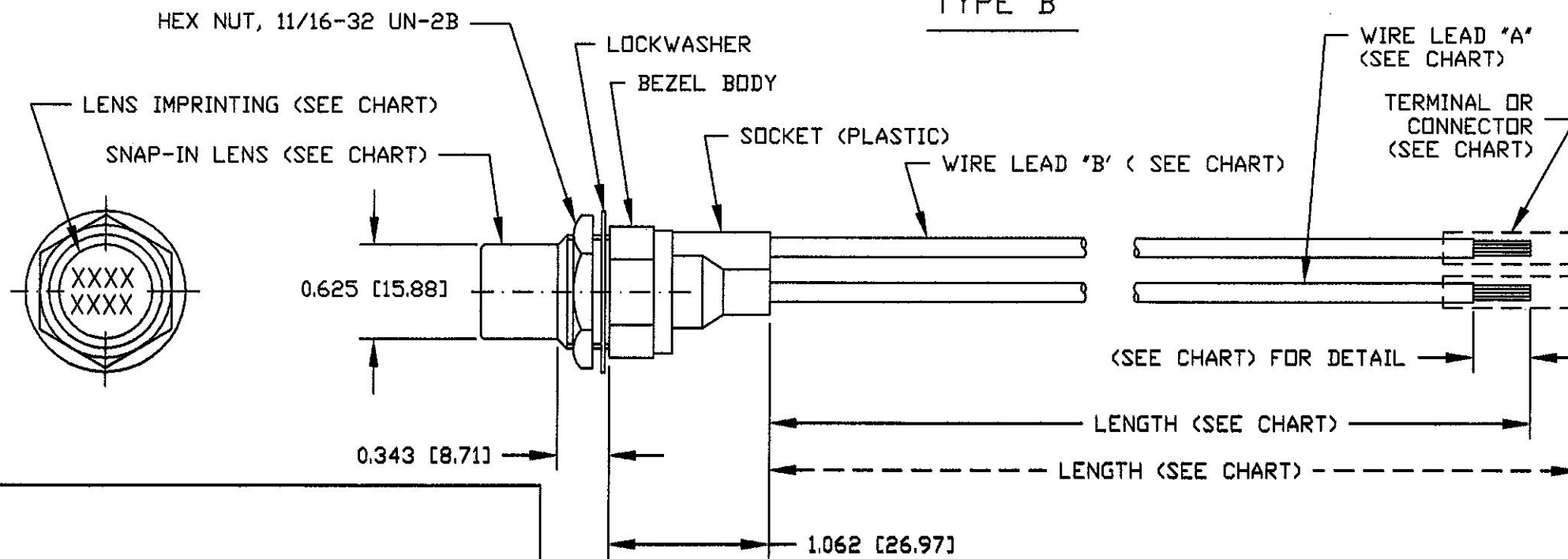
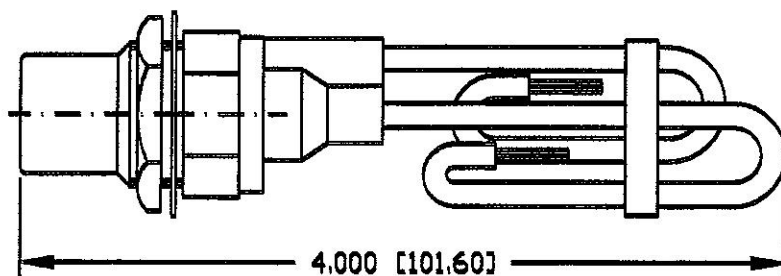
DETAIL C



DETAIL B



DETAIL A



- NOTES:
 1. PART NO. SUFFIX LETTER DENOTES COLOR OF LENS & VOLTAGE
 2. INSULATED
 3. ALL DIMENSIONS REF. ONLY

Tolerances. Unless otherwise specifically noted, the following are default tolerances:
 • 2-place Decimal Dimensions ± 0.02 "
 • 3-place Decimal Dimensions ± 0.005 "
 • Angular Dimensions ± 1.0 Deg.
 • Metric: Refer to equivalent English Dimension Tolerances
 >>> NOTE: All tolerances are Non-Cumulative. <<<

Dimensional Units. All dimensions are expressed in inches except those shown in brackets (xxx) are expressed in millimeters

ASME Y14.5-2009 Non-Toleranced Reference Dimension, shown for clarification purposes only.

PROPRIETARY INFORMATION. This Engineering Drawing, and the information contained herein, is proprietary to Cole Hersee Company and may not be released, re-produced, or in any other way transferred or communicated to any other party without the express written consent of an authorized representative of Cole Hersee Company.

DESIGN CONTROL. It is the responsibility of the individual using/referencing this drawing to ensure that the noted design revision level agrees with the revision level of the Controlled Document (Master Drawing). This is a NON-CONTROLLED DOCUMENT unless otherwise specifically noted.

DO NOT SCALE. Dimensional variation may occur during printing/ reproduction.

Key for Special Characteristics:

- ⊠ Critical Characteristic, relating to Safety and/or Regulatory Compliance
 - X Significant Characteristic relating to Process Control (SPC)
 - ⊕ Control Dimension relating to Form - Fit - Function as defined by Cole Hersee Company and/or the Customer
- (Note that the identification of any Characteristics as being "Special" does not alter the requirement that ALL specified dimensions & tolerances must be met.)

Cole Hersee Co.
 20 Old Colony Ave., South Boston, MA, 02127
 Phone 617-269-2100 Web: www.colehersee.com

Description: **PILOT LIGHT**

Drawing/Part No.: **PL-118**

Current Rev.: **Z**