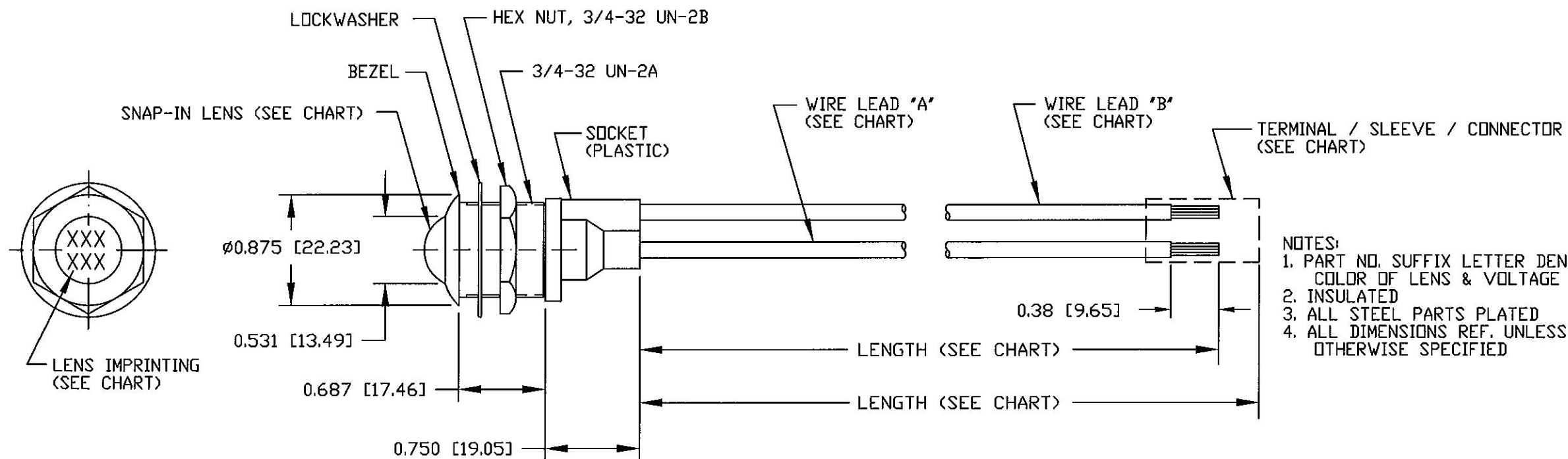


Revision Control Record

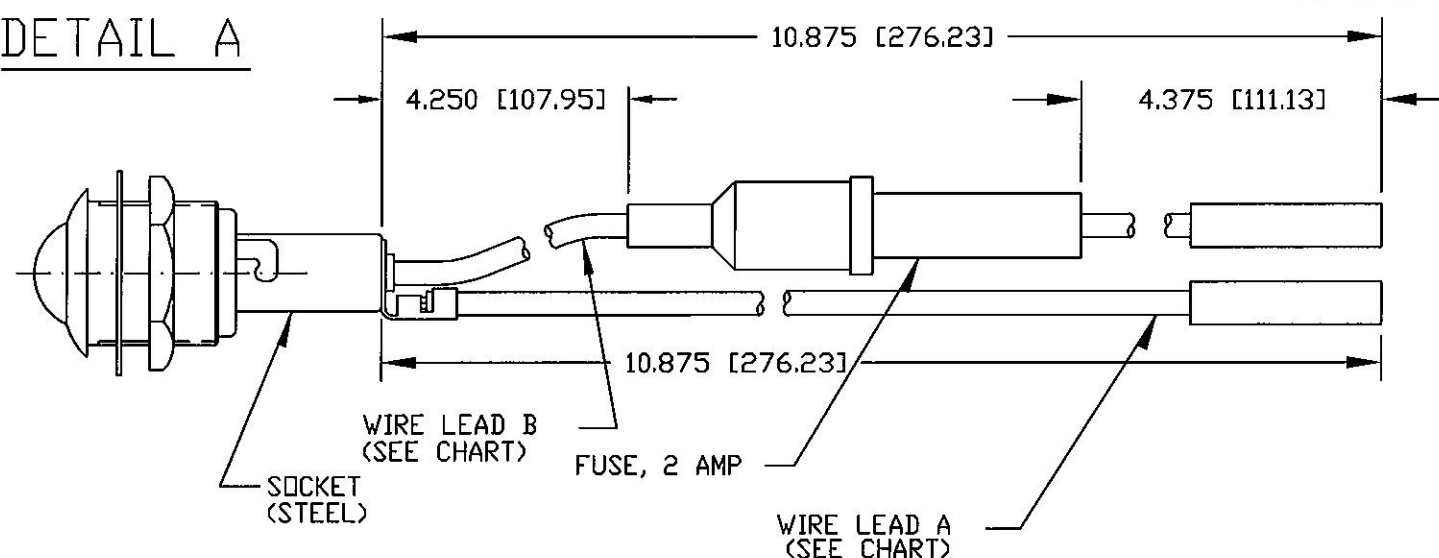
Rev.	Description of Change	ECN No.	Date
AT	IMPRINT NONE	04182	5/17/04
AV	WAS 24GA	06299	09/07/06
AW	ADDED DETAIL C REV'D -AC026	08559	10/16/08
AX	-AC007, -RC026 ADDED DETAIL C	08778	12/11/08



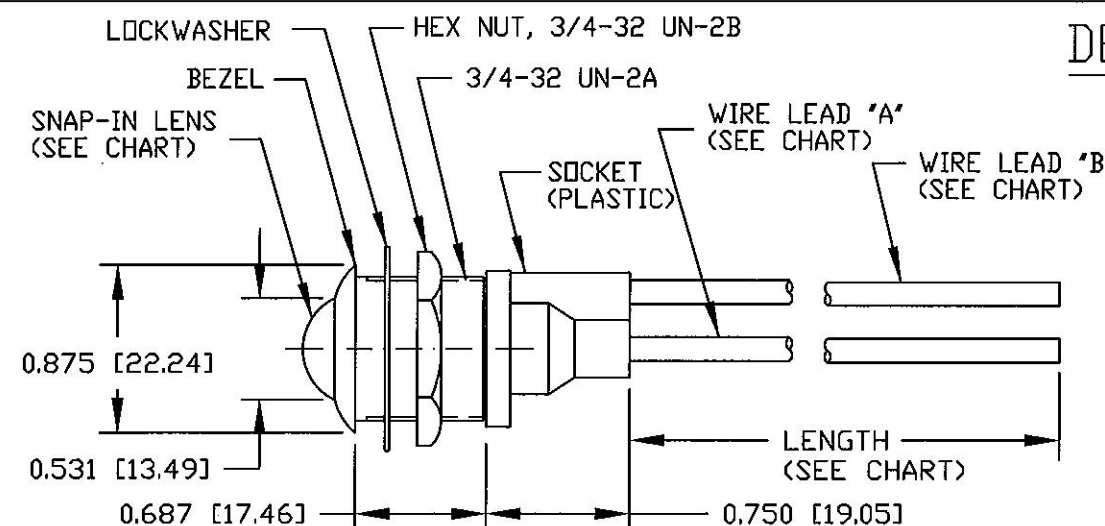
- NOTES:
1. PART NO. SUFFIX LETTER DENOTES COLOR OF LENS & VOLTAGE
2. INSULATED
3. ALL STEEL PARTS PLATED
4. ALL DIMENSIONS REF. UNLESS OTHERWISE SPECIFIED

- ADDITIONAL NOTES:
5. PILOT LIGHT, 2 #30240 BUTT SLICES AND INSTRUCTION SHEET COLE HERSEE #IF-150 (QUALCOMM #80-30176-1) SUPPLIED BY COLE HERSEE PACKED IN #7 CARTON IMPRINTED QUALCOMM CV90-6414-1
6. BEZEL- ALUMINUM, BLACK.
SHIPPED LOOSE:
BEZEL & LENS SA,
SOCKET SA, BULB,
LOCKWASHER & HEX NUT

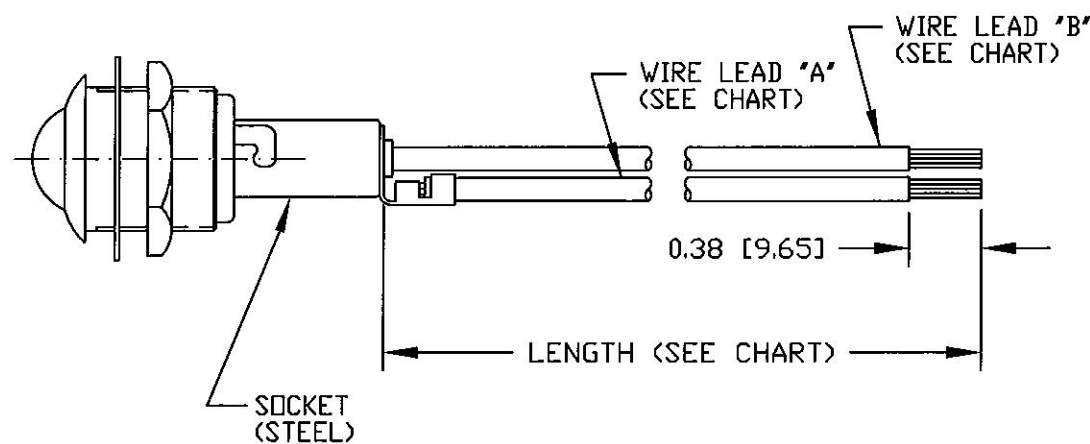
DETAIL A



DETAIL B



DETAIL C



Tolerances Unless otherwise specifically noted, the following are default tolerances:
* 2-place Decimal Dimensions +/- .02"
* 3-place Decimal Dimensions +/- .005"
* Angular Dimensions +/- 1.0 Deg.
* Metric: Refer to equivalent English Dimension Tolerance
>>> NOTE: All tolerances are Non-Cumulative. <<<

Dimensional Units All dimensions are expressed in inches except those shown in brackets (xxx) are expressed in millimeters

"REF." or an Asterisk (*) = Non-Toleranced Reference Dimension, shown for clarification purposes only.

PROPRIETARY INFORMATION This Engineering Drawing, and the information contained herein, is proprietary to Cole Hersee Company and may not be disclosed, re-produced, or in any other way transferred or communicated to any other party without the express written consent of an authorized representative of Cole Hersee Company.

DESIGN CONTROL It is the responsibility of the individual using/referencing this drawing to assure that the noted design revision level agrees with the revision level of the Controlled Document (Master Drawing). This is a NON-CONTROLLED DOCUMENT unless otherwise specifically noted.

DO NOT SCALE - Dimensional variation may occur during printing/ reproduction.

Key for Special Characteristics:

- CC Critical Characteristic, relating to Safety and/or Regulatory Compliance
- X Significant Characteristic relating to Process Control (SPC)
- CD Control Dimension relating to Form - Fit - Function as defined by Cole Hersee Company and/or the Customer

(Note that the Identification of any Characteristics as being "Special" does not alter the requirement that ALL specified dimensions & tolerances must be met.)

Cole Hersee Co.
20 Old Colony Ave., South Boston, MA, 02127
Phn: 617-268-2100 Web: www.colehersee.com

Description: **PILOT LIGHT**

Drawing / Part No.: **PL-20**

Current Rev. **AX**

Used On or Ref.:

Scale: **1:1**

Drawn By: **EA**

Date Drawn: **07/05/50**

Responsible Engineer: **N/A**

Pg. **1**