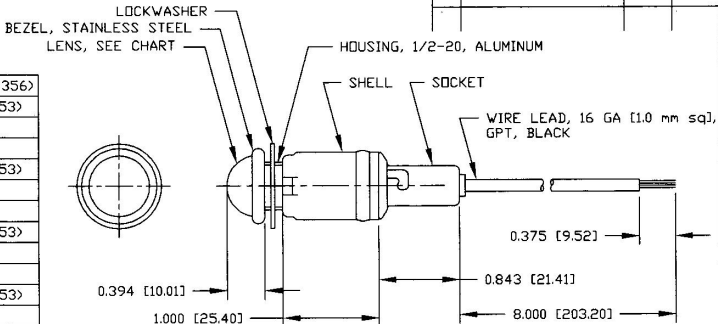


### Revision Control Record

Rev.	Description of Change	ECN No.	Date
P	REVISED DRAWING	03641	12/04/03
R	CHANGE NOTE 3	04329	09/15/04



**NOTES:**

1. ALL STEEL PARTS PLATED
2. ALL DIMENSIONS ARE REFERENCE ONLY
- ③ 3. SOCKET ACCEPTS BA9 BASE BULB (MINIATURE BAYONET BULB)

PL-35-RD000	RED	24V (356)
PL-35-RC000	RED	12V (53)
PL-35-RA000	RED	
PL-35-GC000	GREEN	12V (53)
PL-35-GA000	GREEN	
PL-35-CC000	CLEAR	12V (53)
PL-35-CA000	CLEAR	
PL-35-BC000	BLUE	12V (53)
PL-35-BA000	BLUE	
PL-35-AC000	AMBER	12V (53)
PL-35-AA000	AMBER	
PT NO	LENS COLOR	BULB

**Tolerances.** Unless otherwise specifically noted, the following are default tolerances:

- \* Replace Decimal Dimensions  $\pm .02"$
- \* Replace Decimal Dimensions  $\pm .005"$
- \* Angular Dimensions  $\pm 1.0$  Deg.
- \* Metric: Refer to equivalent English Dimension Tolerance
- >>> NOTE: All tolerances are Non-Contactive. <<<

**Dimensional Units.** All dimensions are expressed in inches except those shown in brackets (xxx) are expressed in millimeters

"REF." or an Absolut. C. = Non-Tolerance Reference Dimension, shown for clarification purposes only.

**PROPRIETARY INFORMATION.** This Engineering Drawing, and the information contained herein, is proprietary to Cole Hersee Company and may not be disclosed, re-produced, or in any other way transferred or communicated to any other party without the express written consent of an authorized representative of Cole Hersee Company.

**DESIGN CONTROL.** It is the responsibility of the individual using / referencing this drawing to assure that the noted design revision level agrees with the revision level of the Controlled Document (Master Drawing). This is a NON-CONTROLLED document unless otherwise specifically noted.

**DO NOT SCALE.** Dimensional variation may occur during printing / reproduction.

**Special Characteristics:**

- ⊠ Critical Characteristic, relating to Safety and/or Regulatory Compliance
- X Significant Characteristic relating to Process Control (SPC)
- Ⓞ Key Characteristic relating to Form - Fit - Function as defined by Cole Hersee Company and/or the Customer

(Note that the identification of any Characteristics as being "Special" does not alter the requirement that ALL specified dimensions & tolerances must be met.)

**Cole Hersee Co.**

20 Old Colony Ave., South Boston, MA, 02127  
Phn: 617-268-2100 Web: www.colehersee.com

Description:

**PILOT LIGHT**

Drawing / Part No:

**PL-35 SERIES**

Current Rev.

**R**

Used On or Ref:

Scale: **1:1**

Drawn By: **EA**

Date: **12/18/53**  
Drawn:

Responsible Engineer: **NA**

Pg. 1 of 1