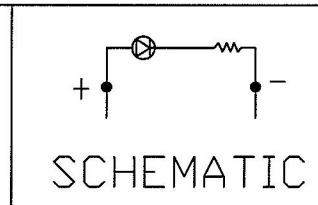
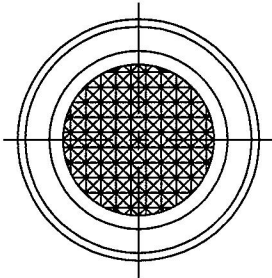
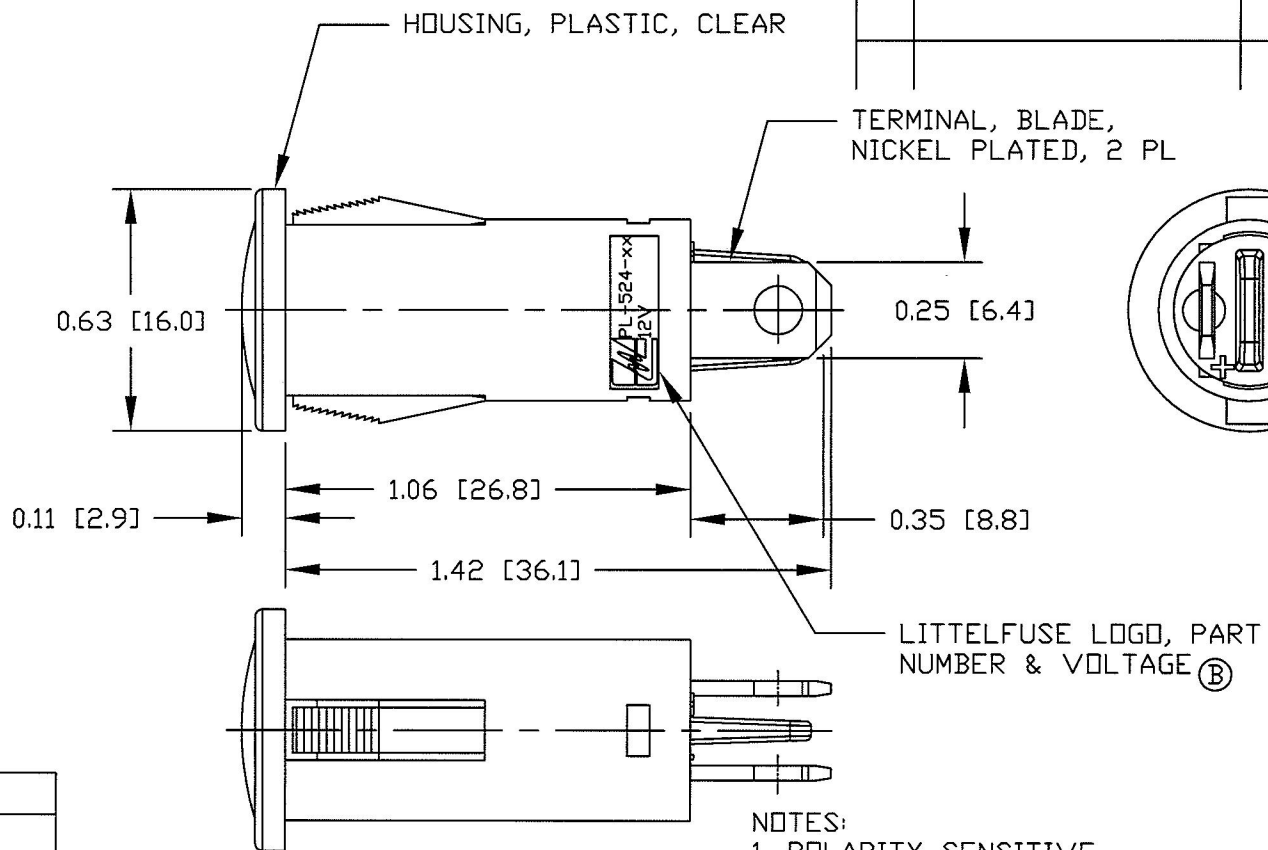


Ø0.49 [Ø12.5]

MOUNTING HOLE



Revision Control Record			
Rev.	Description of Change	ECN No.	Date
A	RELEASED DRAWING	11393	10/28/11
B	ADDED LABEL	12063	2/15/12



PL-524-RC	RED
PL-524-GC	GREEN
PL-524-AC	AMBER
PT NO	LENS & LED COLOR

- NOTES:
1. POLARITY SENSITIVE
 2. RATING: 12Vdc
 3. ILLUMINATION: 500 LUX

Tolerances Unless otherwise specifically noted, the following are default tolerances;

2-places +/- 0.02"
3-places +/- 0.005"
Angular +/- 1°

Metric: Shown in [] refers to equivalent English Dim Tol

"REF." or an Asterisk (*) = Non-Toleranced Reference Dimension, shown for clarification purposes only.

NOTE: All tolerances are Non-Cumulative.

PROPRIETARY INFORMATION
 This Engineering Drawing, and the information contained herein, is proprietary to Cole Hersee Company and may not be disclosed, re-produced, or in any other way transferred or communicated to any other party without the express written consent of an authorized representative of Cole Hersee Company.

- Special Characteristics:**
- CC Critical Characteristic, relating to Safety and/or Regulatory Compliance
 - X Significant Characteristic relating to Process Control
 - KC Control Dimension relating to Form - Fit - Function as defined by Cole Hersee Company and/or the Customer

Cole Hersee Co.
 20 Old Colony Ave., South Boston, MA, 02127
 Phn: 617-268-2100 Web: www.colehersee.com

Description:
PILOT LIGHT LED

Drawing / Part No.: PL-524	Current Rev.: B
--------------------------------------	---------------------------