

**Revision Control Record**

Rev.	Description of Change	ECN No.	Date
A	RELEASED DRAWING	11394	10/28/11

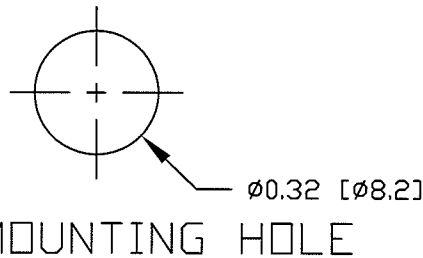
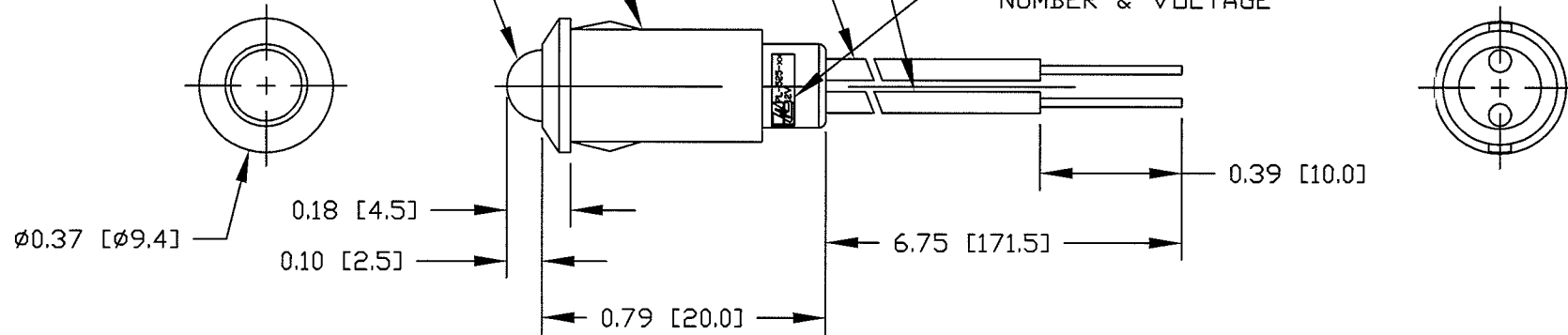
WIRE LEAD, 24 GA, [0.20 MM SQ],  
PVC, YELLOW, UL-1007, NEGITIVE LEAD

WIRE LEAD, 24 GA, [0.20 MM SQ],  
PVC, RED, UL-1007, POSITIVE LEAD

HOUSING, PLASTIC, BLACK

LENS, SEE CHART

LITTELFUSE LOGO, PART  
NUMBER & VOLTAGE



- NOTES:
1. POLARITY SENSITIVE
  2. RATING: 12Vdc
  3. ILLUMINATION: 500 LUX

PL-525-RC	RED
PL-525-GC	GREEN
PL-525-AC	AMBER
PT NO	LENS & LED COLOR

**Tolerances** Unless otherwise specifically noted, the following are default tolerances;

**2-places** +/- 0.02"  
**3-places** +/- 0.005"  
**Angular** +/- 1°

Metric: Shown in [ ] refers to equivalent English Dim Tol

"REF." or an Asterisk (\*) = Non-Toleranced Reference Dimension, shown for clarification purposes only.

NOTE: All tolerances are Non-Cumulative.

**PROPRIETARY INFORMATION**  
This Engineering Drawing, and the information contained herein, is proprietary to Cole Hersee Company and may not be disclosed, re-produced, or in any other way transferred or communicated to any other party without the express written consent of an authorized representative of Cole Hersee Company.

**Special Characteristics:**

- CC Critical Characteristic, relating to Safety and/or Regulatory Compliance
- X Significant Characteristic relating to Process Control
- KC Control Dimension relating to Form - Fit - Function as defined by Cole Hersee Company and/or the Customer



**Cole Hersee Co.**

20 Old Colony Ave., South Boston, MA, 02127  
Phn: 617-268-2100 Web: www.colehersee.com

**Description:**

**PILOT LIGHT, LED**

**Drawing / Part No.:**

**PL-525**

**Current Rev.**

**A**