

# SC3 / SC4 SERIES



## Description

The SC3/SC4 Series are solid-state 3 or 4 channel chasers designed for sequential three circuit flashing of incandescent lamp loads. Unlike electromechanical chasers, there are no contacts to arc, wear, and eventually fail.

## Operation

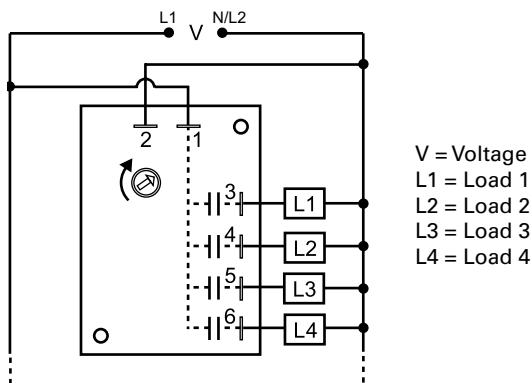
Sequential 3 or 4 circuit flashing of incandescent loads with equal time delays for each load. Upon application of input voltage, Load 1 is energized. At the end of the time delay, Load 1 de-energizes and Load 2 energizes. At the end of the time delay, Load 2 de-energizes and Load 3 energizes. This cycle continues until input voltage is removed. The set time delay (rate) is the timing for the *whole cycle*, for all 3 loads (output contacts).

**Reset:** Removing input voltage resets the unit and cycle.

## Features & Benefits

FEATURES	BENEFITS
<b>Totally solid state and encapsulated</b>	No moving parts to arc and wear out over time and encapsulated to protect against shock, vibration, and humidity
<b>1A steady solid state output</b>	Provides 100 million operations in typical conditions.

## Wiring Diagram



SC4 shown. For SC3, terminal 6 and load L4 are eliminated.

## Accessories

**P1015-13** (AWG 10/12), **P1015-64** (AWG 14/16), **P1015-14** (AWG 18/22) **Female Quick Connect**  
 These 0.25 in. (6.35 mm) female terminals are constructed with an insulator barrel to provide strain relief.

**P1015-18 Quick Connect to Screw Adapter**  
 Screw adapter terminal designed for use with all modules with 0.25 in. (6.35 mm) male quick connect terminals.

## Ordering Information

MODEL	INPUT VOLTAGE	RATING	CHANNEL	FLASH RATE
SC3120A	120VAC	1A	3 Sequential	Adjustable 30 - 30FPM
SC4120A	120VAC	1A	4 Sequential	Adjustable 30 - 30FPM

If you don't find the part you need, call us for a custom product 800-843-8848

# SC3 / SC4 SERIES



## Specifications

### Technical Data

#### Operation

Sequential 3 circuit flashing of incandescent lamp loads. Fixed rate.  
*For sequential 4 circuit and adjustable rates, please contact the factory.*  
 Fixed: 30 operations per minute ( $\pm 10\%$ )

#### Rate

#### Input

#### Voltage

120VAC  $\pm 15\%$

#### AC Line Frequency

50/60 Hz

#### Output

#### Type

Solid state

#### Rating

1A steady state per output

### Mechanical

#### Mounting

Surface mount with two #6 (M3.5 x 0.6) screws

#### Termination

0.25 in. (6.35 mm) male quick connect terminals

#### Dimensions

**H** 88.9 mm (3.5"); **W** 63.5 mm (2.5");  
**D** 31 mm (1.22")

### Protection

#### Circuitry

Encapsulated

#### Dielectric Breakdown

$\geq 2000V$  RMS terminals to mounting surface

#### Insulation Resistance

$\geq 100 M\Omega$

### Environmental

#### Operating/Storage

#### Temperature

-20° to 60°C / -40° to 85°C

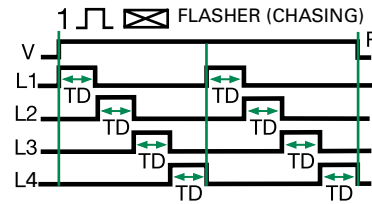
#### Humidity

95% relative, non-condensing

#### Weight

$\approx 5.4$  oz (153 g)

## Flasher Function Diagram



V = Voltage  
 R = Reset  
 L1, L2, L3, L4 = Lamps  
 TD = Time Delay  
 (all are equal)

SC4 shown.

For SC3, L4 is eliminated and L1TD begins as soon as L3TD is completed.