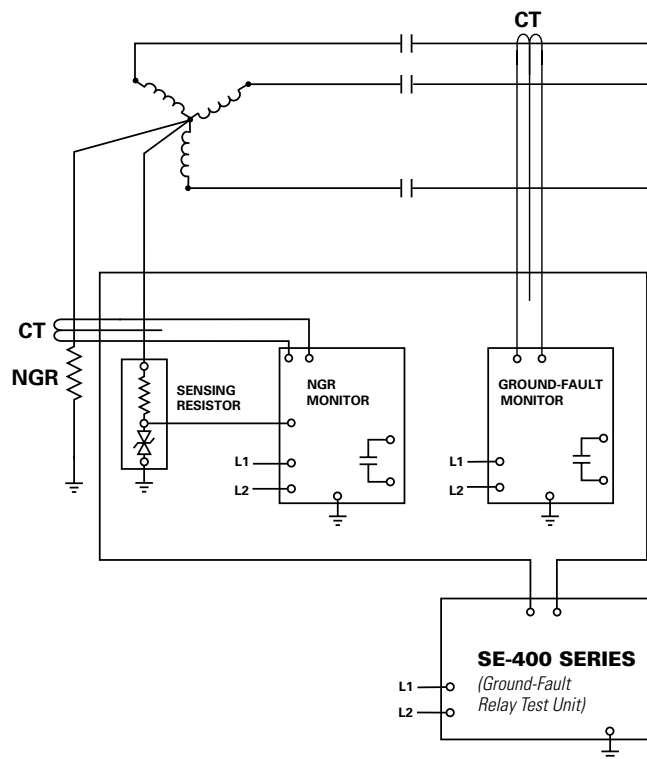


SE-400 SERIES

Ground-Fault-Relay Test Unit



Simplified Circuit Diagram



Description

The SE-400 is a ground-fault-relay test unit designed to test current pickup level, time delay and coordination of ground-fault protection.

The tester injects current through the window of installed ground-fault current transformers to verify the operation of ground-fault monitors and relays.

It is used on substations, motor control centers (MCCs), central distribution panels, switchboards, and test benches to verify relay operation.

The SE-400 tests the entire ground-fault circuit including current transformers, wiring, ground-fault relay and the operation of the interrupting device. It is recommended to test every relay and its current interrupting device annually.

Features & Benefits

FEATURES	BENEFITS
Adjustable Current Setpoint	Current range is 0.5 to 9.9 A
Adjustable Time Duration Setpoint	Duration range is 0.1 to 9.9 s, or continuous output
Small Form Factor	Lightweight and compact for portability
Remote Test Input	Allows test to be initiated from another location

Ordering Information

ORDERING NUMBER	CONTROL POWER
SE-400	120 Vac

Specifications

Input Voltage	84-134 Vac, 50/60 Hz, 80 VA
Dimensions	H 219 mm (8.6"); W 99 mm (3.9"); D 143 mm (5.6")
Output Current Settings	0.5-9.9 A
Output Duration Settings	0.1-9.9 s or continuous
Output Voltage	5.0 Vac maximum
Conformally Coated	Standard feature
Warranty	5 Year
Mounting	Surface, Panel